

110 Series Valves



800.909.4988
info@rankinusa.com

RANKIN 
COMPONENTS THAT AUTOMATE

DESCRIPTION

Solenoid valve 2 way normally closed
direct acting poppet type

CONSTRUCTION

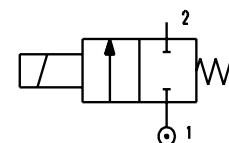
| | |
|------------------|-------------------------|
| Body | AISI 303 |
| Armature tube | AISI 303 |
| Plunger and core | AISI 430FR |
| Springs | AISI 302 |
| Seal material | NBR - FPM - EPDM - PTFE |




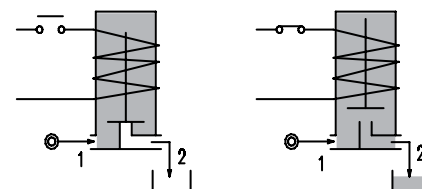
2

FEATURES

Maximum allowable pressure PS 100bar^⑤
Maximum fluid viscosity 25cSt (mm²/s)
Ambient temperature: from -10°C to +80°C according to the coil
Universal mounting position



OPTIONS: Silver shading ring
Versions for use with industrial oxygen
c  us certified coils



ON REQUEST: Versions for use with fluid temperature at -40°C

| CODE ① ② ③ | Connection G ISO 228 | Orifice mm | Kv m ³ /h | Differential pressure bar | | | Nominal power | | | Coil | | Seal ② | Temp. range °C |
|--------------------|----------------------------|---------------|-------------------------|------------------------------|-----|-----|---------------|---------------|------------|--------|-------|-------------|----------------------|
| | | | | Min | Max | | AC Inrush | VA Holding | DC Watt | Series | Width | | |
| | | | | | AC | DC | | | | | | | |
| E110... ..10///... | 1/4" | 1 | 0.04 | 0 | 80 | 80 | 20 | 15 | 10 | 2 | 30 | NBR=B | -10 +90 |
| E110... ..12///... | | 1.2 | 0.05 | 0 | 60 | 60 | | | | | | | |
| E110... ..15///... | | 1.5 | 0.07 | 0 | 30 | 26 | | | | | | | |
| E110... ..20///... | | 2 | 0.1 | 0 | 22 | 20 | | | | | | | |
| E110... ..25///... | | 2.5 | 0.15 | 0 | 16 | 14 | | | | | | | |
| E110... ..30///... | 3/8" | 3 | 0.25 | 0 | 15 | 10 | 40 | 30 | 27 | 5 | 36 | PTFE=W ④ | -10 +180 |
| E110... ..35///... | | 3.5 | 0.32 | 0 | 10 | 8 | | | | | | | |
| E110... ..40///... | 1/2" | 4 | 0.36 | 0 | 8 | 5 | | | | | | | |
| E110... ..45///... | | 4.5 | 0.41 | 0 | 6.5 | 3.5 | | | | | | | |
| E110... ..52///... | 1/4" | 5.2 | 0.47 | 0 | 4 | 1.8 | | | | | | | |
| E110... ..64///... | | 6.4 | 0.64 | 0 | 3 | 1 | | | | | | | |
| E110... ..10///... | | 1 | 0.04 | 0 | 100 | 100 | | | | | | | |
| E110... ..12///... | | 1.2 | 0.05 | 0 | 100 | 100 | | | | | | | |
| E110... ..15///... | | 1.5 | 0.07 | 0 | 80 | 80 | | | | | | | |
| E110... ..20///... | | 2 | 0.1 | 0 | 50 | 40 | | | | | | | |
| E110... ..25///... | | 2.5 | 0.15 | 0 | 35 | 33 | | | | | | | |
| E110... ..30///... | | 3/8" | 3 | 0.25 | 0 | 25 | | | | | | | |
| E110... ..35///... | 3.5 | | 0.32 | 0 | 20 | 19 | | | | | | | |
| E110... ..40///... | 1/2" | 4 | 0.36 | 0 | 16 | 15 | | | | | | | |
| E110... ..45///... | | 4.5 | 0.41 | 0 | 14 | 13 | | | | | | | |
| E110... ..52///... | | 5.2 | 0.47 | 0 | 10 | 9 | | | | | | | |
| E110... ..64///... | | 6.4 | 0.64 | 0 | 5 | 4.5 | | | | | | | |

① Connection: B=1/4" , C=3/8" , D=1/2"

② Seal

③ Coil


④ Maximum allowable leakage <0.2NI/h

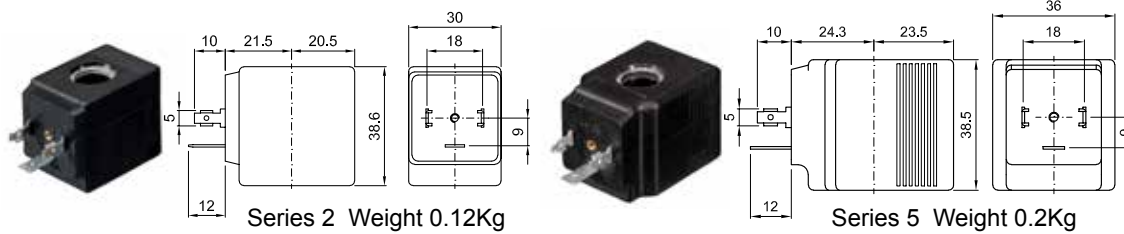
⑤ The maximum allowable pressure PS for steam is 9bar (gauge pressure) with PTFE seals and 2,5bar with EPDM seals

Example: E110BE35///20E EPDM seal , connections G1/4"
Coil 230V 50/60Hz

| COILS ③ | Alternating Current 50/60Hz (V) | | | | | | | Direct Current (V) | | | Electrical connection | Connectors |
|----------------------|------------------------------------|-----|-----|-----|------------|-----|-----|-----------------------|-----|-----|--------------------------|--------------------------|
| | 12 | 24 | 48 | 110 | 220 230 | 240 | 380 | 12 | 24 | 48 | | |
| Series 2 Width 30 | 20A | 20B | 20C | 20D | 20E | 20F | 20G | 200 | 201 | 202 | DIN 43650A | PG9 code 10349000 |
| Series 5 Width 36 | 52A | 52B | 52C | 52D | 52E | 52F | 52G | 520 | 521 | 522 | DIN 43650A | PG11 code 10349001 |

DESCRIPTION
 Insulation class
 Series 2 =F Series 5=H
 Voltage tolerance
 AC +15% -10%
 DC ± 10%
 Protection class
 IP65 with connector fitted
 IP00 without connector

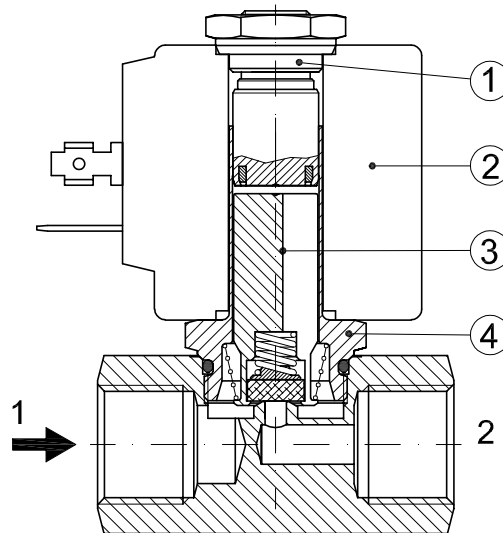
OPTIONS
 Class H insulation (series 2)
 Cable attached
 Special coil voltage
 Special coil powers
 US certified coils



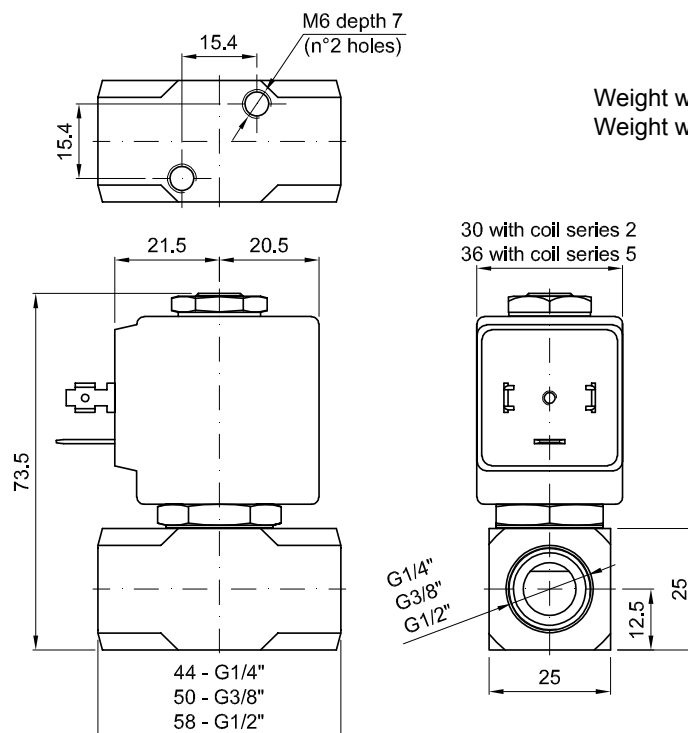
(for coil details see section 8)

SPARE PARTS LIST

1. Coil fixing nut
2. Coil
3. Plunger
4. Armature tube assembly



OVERALL DIMENSION



Weight with coil series 2=0.36Kg
 Weight with coil series 5=0.44Kg