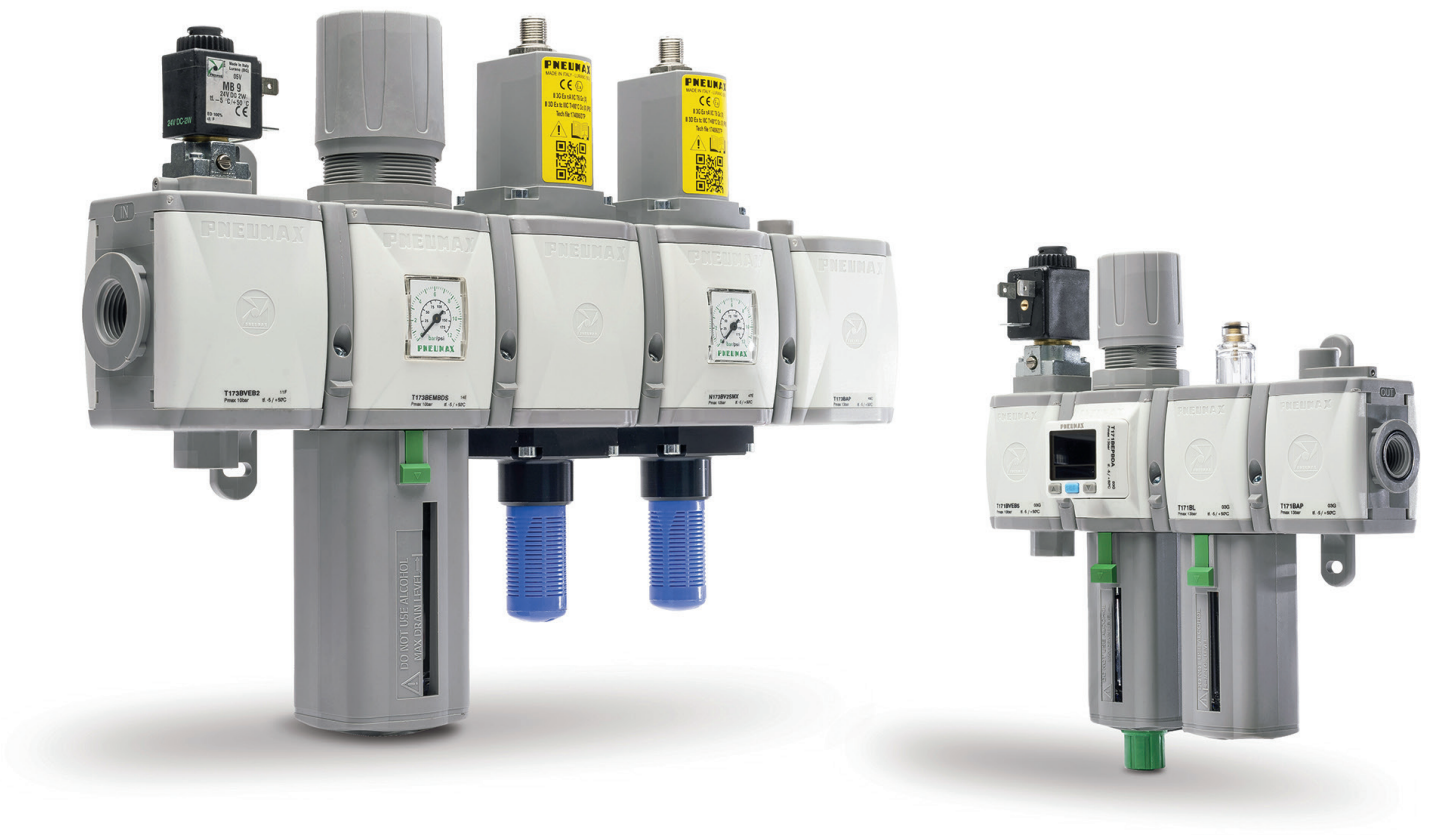




PNEUMAX



SERIES 1700 AIR TREATMENT

Air service units, series 1700

- Modular system
- Available for 4 sizes with connections from 1/8" to 1"
- ATEX certification (II 2GD o II 3GD) on request



2

AIR TREATMENT

Construction and working characteristics

1700 air treatment series includes a wide range of elements for individual use or modular assembling.

Available in 4 sizes e connections from 1/8" to 1".

The bowls are made in zinc alloy body with zinc alloy integrated connections, technopolymer with integrated metal connections for size 1 and aluminium with integrated aluminium connections for sizes 2, 3 and 4.

The bowls are in Nylon, with technopolymer protection for sizes 1, 2, 3 (also available for size 1 without protection). The bowls are in metal with condensation drain display for size 4.

Filters can be equipped with manual or semiautomatic condensation drain; furthermore it's possible to install the automatic draining device inside the bowl.

Wall mounting by means of screws directly through the body and hidden by protective covers.

The pressure regulator handle is lockable in the desired position, the shut-off valves are lockable with a maximum of three pad-locks to prevent accidents or damages due to unauthorized operation.

The lubricator oil flow is adjustable with proper handle and it is visibly checked through the sight dome.

The progressive start-up valve, pneumatically or electropneumatically controlled, allows air supply to the circuit progressively and with adjustable time. The accessories like panel mounted brackets, pressure gauges with different scales and diameters and the air intake blocks are completing the range. They are assembled between the elements to get filtered or filtered non-lubricated air in the system.

Instruction for installation and operation

Pay attention to install a group or a single component with air flow direction according to the arrows and to the following sequence: filter, pressure regulator, lubricator and with bowls downwards. The group can be fixed to the wall by removing the covers, which can be installed again after fixing for covering the screws. Do not exceed the recommended torque while assembling the connectors.

Do not exceed the recommended air pressure and temperature limits. The moisture should not exceed the level marked on the bowl and it can be drawn off and carried by a flexible tube of Ø 6/4 directly connected to the discharge valve handle.

The pressure should be set from minimum to maximum, rotating the adjusting handle clockwise.

As lubricant, we suggest to use oil class FD22 or HG32. Verify that the lubricator is not fed with a flow lower than the minimum operational.

To set the oil flow rotate the proper adjusting handle in order to get one drop of oil every 300-600 liters of air.

The oil flow will be kept automatically and proportionally to the air flow. The oil can be refilled by mean of proper plug or directly into the bowl after having de-pressurized the system. Do not exceed the maximum level indicated on the bowl. For opening the shut-off valve push and rotate clockwise the operating handle. For closing it and consequently discharging the down stream line, rotate the handle counter-clockwise.

Maintenance

Clean the bowls with water and detergent. Do not use alcohol.

The filter element made with HPDE is reusable by blowing and cleaning it with proper detergent. For replacing or cleaning it, remove the bowl and unscrew the baffle spins.

Replace the pressure regulator diaphragm whenever the operation is not correct or there is a continuous air leaking through the relieving (over pressure discharge); reinstall the adjusting mechanism support, locking it with about 8 Nm torque. In case it is necessary to replace the lubricator transparent dome, tight it at 5 Nm torque maximum.



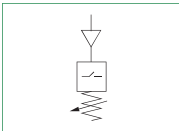
► **Pressure Switch complete with adapter**



- The pressure switch can be set at desired pressure from 2 to 10 bar with electrical connection applied
- The electrical connection is made by mean of a 15 mm connector DIN 43650 type C
- The microswitch contact could be Normally Closed or open (change over switch)

2

AIR TREATMENT



Technical characteristics	Size			
	Size 1	Size 2	Size 3	Size 4
Body and connections type	Aluminium body			
IN / OUT Connections	G1/8"	G3/8"	G1/2"	Ø36
Assembly configuration	Stand alone	Stand alone	Stand alone	Stand alone
Assembly position	Indifferent			
Microswitch capacity (A)	1			
Microswitch Maximum voltage (VAC)	250			
Grade of protection	IP65 (with connector assembled)			

Operational characteristics	Size			
	Size 1	Size 2	Size 3	Size 4
Maximum working pressure (bar)	13			
Working temperature (°C)	-5 ÷ +50			
Pressure range (bar)	2 ÷ 10			

Weights	Size			
	Size 1	Size 2	Size 3	Size 4
Aluminium body version (g)	160	200	220	450

Order codes

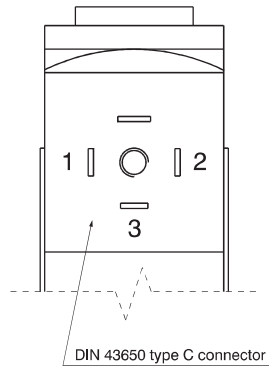
17 **34C**

Type
14A : Pressure switch adapter (only for size 1)
14B : Pressure switch (for all sizes)
14C : Pressure switch complete with adapter (only for size 1)
24A : Pressure switch adapter (only for size 2)
24C : Pressure switch complete with adapter (only for size 2)
34A : Pressure switch adapter (only for size 3)
34C : Pressure switch complete with adapter (only for size 3)
44A : Pressure switch adapter (only for size 4)
44C : Pressure switch complete with adapter (only for size 4)

Example: 1734C
Pressure switch adapter size 3

Electrical connection

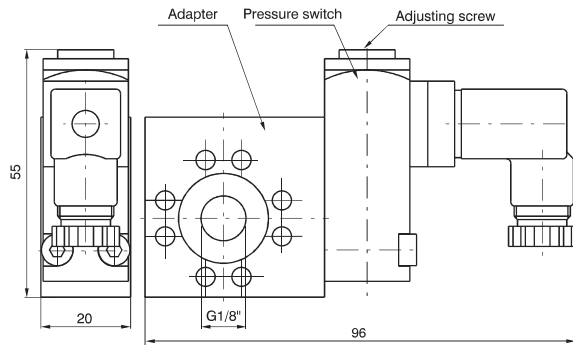
- 1 = neutral
- 2 = N.C. contact
- 3 = N.O. contact



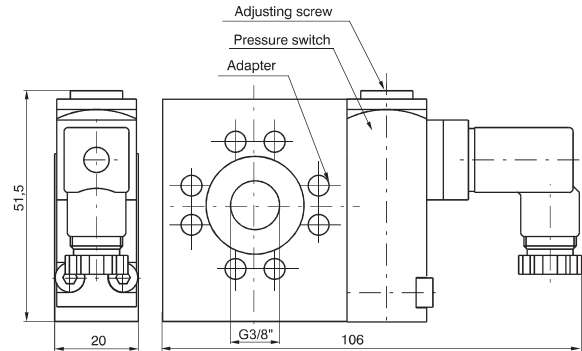
2

AIR TREATMENT

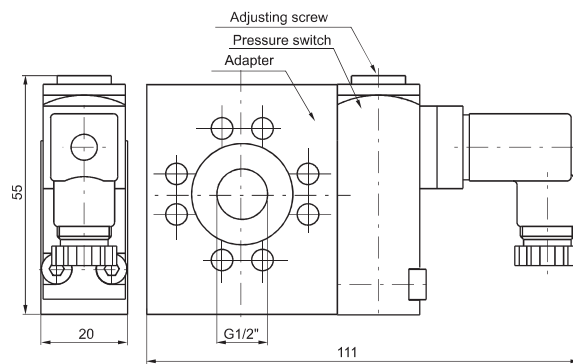
Dimensions



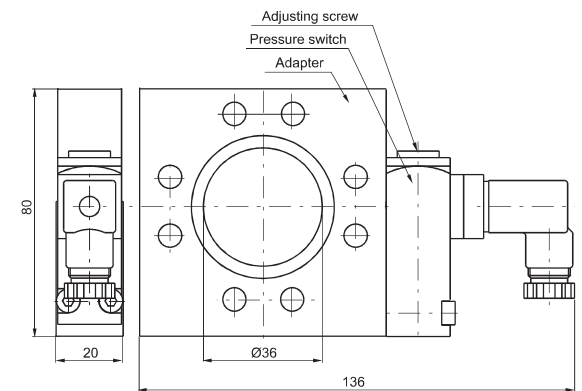
Size 1



Size 2



Size 3



Size 4