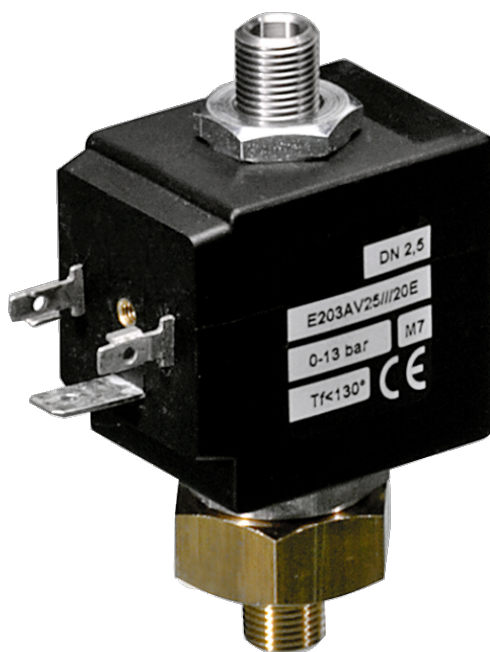


203 Series Valves



800.909.4988
info@rankinusa.com

RANKIN 
COMPONENTS THAT AUTOMATE

DESCRIPTION

Solenoid valve 2 way normally open
direct acting poppet type

CONSTRUCTION

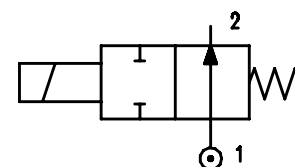
Body	Brass
Armature tube	AISI 303
Plunger and core	AISI 430FR
Springs	AISI 302
Seal material	NBR - FPM - EPDM



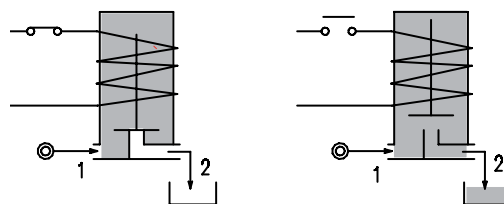
2

FEATURES

Maximum allowable pressure PS 50bar
Maximum fluid viscosity 25cSt (mm²/s)
Ambient temperature: from -10°C to +80°C according to the coil
Universal mounting position



OPTIONS: Electroless nickel plating
c  us certified coils



CODE ① ②	Connection G ISO 228	Orifice mm	Kv m ³ /h	Differential pressure bar			Nominal power			Coil		Temp. range °C	
				Min	Max		AC Inrush	VA Holding	DC Watt	Series	Width		Seal ①
					AC	DC							
E203A...20///...	1/8"	2	0.1	0	16	16	20	15	10	2	30	NBR=B	-10 +90
E203A...25///...		2.5	0.14	0	13	13						EPDM=E	-10 +140
E203A...29///...		2.9	0.17	0	10	10						FPM=V	-10 +140

- ① Seal
- ② Coil

Example: E203AV25///20E FPM seal
Coil 230V 50/60Hz

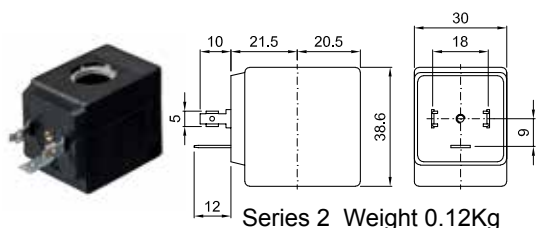
Series 203

COILS ②	Alternating Current 50/60Hz (V)							Direct Current (V)			Electrical connection	Connectors
	12	24	48	110	220 230	240	380	12	24	48		
Series 2 Width 30	20A	20B	20C	20D	20E	20F	20G	200	201	202	DIN 43650A	PG9 code 10349000

DESCRIPTION
 Class F insulation
 Voltage tolerance
 AC +15% -10%
 DC ± 10%
 Protection class
 IP65 with connector fitted
 IP00 without connector
 Continuous service ED100%

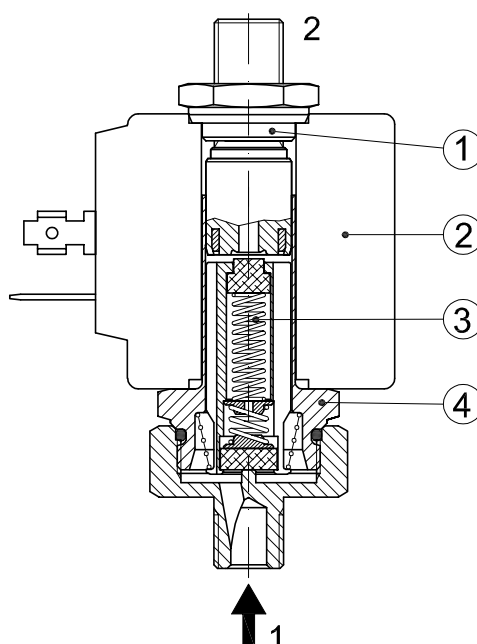
OPTIONS
 Class H insulation
 Cable attached
 Special coil voltage
 Special coil powers
 cULus certified coils

(for coil details see section 8)



SPARE PARTS LIST

1. Coil fixing nut
2. Coil
3. Plunger
4. Armature tube assembly



OVERALL DIMENSION

