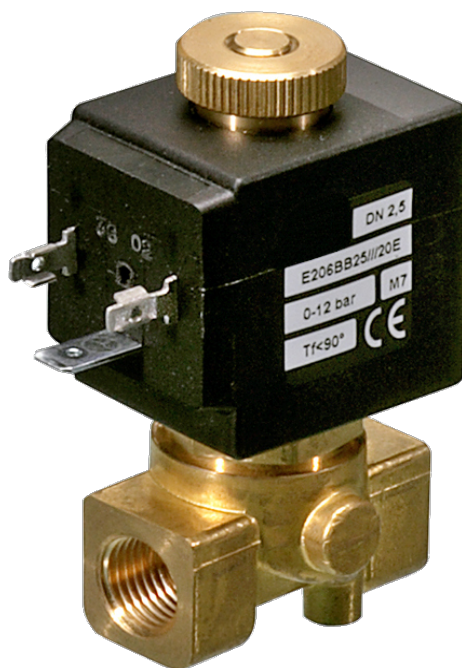


# 206 Series NPT Thread

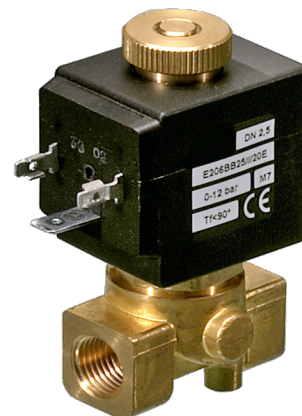


## DESCRIPTION

Solenoid valve 2 way normally open  
direct acting poppet type

## CONSTRUCTION

Body	Brass
Armature tube	Brass
Plunger and core	AISI 430FR
Springs	AISI 302
Seal material	NBR - FPM - EPDM



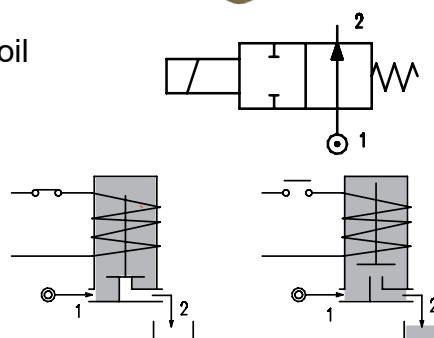
**2**

## FEATURES

Maximum fluid viscosity 25cSt (mm<sup>2</sup>/s)  
Ambient temperature: from +14°F to +176°F according to the coil  
Universal mounting position

**OPTIONS:** Stainless steel armature tube  
Stainless steel seat insert (up to Ø0.177in)  
Electroless nickel plating

**ON REQUEST:** Versions for use with fluid temperature at -40°C  
Manual override



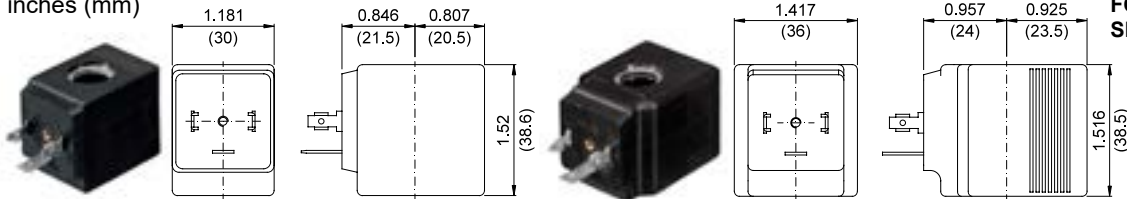
CODE  ① ②	Port Size NPT	Orifice Size (in) (mm)		Flow Factor Cv (gpm)	Operating Pressure Differential (M.O.P.D.) ③				Nominal power			Coil		Seal ①	Temp. range (°F)	
					Min	Max		AC (VA) Inrush Holding	DC (W)	Series	Width (mm)					
						AC (psi) (bar)	DC (psi) (bar)					psi (bar)	psi (bar)			
E206BN...15///...	1/4	0.059	1.5	0.081	0	333	23	-	-	20	15	-	2	30	NBR=B	+14 +194
E206BN...20///...		0.079	2	0.116	0	246	17	-	-							
E206BN...25///...		0.098	2.5	0.173	0	174	12	-	-							
E206BN...35///...		0.138	3.5	0.370	0	101	7	-	-							
E206BN...45///...		0.177	4.5	0.474	0	65	4.5	-	-							
D206BN...15/3/...	1/4	0.059	1.5	0.081	0	-	-	261	18	-	-	10	2	30	EPDM=E	+14 +284
D206BN...20/3/...		0.079	2	0.116	0	-	-	159	11							
D206BN...25/3/...		0.098	2.5	0.173	0	-	-	101	7							
D206BN...35/3/...		0.138	3.5	0.370	0	-	-	58	4							
D206BN...45/3/...		0.177	4.5	0.474	0	-	-	43	3							
E206BN...15///...	1/4	0.059	1.5	0.081	0	333	23	333	23	27	20	14	5	36	FPM=V	+14 +284
E206BN...20///...		0.079	2	0.116	0	246	17	246	17							
E206BN...25///...		0.098	2.5	0.173	0	174	12	174	12							
E206BN...35///...		0.138	3.5	0.370	0	101	7	101	7							
E206BN...45///...		0.177	4.5	0.474	0	65	4.5	65	4.5							

- ① Seal Ordination example: E206BNB35///U25F NBR seal, connection 1/4 NPT  
 ② Coil Coil 240V 60Hz certified cULus and marked CE  
 ③ Safe Working Pressure: 725 psi. Is the line or system pressure to which the valve may be subjected without being damaged.  
 The maximum allowable pressure PS for steam is 36 psi.

COILS Code ②	Alternating Current						Direct Current				Electrical connection	Connectors	DESCRIPTION Insulation class F or H Voltage tolerance ±10% Protection class: IP65 with connector attached IP00 without connector Continuous service ED100%
	24V		120V		240V		12V		24V				
Series 2 Width 30mm	U25B c  us	201	U25D c  us	20D	U25F c  us	20F	U250 c  us	200	U251 c  us	201	DIN 43650A	PG9 code 10349000	OPTIONS Cable attached Special coil voltage Special coil powers
Series 5 Width 36mm	U55B c  us	521	U55D c  us	52D	U55F c  us	52F	U550 c  us	520	U551 c  us	521	DIN 43650A	PG11 code 10349001	

### OVERALL DIMENSIONS

inches (mm)



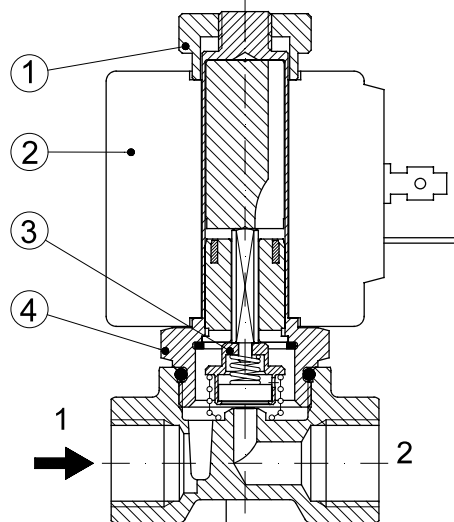
Series 2 Weight 0.26lb (0.12Kg)

Series 5 Weight 0.44lb (0.20Kg)

FOR COIL SPECIFICATION SEE SECTION 6

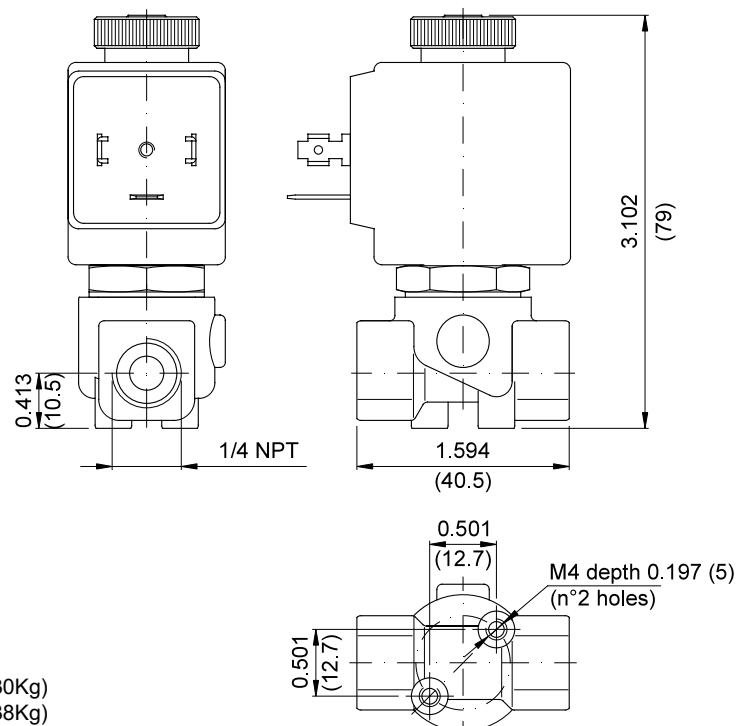
### SPARE PARTS LIST

1. Coil fixing nut
2. Coil
3. Seal assembly
4. Armature tube assembly



### OVERALL DIMENSIONS

inches (mm)



Weight with coil series 2=0.66lb (0.30Kg)

Weight with coil series 5=0.84lb (0.38Kg)

## DESCRIPTION

Solenoid valve 2 way normally open  
direct acting poppet type

## CONSTRUCTION

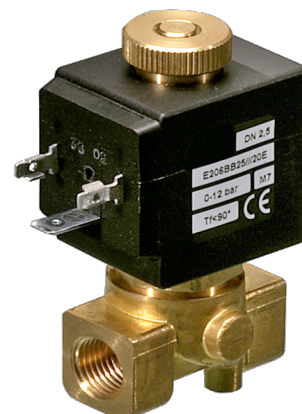
Body	Brass
Armature tube	Brass
Plunger and core	AISI 430FR
Springs	AISI 302
Seal material	NBR - FPM - EPDM

## FEATURES

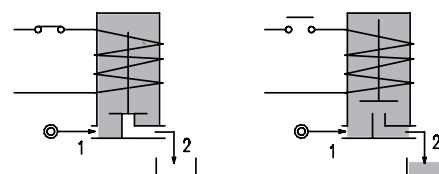
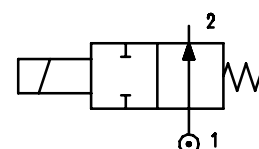
Maximum fluid viscosity 25cSt (mm<sup>2</sup>/s)  
Ambient temperature: from +14°F to +176°F according to the coil  
Universal mounting position

**OPTIONS:** Stainless steel armature tube  
Stainless steel seat insert (up to Ø0.177in)  
Electroless nickel plating

**ON REQUEST:** Versions for use with fluid temperature at -40°C  
Manual override



2



CODE ① ② ③	Port Size NPT	Orifice Size		Flow Factor Cv (gpm)	Operating Pressure Differential (M.O.P.D.) ④				Nominal power			Coil		Seal ②	Temp. range (°F)	
		(in)	(mm)		Min	Max		AC (VA) Inrush Holding	DC (W)	Series	Width (mm)					
						AC (psi) (bar)	DC (psi) (bar)									
E206...N...30///...	3/8 1/2	0.118	3	0.116	0	130	9	-	-	20	15	-	2	30	NBR=B	+14 +194
E206...N...35///...		0.138	3.5	0.173	0	101	7	-	-							
E206...N...40///...		0.157	4	0.370	0	79	5.5	-	-							
E206...N...45///...		0.177	4.5	0.474	0	65	4.5	-	-							
D206...N...30/3/...	3/8 1/2	0.118	3	0.116	0	-	-	94	6.5	-	-	10	2	30	EPDM=E	+14 +284
D206...N...35/3/...		0.138	3.5	0.173	0	-	-	58	4							
D206...N...40/3/...		0.157	4	0.370	0	-	-	50	3.5							
D206...N...45/3/...		0.177	4.5	0.474	0	-	-	43	3							
E206...N...30///...	3/8 1/2	0.118	3	0.116	0	130	9	130	9	27	20	14	5	36	FPM=V	+14 +284
E206...N...35///...		0.138	3.5	0.173	0	101	7	101	7							
E206...N...40///...		0.157	4	0.370	0	79	5.5	79	5.5							
E206...N...45///...		0.177	4.5	0.474	0	65	4.5	65	4.5							

① Port size: C=3/8 D=1/2

② Seal Ordination example: E206CNB30///U25B NBR seal, connection 3/8 NPT

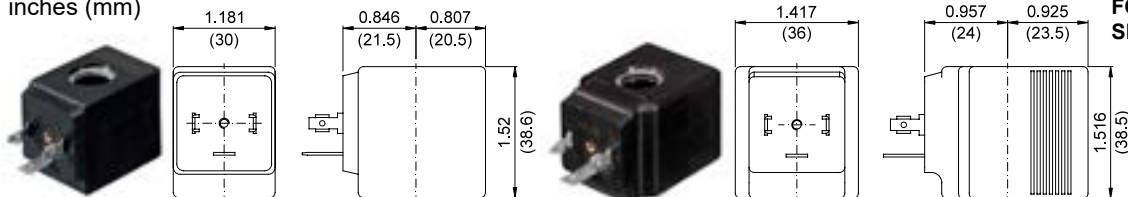
③ Coil Coil 24V 60Hz certified and marked CE

④ Safe Working Pressure: 725 psi. Is the line or system pressure to which the valve may be subjected without being damaged.  
The maximum allowable pressure PS for steam is 36 psi.

COILS Code ②	Alternating Current						Direct Current				Electrical connection	Connectors	DESCRIPTION Insulation class F or H Voltage tolerance ±10% Protection class: IP65 with connector attached IP00 without connector Continuous service ED100%
	24V		120V		240V		12V		24V				
Series 2 Width 30mm	U25B c  us	201	U25D c  us	20D	U25F c  us	20F	U250 c  us	200	U251 c  us	201	DIN 43650A	PG9 code 10349000	OPTIONS Cable attached Special coil voltage Special coil powers
Series 5 Width 36mm	U55B c  us	521	U55D c  us	52D	U55F c  us	52F	U550 c  us	520	U551 c  us	521	DIN 43650A	PG11 code 10349001	

### OVERALL DIMENSIONS

inches (mm)



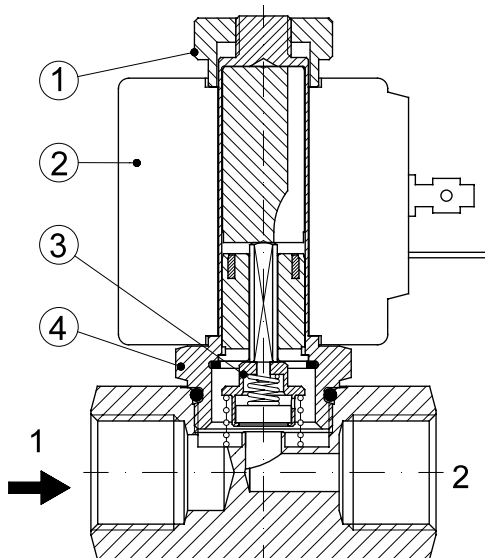
Series 2 Weight 0.26lb (0.12Kg)

Series 5 Weight 0.44lb (0.20Kg)

FOR COIL SPECIFICATION SEE SECTION 6

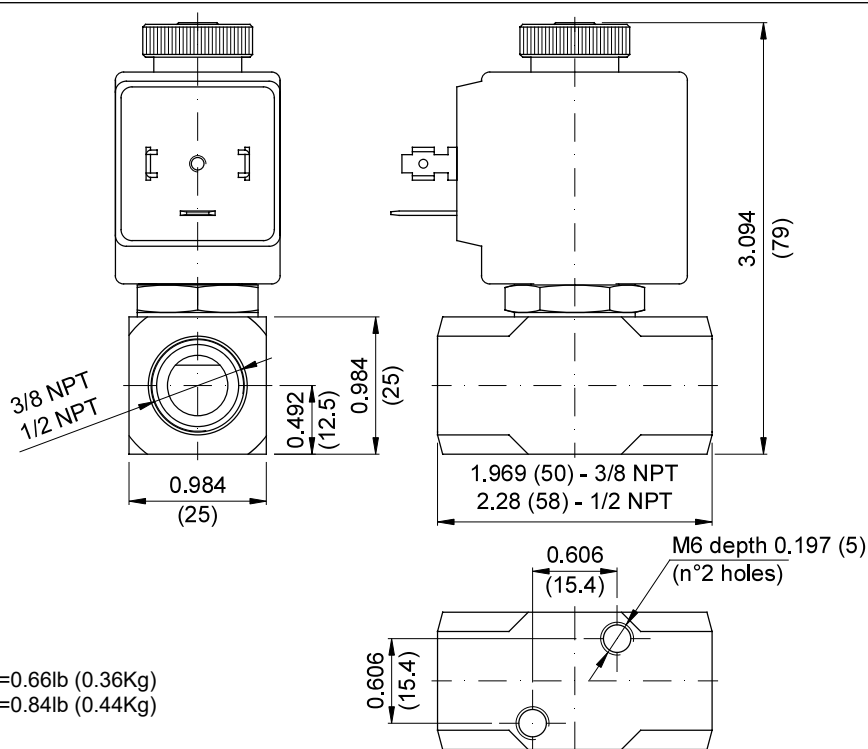
### SPARE PARTS LIST

1. Coil fixing nut
2. Coil
3. Seal assembly
4. Armature tube assembly



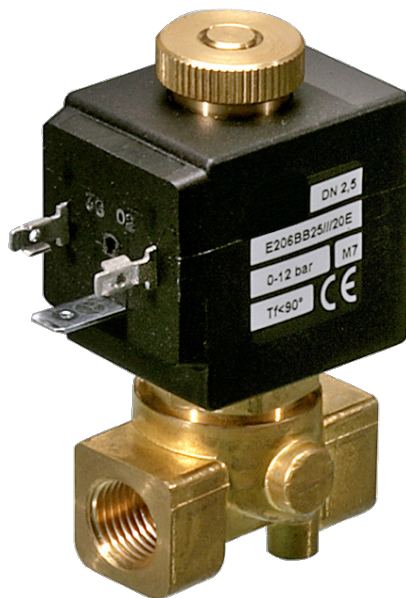
### OVERALL DIMENSIONS

inches (mm)



Weight with coil series 2=0.66lb (0.36Kg)  
Weight with coil series 5=0.84lb (0.44Kg)

# 206 Series BSP Thread

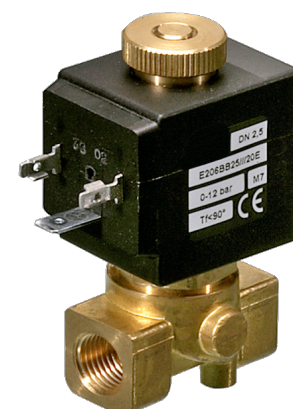


**DESCRIPTION**

Solenoid valve 2 way normally open  
direct acting poppet type

**CONSTRUCTION**

Body	Brass
Armature tube	Brass
Plunger and core	AISI 430FR
Springs	AISI 302
Seal material	NBR - FPM - EPDM



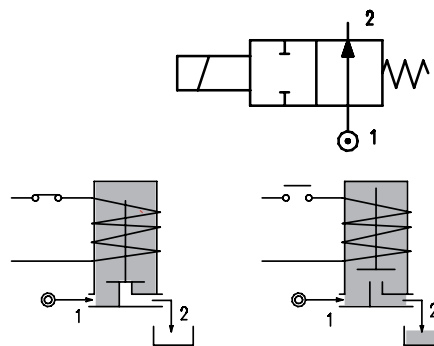
2

**FEATURES**

Maximum allowable pressure PS 50bar<sup>⑤</sup>  
Maximum fluid viscosity 25cSt (mm<sup>2</sup>/s)  
Ambient temperature: from -10°C to +80°C according to the coil  
Universal mounting position

**OPTIONS:** Stainless steel armature tube  
Electroless nickel plating  
c  US certified coils

**ON REQUEST:** Versions for use with fluid temperature at -40°C  
Manual override




CODE ① ② ③	Connection G ISO 228	Orifice mm	Kv m <sup>3</sup> /h	Pressure range bar			Nominal power			Coil		Seal ②	Temp. range °C
				Min	Max		AC Inrush	VA Holding	DC Watt	Series	Width		
					AC	DC							
E206... ..15///...	1/8"	1.5	0.07	0	23	20	15	-	2	30	NBR=B	-10 +90	
E206... ..20///...		2	0.1	0	17								
E206... ..25///...		2.5	0.15	0	12								
E206... ..30///...		3	0.25	0	9								
E206... ..35///...		1/4"	3.5	0.32	0								7
E206... ..40///...			4	0.36	0								5.5
E206... ..45///...			4.5	0.41	0								4.5
E206... ..52///...			5.2	0.47	0								3
D206... ..15/3/...	1/8"	1.5	0.07	0	-	-	-	10	2	30	EPDM=E	-10 +140	
D206... ..20/3/...		2	0.1	0	-								
D206... ..25/3/...		2.5	0.15	0	-								
D206... ..30/3/...		3	0.25	0	-								
D206... ..35/3/...		1/4"	3.5	0.32	0								-
D206... ..40/3/...			4	0.36	0								-
D206... ..45/3/...			4.5	0.41	0								-
D206... ..52/3/...			5.2	0.47	0								-
E206... ..15///...	1/8"	1.5	0.07	0	23	40	30	27	5	36	FPM=V	-10 +140	
E206... ..20///...		2	0.1	0	17								
E206... ..25///...		2.5	0.15	0	12								
E206... ..30///...		3	0.25	0	9								
E206... ..35///...		1/4"	3.5	0.32	0								7
E206... ..40///...			4	0.36	0								5.5
E206... ..45///...			4.5	0.41	0								4.5
E206... ..52///...			5.2	0.47	0								3
E206... ..64///...		6.4	0.64	0	3.5								

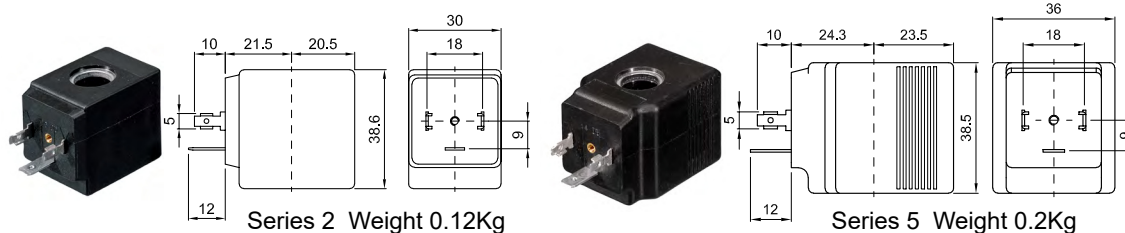
- ① Connection: A=1/8" , B=1/4"
- ② Seal Example: E206BB35///20E 1/4"connections, NBR seals
- ③ Coil Coil 230V 50/60Hz
- ④ The maximum allowable pressure PS for steam is 2.5bar (gauge pressure)

COILS ③	Alternating Current 50/60Hz (V)							Direct Current (V)			Electrical connection	Connectors
	12	24	48	110	220 230	240	380	12	24	48		
Series 2 Width 30	20A	20B	20C	20D	20E	20F	20G	200	201	202	DIN 43650A	PG9 code 10349000
Series 5 Width 36	52A	52B	52C	52D	52E	52F	52G	520	521	522	DIN 43650A	PG11 code 10349001

**DESCRIPTION**  
 Insulation class  
 Series 2 =F Series 5=H  
 Voltage tolerance  
 AC +15% -10%  
 DC ± 10%  
 Protection class  
 IP65 with connector fitted  
 IP00 without connector

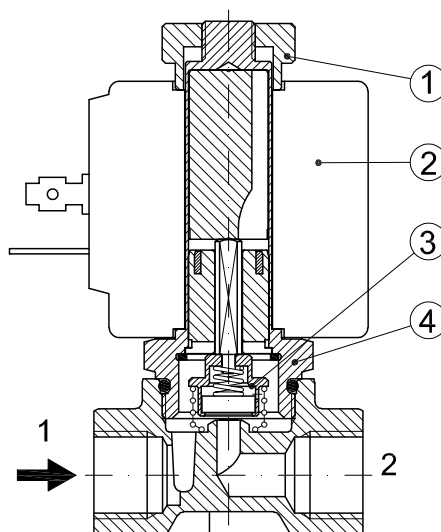
**OPTIONS**  
 Class H insulation (series 2)  
 Cable attached  
 Special coil voltage  
 Special coil powers  
 c  US certified coils

(for coil details see section 8)

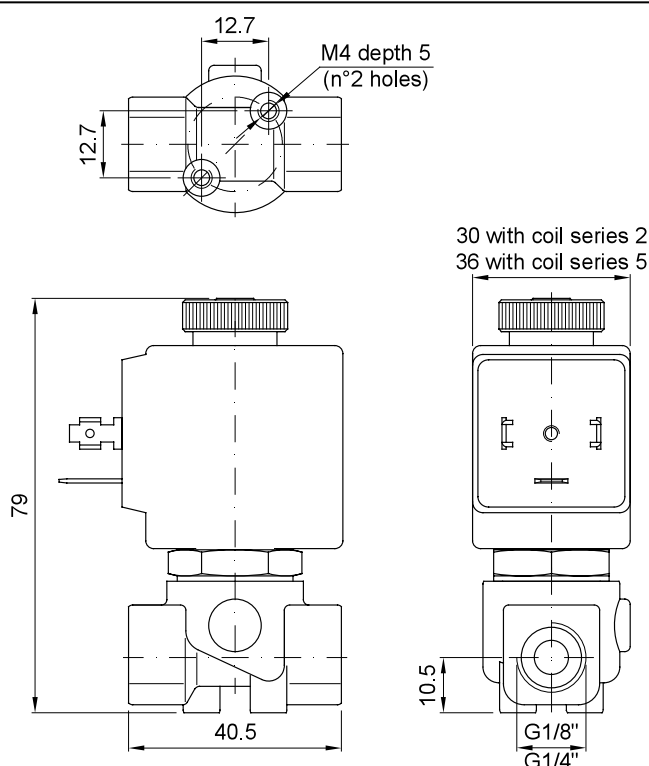


### SPARE PARTS LIST

1. Coil fixing nut
2. Coil
3. Seal assembly
4. Armature tube assembly



### OVERALL DIMENSION



Weight with coil series 2=0.30Kg  
 Weight with coil series 5=0.38Kg



## DESCRIPTION

Solenoid valve 2 way normally open  
direct acting poppet type

## CONSTRUCTION

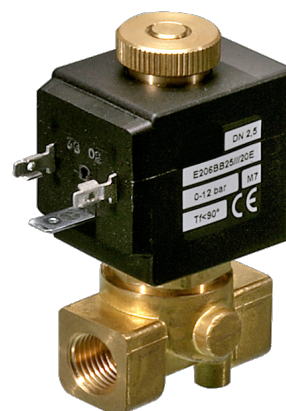
Body	Brass
Armature tube	Brass
Plunger and core	AISI 430FR
Springs	AISI 302
Seal material	NBR - FPM - EPDM

## FEATURES

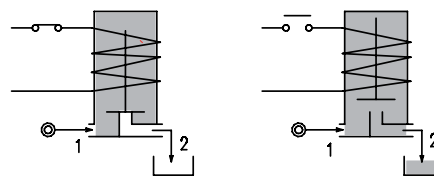
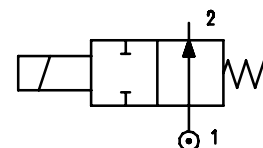
Maximum allowable pressure PS 50bar<sup>③</sup>  
Maximum fluid viscosity 25cSt (mm<sup>2</sup>/s)  
Ambient temperature: from -10°C to +80°C according to the coil  
Universal mounting position

**OPTIONS:** Stainless steel armature tube  
Electroless nickel plating  
c  US certified coils

**ON REQUEST:** Versions for use with fluid temperature at -40°C  
Manual override



2



CODE ① ② ③	Connection G ISO 228	Orifice mm	Kv m <sup>3</sup> /h	Pressure range bar			Nominal power			Coil		Seal ②	Temp. range °C	
				Min	Max		AC Inrush	VA Holding	DC Watt	Series	Width			
					AC	DC								
E206... ..15///...	3/8"	1.5	0.07	0	23	-	20	15	-	2	30	NBR=B	-10 +90	
E206... ..20///...		2	0.1	0	17	-								
E206... ..25///...		2.5	0.15	0	12	-								
E206... ..30///...		3	0.25	0	9	-								
E206... ..35///...		1/2"	3.5	0.32	0	7								-
E206... ..40///...			4	0.36	0	5.5								-
E206... ..45///...			4.5	0.41	0	4.5								-
E206... ..52///...			5.2	0.47	0	3								-
D206... ..15///...	3/8"	1.5	0.07	0	-	18	-	-	10	2	30	EPDM=E	-10 +140	
D206... ..20///...		2	0.1	0	-	11								
D206... ..25///...		2.5	0.15	0	-	7								
D206... ..30/3/...		3	0.25	0	-	6.5								
D206... ..35/3/...		1/2"	3.5	0.32	0	-								4
D206... ..40/3/...			4	0.36	0	-								3.5
D206... ..45/3/...			4.5	0.41	0	-								3
D206... ..52/3/...			5.2	0.47	0	-								2.2
E206... ..15///...	3/8"	1.5	0.07	0	23	23	40	30	27	5	36	FPM=V	-10 +140	
E206... ..20///...		2	0.1	0	17	17								
E206... ..25///...		2.5	0.15	0	12	12								
E206... ..30///...		3	0.25	0	9	9								
E206... ..35///...		1/2"	3.5	0.32	0	7								7
E206... ..40///...			4	0.36	0	5.5								5.5
E206... ..45///...			4.5	0.41	0	4.5								4.5
E206... ..52///...			5.2	0.47	0	3								3
E206... ..64///...		6.4	0.64	0	3.5	3.5								

① Connection: C=3/8", D=1/2"

② Seal

③ Coil

④ The maximum allowable pressure PS for steam is 2.5bar (gauge pressure)

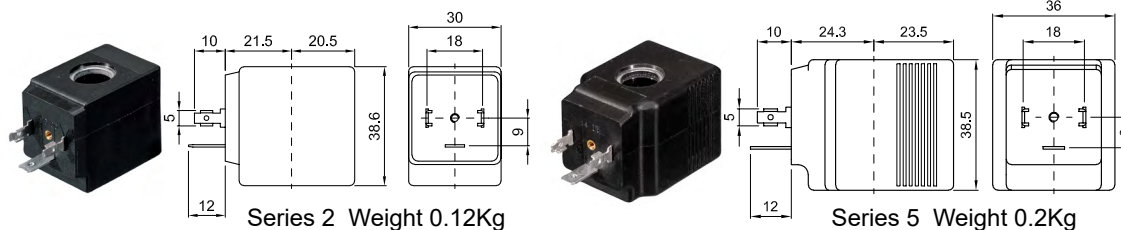
Example: E206CB45///20B 3/8" connection, NBR seal  
Coil 24V 50/60Hz

COILS ③	Alternating Current 50/60Hz (V)							Direct Current (V)			Electrical connection	Connectors
	12	24	48	110	220 230	240	380	12	24	48		
Series 2 Width 30	20A	20B	20C	20D	20E	20F	20G	200	201	202	DIN 43650A	PG9 code 10349000
Series 5 Width 36	52A	52B	52C	52D	52E	52F	52G	520	521	522	DIN 43650A	PG11 code 10349001

**DESCRIPTION**  
 Insulation class  
 Series 2 =F Series 5=H  
 Voltage tolerance  
 AC +15% -10%  
 DC ± 10%  
 Protection class  
 IP65 with connector fitted  
 IP00 without connector

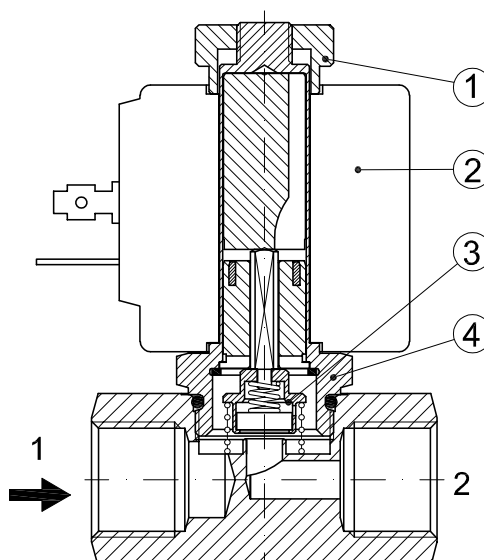
**OPTIONS**  
 Class H insulation (series 2)  
 Cable attached  
 Special coil voltage  
 Special coil powers  
 CE us certified coils

(for coil details see section 8)



### SPARE PARTS LIST

1. Coil fixing nut
2. Coil
3. Seal assembly
4. Armature tube assembly



### OVERALL DIMENSION

