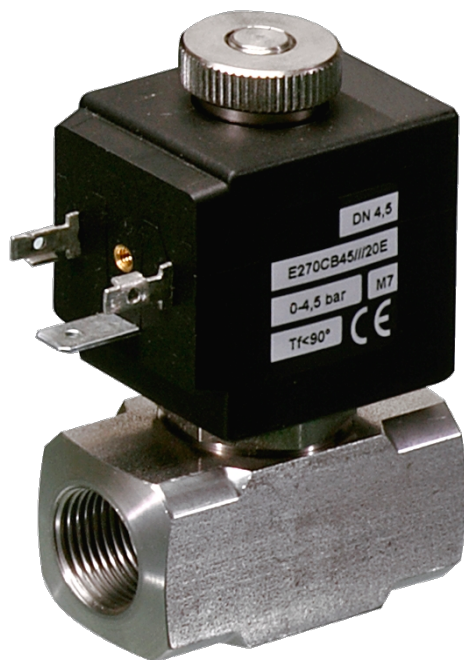


270 Series Valves



800.909.4988
info@rankinusa.com

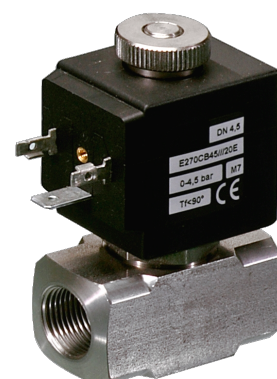
RANKIN 
COMPONENTS THAT AUTOMATE

DESCRIPTION

Solenoid valve 2 way normally open in stainless steel AISI 316 direct acting poppet type

CONSTRUCTION


Body	AISI 316
Armature tube	AISI 316
Plunger and core	AISI 430FR
Shading ring	Silver
Springs	AISI 316
Seal material	NBR - FPM - EPDM - PTFE - FFKM (Kalrez)



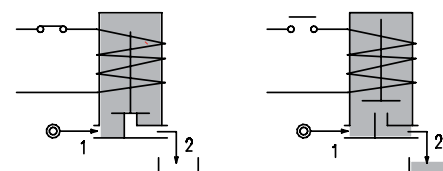
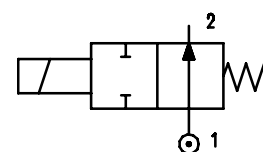
2

FEATURES

- Maximum allowable pressure PS 50bar^④
- Maximum fluid viscosity 25cSt (mm²/s)
- Ambient temperature: from -10°C to +80°C according to the coil
- Universal mounting position

OPTIONS: Versions for use with industrial oxygen
 US certified coils

ON REQUEST: Versions for use with fluid temperature at -40°C



CODE ① ② ③	Connection G ISO 228	Orifice mm	Kv m ³ /h	Differential pressure bar			Nominal power			Coil		Seal ②	Temp. range °C
				Min	Max		AC Inrush	VA Holding	DC Watt	Series	Width		
					AC	DC							
E270... ..15///...	1/4" 3/8" 1/2"	1.5	0.07	0	23	-	20	15	-	2	30	NBR=B	-10 +90
E270... ..20///...		2	0.1	0	17	-							
E270... ..25///...		2.5	0.15	0	12	-							
E270... ..30///...		3	0.25	0	9	-							
E270... ..35///...		3.5	0.32	0	7	-							
E270... ..40///...		4	0.36	0	5.5	-							
E270... ..45///...		4.5	0.41	0	4.5	-							
D270... ..15///...	1/4" 3/8" 1/2"	1.5	0.07	0	-	18	-	-	10	2	30	EPDM=E	-10 +140
D270... ..20///...		2	0.1	0	-	11							
D270... ..25///...		2.5	0.15	0	-	7							
D270... ..30///...		3	0.25	0	-	6.5							
D270... ..35///...		3.5	0.32	0	-	4							
D270... ..40///...		4	0.36	0	-	3.5							
D270... ..45///...		4.5	0.41	0	-	3							
E270... ..15///...	1/4" 3/8" 1/2"	1.5	0.07	0	23	23	40	30	27	5	36	FFKM=K	-10 +180
E270... ..20///...		2	0.1	0	17	17							
E270... ..25///...		2.5	0.15	0	12	12							
E270... ..30///...		3	0.25	0	9	9							
E270... ..35///...		3.5	0.32	0	7	7							
E270... ..40///...		4	0.36	0	5.5	5.5							
E270... ..45///...		4.5	0.41	0	4.5	4.5							

① Connection: B=1/4", C=3/8", D=1/2"

② Seal

③ Coil

Example: D270BB20///201 connection 1/4", NBR seal
Coil 24V DC

④ The maximum allowable pressure PS for steam is 2.5bar (gauge pressure)


Series 270

COILS ②	Alternating Current 50/60Hz (V)							Direct Current (V)			Electrical connection	Connectors
	12	24	48	110	220 230	240	380	12	24	48		
Series 2 Width 30	20A	20B	20C	20D	20E	20F	20G	200	201	202	DIN 43650A	PG9 code 10349000
Series 5 Width 36	52A	52B	52C	52D	52E	52F	52G	520	521	522	DIN 43650A	PG11 code 10349001

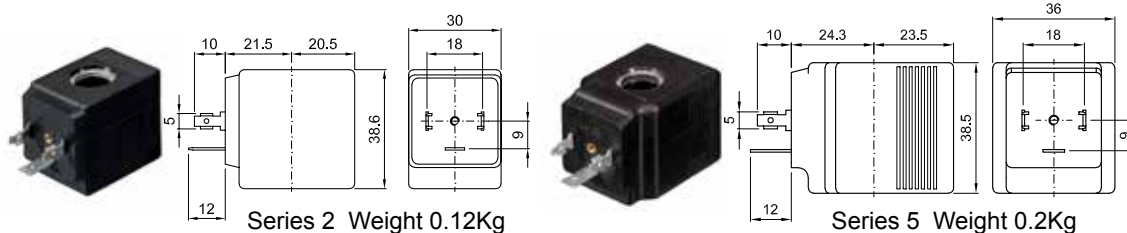
DESCRIPTION

Insulation class
Series 2 =F Series 5=H
Voltage tolerance
AC +15% -10%
DC ± 10%
Protection class
IP65 with connector fitted
IP00 without connector

OPTIONS

Class H insulation (series 2)
Cable attached
Special coil voltage
Special coil powers
c  US certified coils

(for coil details see section 8)

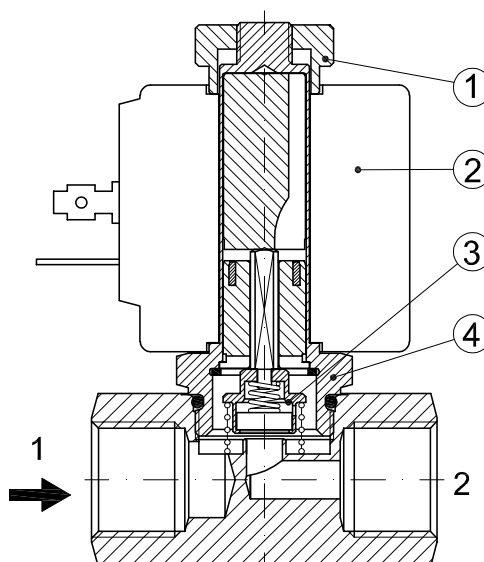


Series 2 Weight 0.12Kg

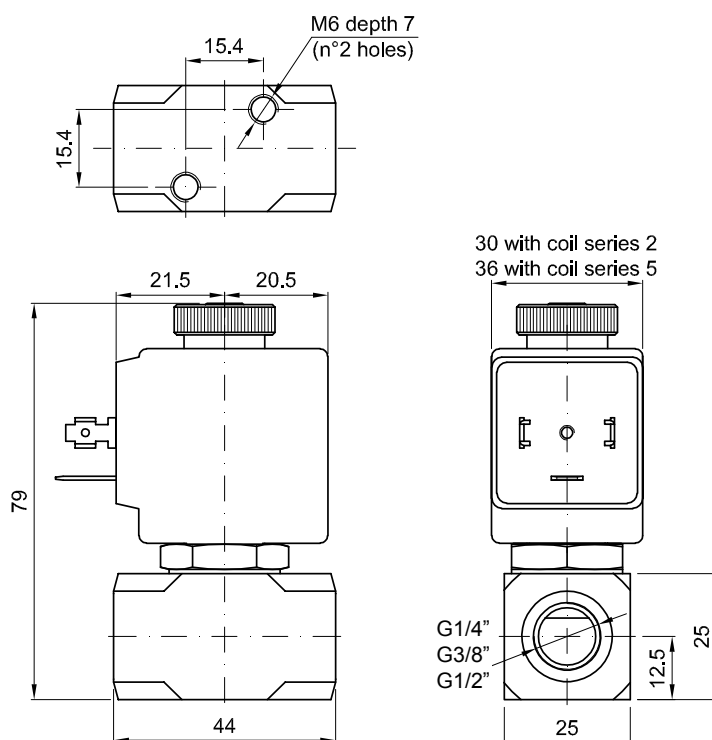
Series 5 Weight 0.2Kg

SPARE PARTS LIST

1. Coil fixing nut
2. Coil
3. Seal assembly
4. Armature tube assembly



OVERALL DIMENSION



Weight with coil series 2=0.30Kg
Weight with coil series 5=0.38Kg