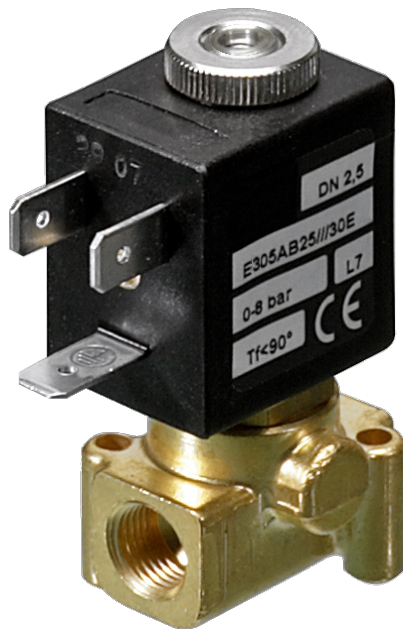


305 Series NPT Thread

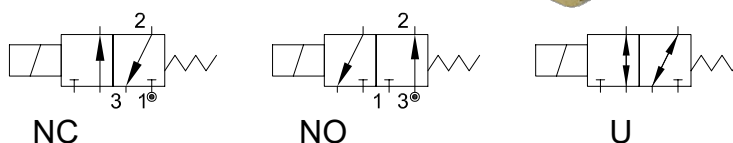
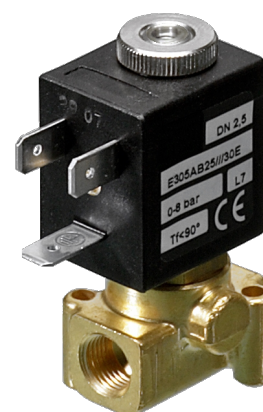


DESCRIPTION

Solenoid valve 3 way
direct acting poppet type

CONSTRUCTION

Body	Brass
Armature tube	Brass
Plunger and core	AISI 430FR
Springs	AISI 302
Seal material	NBR - FPM - EPDM

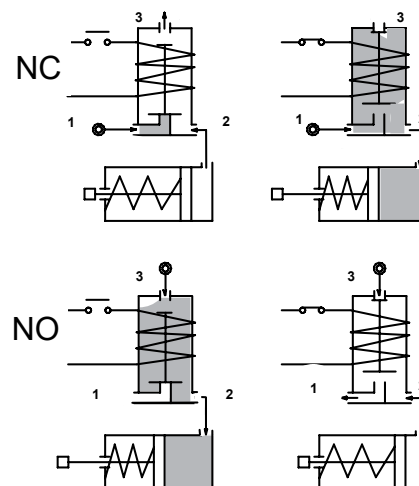


FEATURES

Maximum fluid viscosity 25cSt (mm²/s)
Ambient temperature: from +14°F to +176°F according to the coil
Universal mounting position

OPTIONS:

- Manual override
- Stainless steel armature tube
- Electroless nickel plating
- Exhaust port with hosetail connection
- Series 7 explosion proof coil according to
 - ATEX II 2G Ex mb IIC T6, T5, T4 Gb
 - II 2D Ex mb IIIC T85°C, T100°C, T135°C Db
 - similar to NEC 505 Div.1 Class II IIC T6



ON REQUEST: Versions for use with fluid temperature at -40°C

CODE	Port Size	Orifice Size				Flow Factor Cv	Operating Pressure Differential (M.O.P.D.) ③				Nominal power		Coil		Seal	Temp. range		
		Inlet		Exhaust			Min	Max		Inrush (VA)	DC Holding (W)	Series	Width (mm)					
		(in)	(mm)	(in)	(mm)			(psi)	(bar)					(psi)			(bar)	
NC Normally closed																		
E305AN...12///...	1/8	0.047	1.2	0.059	1.5	0.046	0	217	15	217	15	12	8	6.5	3	22	NBR=B	+14 +194
E305AN...15///...		0.059	1.5	0.059	1.5	0.069	0	145	10	145	10							
E305AN...20///...		0.079	2	0.067	1.7	0.104	0	87	6	87	6							
NO Normally open																		
E305AN...15/S/...	1/8	0.059	1.5	0.059	1.5	0.069	0	145	10	145	10	12	8	6.5	3	22	EPDM=E	+14 +284
E305AN...17/S/...		0.067	1.7	0.079	2	0.081	0	87	6	87	6							
U Universal																		
E305AN...15/G/...	1/8	0.059	1.5	0.059	1.5	0.069	0	87	6	87	6	12	8	6.5	3	22	FPM=V	+14 +284

① Seal

Ordination example: E305ANB15///U35B NBR seal, connection 1/8 NPT

② Coil

Coil 24V 60Hz certified c us and marked CE

③ Safe Working Pressure: M.O.P.D. +10%.

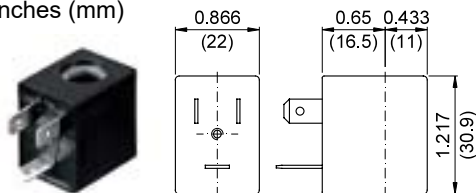
Is the line or system pressure to which the valve may be subjected without being damaged.

COILS Code ②	Alternating Current						Direct Current				Electrical connection	Connectors
	24V		120V		240V		12V		24V			
Series 3 Width 22mm	U35B	30B	U35D	30D	U35F	30F	U350	300	U351	301	DIN 46244	PG9 code 10348000

DESCRIPTION
 Class F or H insulation
 Voltage tolerance ±10%
 Protection class:
 IP65 with connector attached
 IP00 without connector
 Continuous service ED100%

OVERALL DIMENSIONS

inches (mm)



Series 3 Weight 0.11lb (0.05Kg)

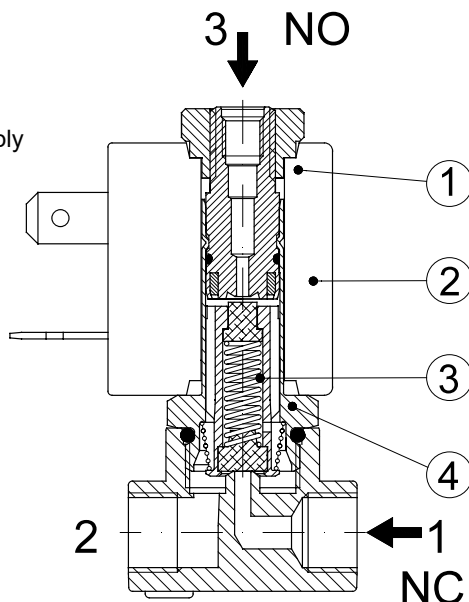
OPTIONS

Cable attached
 Special coil voltage
 Special coil powers

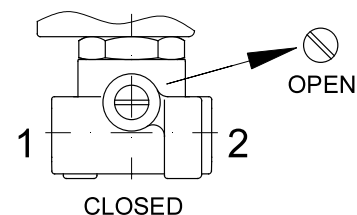
FOR COIL SPECIFICATION SEE SECTION 6

SPARE PARTS LIST

1. Coil fixing nut
2. Coil
3. Plunger assembly
4. Armature tube assembly

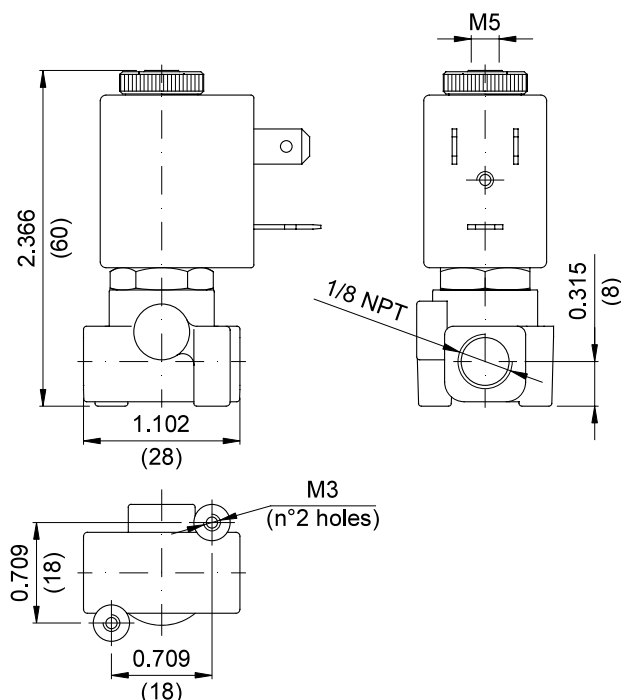


MANUAL OVERRIDE



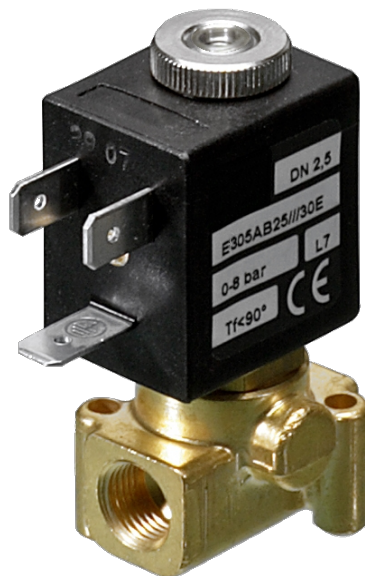
OVERALL DIMENSIONS

inches (mm)



Weight=0.29lb (0.13Kg)

305 Series BSP Thread



DESCRIPTION

Solenoid valve 3 way
direct acting poppet type

CONSTRUCTION

Body	Brass
Armature tube	Brass
Plunger and core	AISI 430FR
Springs	AISI 302
Seal material	NBR - FPM - EPDM




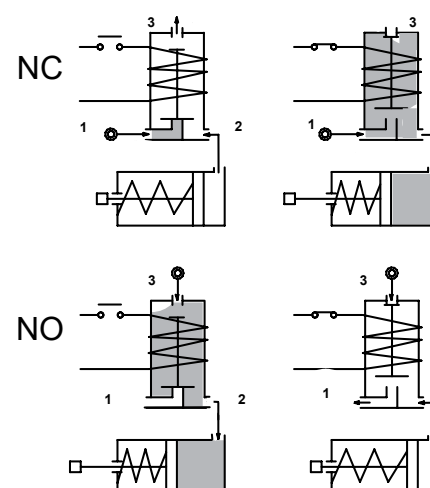
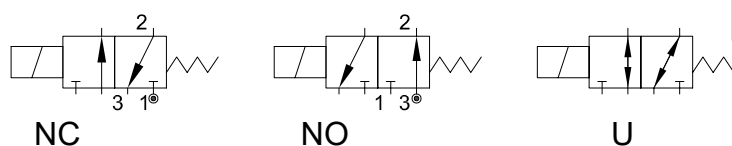
3

FEATURES

- Maximum allowable pressure PS 50bar^③
- Maximum fluid viscosity 25cSt (mm²/s)
- Ambient temperature: from -10°C to +80°C according to the coil
- Universal mounting position

OPTIONS:

- Manual override
- Stainless steel armature tube
- Electroless nickel plating
- Series 7 explosion proof coil according to ATEX - EExmII
- Exhaust port with hosedetail connection
-  US certified coils



ON REQUEST: Versions for use with fluid temperature at -40°C

CODE ① ②	Connection G ISO 228	Orifice mm		Kv m ³ /h	Differential pressure bar			Nominal power			Coil		Seal ①	Temp. range °C		
		1→2	2→3		Min	Max	AC	DC	Inrush	VA	DC	Series			Width	
NC Normally closed																
E305A...12///...	1/8"	1.2	1.5	0.04	0	15	15	12	8	6.5	3	22	NBR=B	-10 +90		
E305A...15///...		1.5	1.5	0.06	0	10	10									
E305A...20///...		2	1.7	0.09	0	6	6									
NO Normally open																
E305A...15/S/...	1/8"	1.5	1.5	0.06	0	10	10	12	8	6.5	3	22			EPDM=E	-10 +140
E305A...17/S/...		1.7	2	0.07	0	6	6									
U Universal																
E305A...15/G/...	1/8"	1.5	1.5	0.06	0	6	6	12	8	6.5	3	22	FPM=V	-10 +140		

- ① Seal
- ② Coil

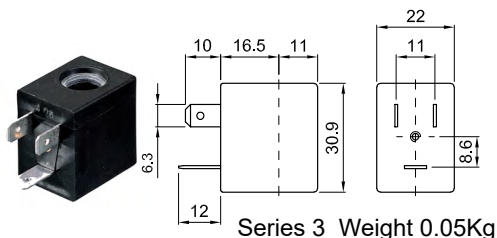
Example: E305AV15///30B FPM seal Coil 24V 50/60Hz, NC
 E305AB15/S/301 NBR seal Coil 24V DC, NO

③ The maximum allowable pressure PS for steam 2,5bar (gauge pressure)

Series 305

COILS ②	Alternating Current 50/60Hz (V)							Direct Current (V)			Electrical connection	Connectors
	12	24	48	110	220 230	240	380	12	24	48		
Series 3 Width 22	30A	30B	30C	30D	30E	30F	30G	300	301	302	DIN 46244	PG9 code 10348000

DESCRIPTION
 Class F insulation
 Voltage tolerance
 AC +15% -10%
 DC ± 10%
 Protection class
 IP65 with connector fitted
 IP00 without connector
 Continuous service ED100%

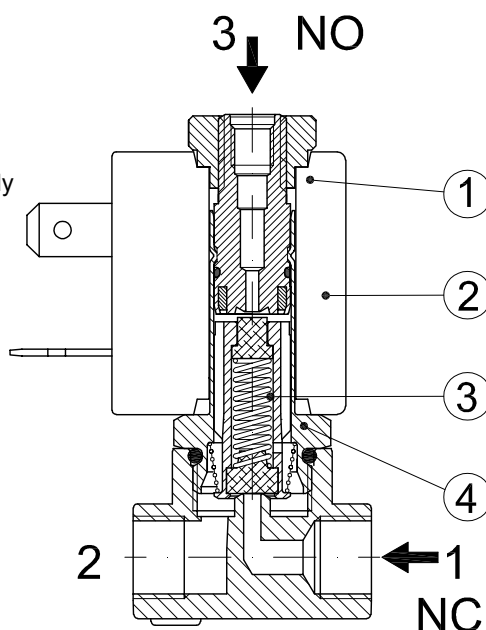


OPTIONS
 Class H insulation
 Cable attached
 Special coil voltage
 Special coil powers
 c us certified coils

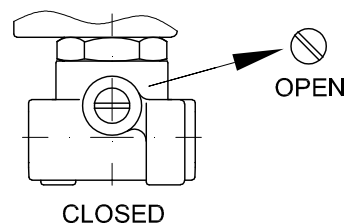
(for coil details see section 8)

SPARE PARTS LIST

1. Coil fixing nut
2. Coil
3. Plunger
4. Armature tube assembly



MANUAL OVERRIDE



OVERALL DIMENSION

