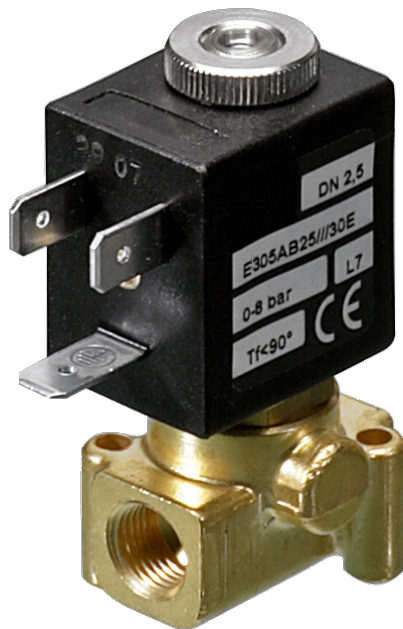


305 Series Valves



800.909.4988
info@rankinusa.com

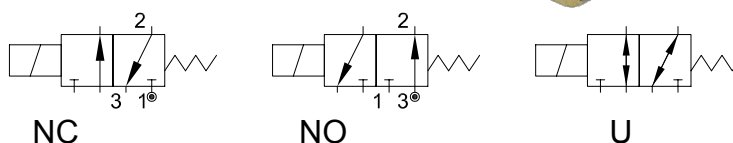
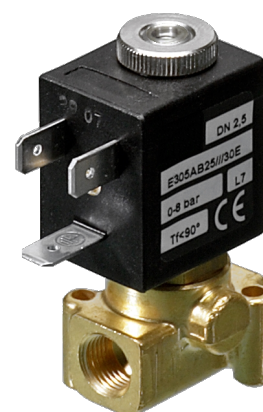
RANKIN 
COMPONENTS THAT AUTOMATE

DESCRIPTION

Solenoid valve 3 way
direct acting poppet type

CONSTRUCTION

Body	Brass
Armature tube	Brass
Plunger and core	AISI 430FR
Springs	AISI 302
Seal material	NBR - FPM - EPDM

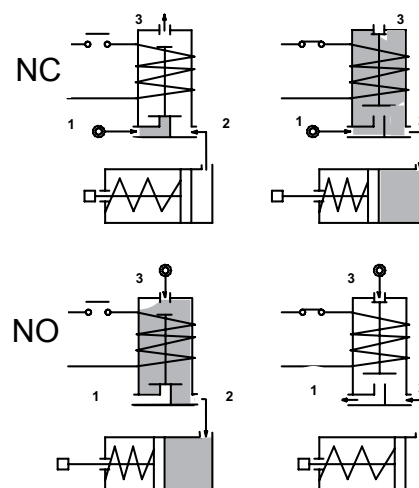


FEATURES

Maximum fluid viscosity 25cSt (mm²/s)
Ambient temperature: from +14°F to +176°F according to the coil
Universal mounting position

OPTIONS:

- Manual override
- Stainless steel armature tube
- Electroless nickel plating
- Exhaust port with hosetail connection
- Series 7 explosion proof coil according to
 - ATEX II 2G Ex mb IIC T6, T5, T4 Gb
 - II 2D Ex mb IIIC T85°C, T100°C, T135°C Db
 - similar to NEC 505 Div.1 Class II IIC T6



ON REQUEST: Versions for use with fluid temperature at -40°C

CODE	Port Size	Orifice Size				Flow Factor Cv	Operating Pressure Differential (M.O.P.D.) ③				Nominal power		Coil		Seal	Temp. range		
		Inlet		Exhaust			Min	Max		AC (VA)	DC (W)	Series	Width (mm)					
		(in)	(mm)	(in)	(mm)			(psi)	(bar)					(psi)			(bar)	Inrush
NC Normally closed																		
E305AN...12///...	1/8	0.047	1.2	0.059	1.5	0.046	0	217	15	217	15	12	8	6.5	3	22	NBR=B	+14 +194
E305AN...15///...		0.059	1.5	0.059	1.5	0.069	0	145	10	145	10							
E305AN...20///...		0.079	2	0.067	1.7	0.104	0	87	6	87	6							
NO Normally open																		
E305AN...15/S/...	1/8	0.059	1.5	0.059	1.5	0.069	0	145	10	145	10	12	8	6.5	3	22	EPDM=E	+14 +284
E305AN...17/S/...		0.067	1.7	0.079	2	0.081	0	87	6	87	6							
U Universal																		
E305AN...15/G/...	1/8	0.059	1.5	0.059	1.5	0.069	0	87	6	87	6	12	8	6.5	3	22	FPM=V	+14 +284

① Seal

Ordination example: E305ANB15///U35B NBR seal, connection 1/8 NPT

② Coil

Coil 24V 60Hz certified c us and marked CE

③ Safe Working Pressure: M.O.P.D. +10%.

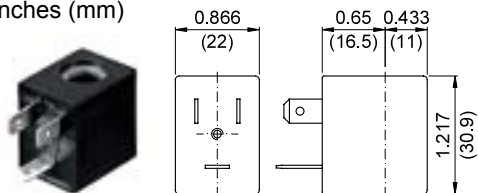
Is the line or system pressure to which the valve may be subjected without being damaged.

COILS Code ②	Alternating Current						Direct Current				Electrical connection	Connectors
	24V		120V		240V		12V		24V			
Series 3 Width 22mm	U35B	30B	U35D	30D	U35F	30F	U350	300	U351	301	DIN 46244	PG9 code 10348000

DESCRIPTION
 Class F or H insulation
 Voltage tolerance ±10%
 Protection class:
 IP65 with connector attached
 IP00 without connector
 Continuous service ED100%

OVERALL DIMENSIONS

inches (mm)



Series 3 Weight 0.11lb (0.05Kg)

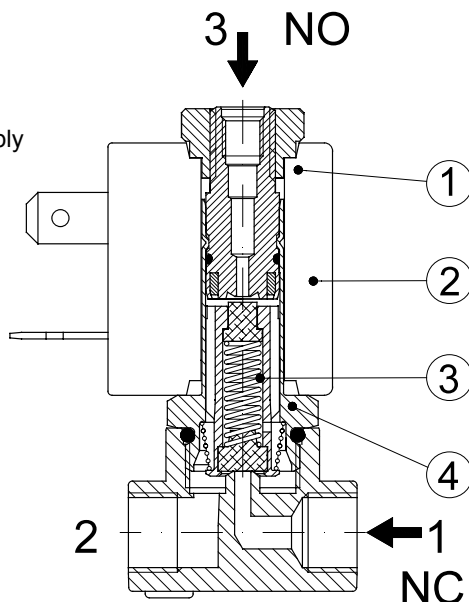
OPTIONS

Cable attached
 Special coil voltage
 Special coil powers

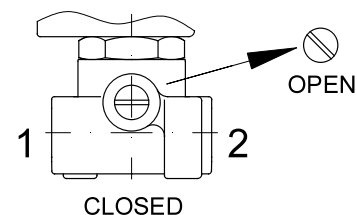
FOR COIL SPECIFICATION SEE SECTION 6

SPARE PARTS LIST

1. Coil fixing nut
2. Coil
3. Plunger assembly
4. Armature tube assembly

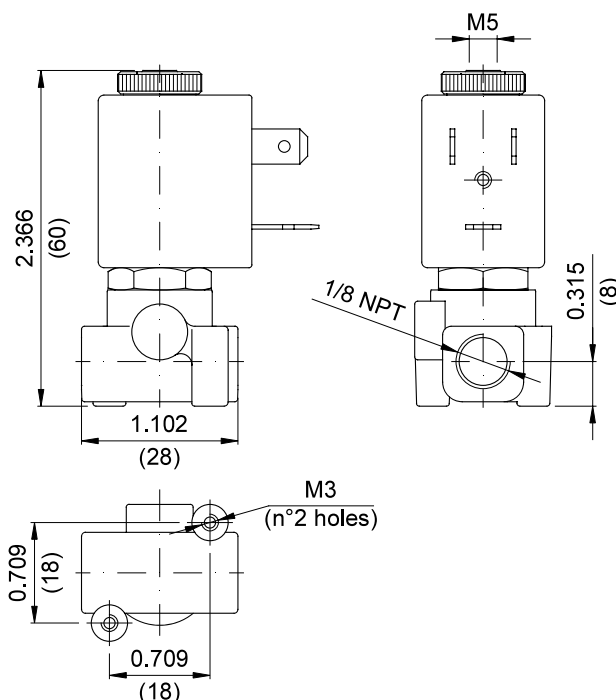


MANUAL OVERRIDE



OVERALL DIMENSIONS

inches (mm)



Weight=0.29lb (0.13Kg)