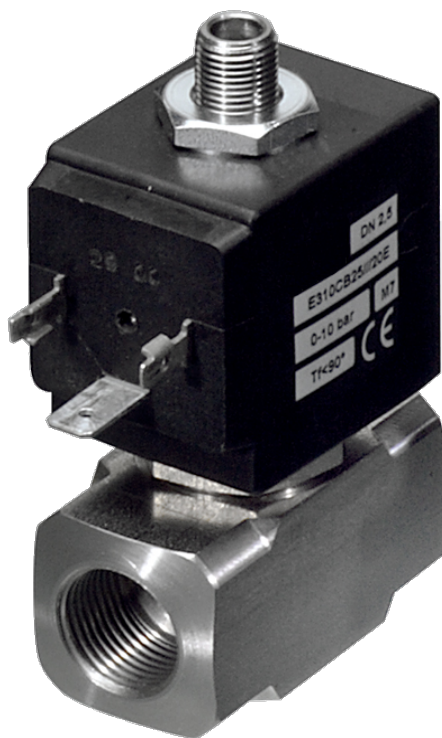


# 310 Series Valves



800.909.4988  
info@rankinusa.com

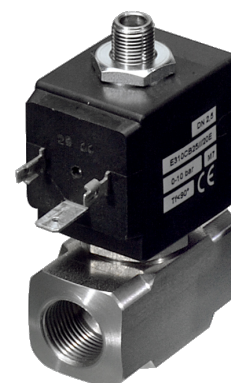
**RANKIN**   
COMPONENTS THAT AUTOMATE

## DESCRIPTION

Solenoid valve 3 way  
direct acting poppet type

## CONSTRUCTION

Body	AISI 303
Armature tube	AISI 303
Plunger and core	AISI 430FR
Springs	AISI 302
Seal material	NBR - FPM - EPDM



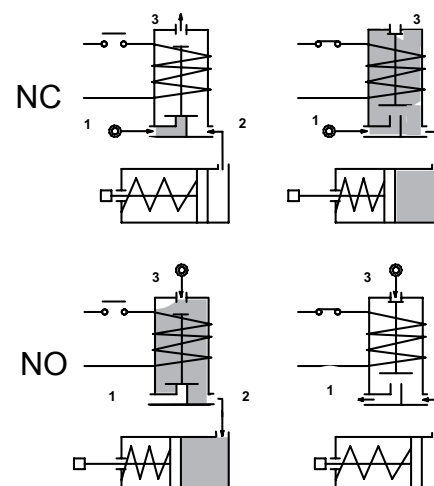
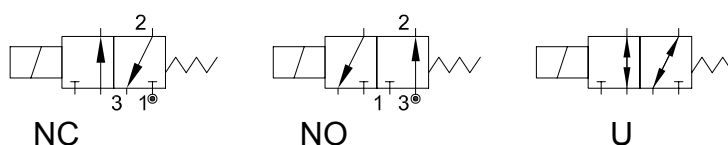
**3**

## FEATURES

Maximum fluid viscosity 25cSt (mm<sup>2</sup>/s)  
Ambient temperature: from +14°F to +176°F according to the coil  
Universal mounting position

**OPTIONS:** Silver shading ring

**ON REQUEST:** Versions for use with fluid temperature at -40°C



CODE	Port Size	Orifice Size				Flow Factor Cv	Operating Pressure Differential (M.O.P.D.) ③				Nominal power		Coil		Seal	Temp. range		
		Inlet		Exhaust			Min	Max		Inrush	Holding	Series	Width					
		(in)	(mm)	(in)	(mm)			(psi)	(bar)					(psi)			(bar)	(VA)
<b>NC Normally closed</b>																		
E310BN...20///...	1/4	0.079	2	0.094	2.4	0.127	0	188	13	188	13	20	15	10	2	30	NBR=B	+14 +194
E310BN...25///...		0.098	2.5	0.094	2.4	0.185	0	145	10	145	10							
<b>NO Normally open</b>																		
E310BN...25/S/...	1/4	0.094	2.4	0.098	2.5	0.185	0	130	9	130	9	20	15	10	2	30	EPDM=E	+14 +284
E310BN...29/S/...		0.114	2.9	0.118	3	0.231	0	94	6.5	94	6.5							
<b>U Universal</b>																		
E310BN...25/G/...	1/4	0.098	2.5	0.094	2.4	0.185	0	72.5	5	58	4	20	15	10	2	30	FPM=V	+14 +284

① Seal Ordination example: E310BNB25///U25B NBR seal, connection 1/4 NPT , NC version

② Coil Coil 24V 60Hz certified c us and marked

③ Safe Working Pressure: M.O.P.D. +10%.

Is the line or system pressure to which the valve may be subjected without being damaged.

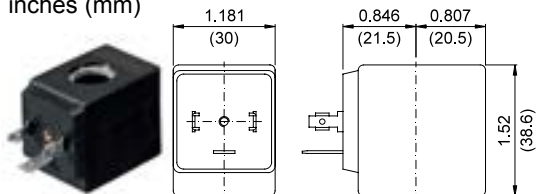
# Series 310

COILS Code ②	Alternating Current						Direct Current				Electrical connection	Connectors
	24V		120V		240V		12V		24V			
Series 2 Width 30mm	U25B c  us	201	U25D c  us	20D	U25F c  us	20F	U250 c  us	200	U251 c  us	201	DIN 43650A	PG9 code 10349000

**DESCRIPTION**  
 Insulation class F or H  
 Voltage tolerance  $\pm 10\%$   
 Protection class:  
 IP65 with connector attached  
 IP00 without connector  
 Continuous service ED100%

## OVERALL DIMENSIONS

inches (mm)



Series 2 Weight 0.26lb (0.12Kg)

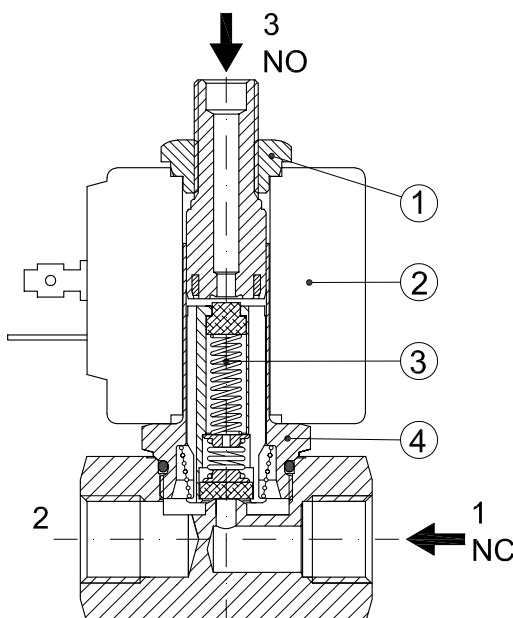
## OPTIONS

Cable attached  
 Special coil voltage  
 Special coil powers

**FOR COIL SPECIFICATION SEE SECTION 6**

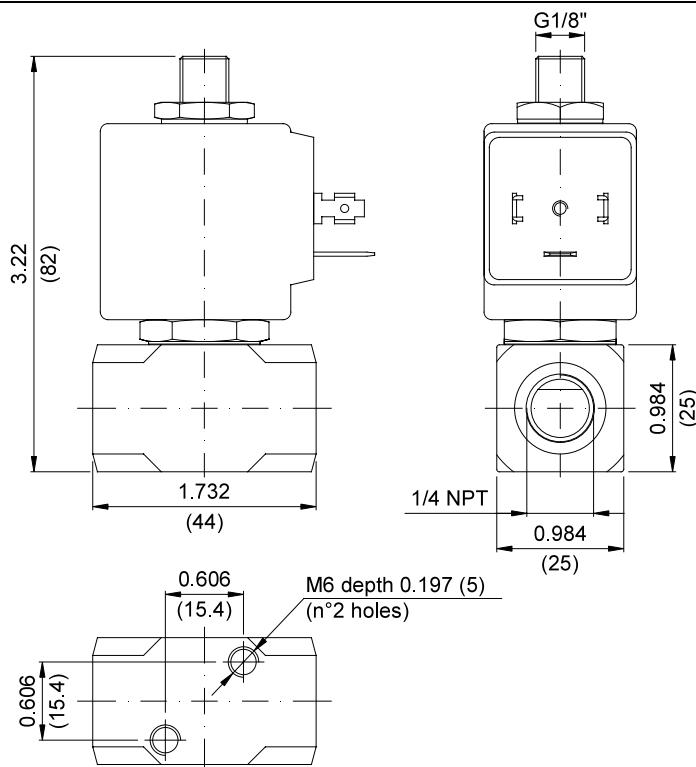
## SPARE PARTS LIST

1. Coil fixing nut
2. Coil
3. Plunger assembly
4. Armature tube assembly



## OVERALL DIMENSIONS

inches (mm)



Weight=0.79lb (0.36Kg)