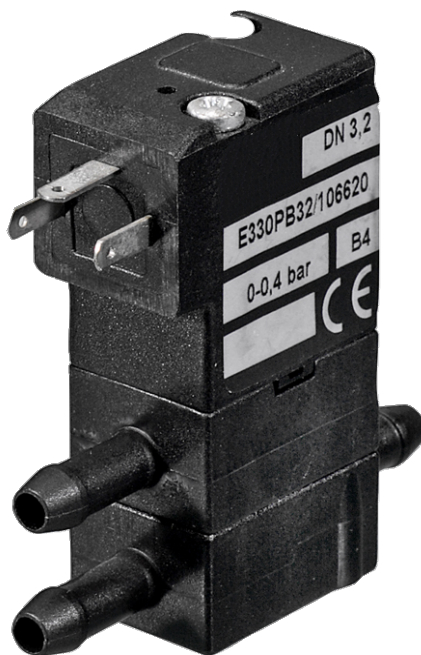


330 Series Valves



800.909.4988
info@rankinusa.com

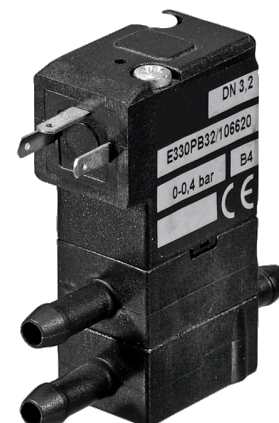
RANKIN 
COMPONENTS THAT AUTOMATE

DESCRIPTION

Solenoid valve 3 way direct acting with dry armature.
No metal parts in contact with the media.

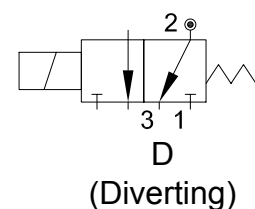
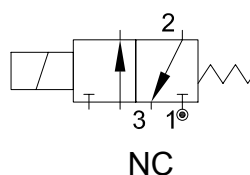
CONSTRUCTION

Body Acetal copolymer
Seal material NBR



FEATURES

Maximum allowable pressure PS 0,5bar
Maximum fluid viscosity 25cSt (mm²/s)
Ambient temperature -10°C +45°C
Maximum fluid temperature +50°C
Universal mounting position



3

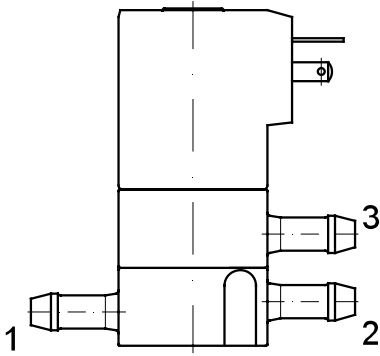
ELECTRICAL OPERATING FEATURES

Duty cycle ED100%
Insulation class F
Voltage tolerance ±5%
Protection class IP65 with connectore fitted

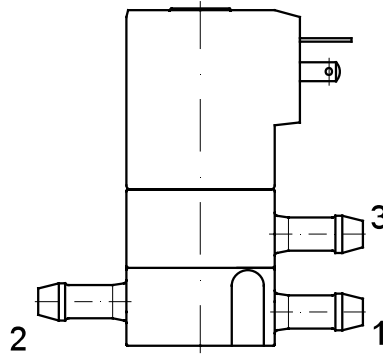
CODE ①	Hosetail connection	Orifice mm	Kv m ³ /h	Differential pressure bar		Nominal power			Voltage		Connector
				Min	Max	AC Inrush	VA Holding	DC Watt	AC	DC	
E330PB32/.../106620	Ø5.5	3.2	0.2	0	0.4	6.5	4.5	-	230	-	PG7 10348040
D330PB32/.../111140	Ø5.5	3.2	0.2	0	0.4	-	-	4	-	12	
D330PB32/.../111150	Ø5.5	3.2	0.2	0	0.4	-	-	4	-	24	

① Configuration

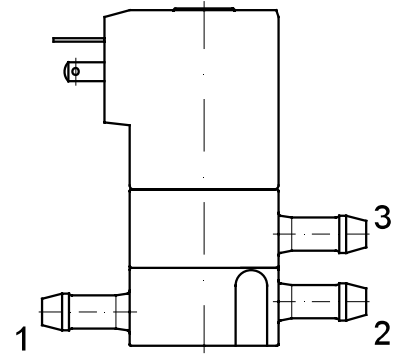
Example: D330PB32///111140 3/2 NC Coil 12V DC
D330PB32/D/111150 Diverting Coil 24V DC



code **///**
3/2 NC



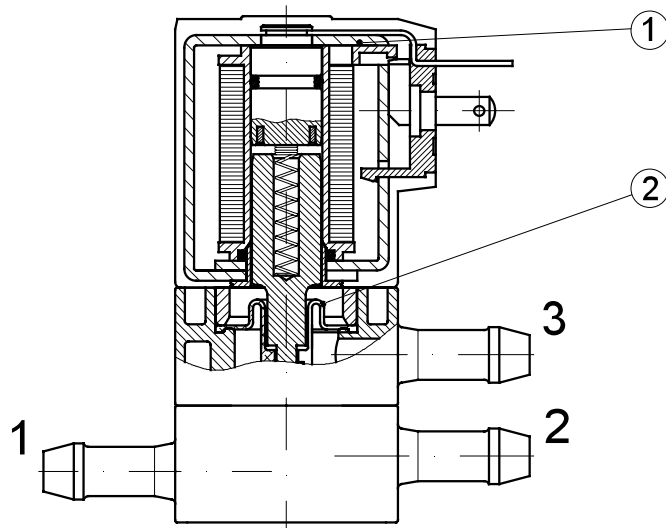
code **/D/**
DIVERTING



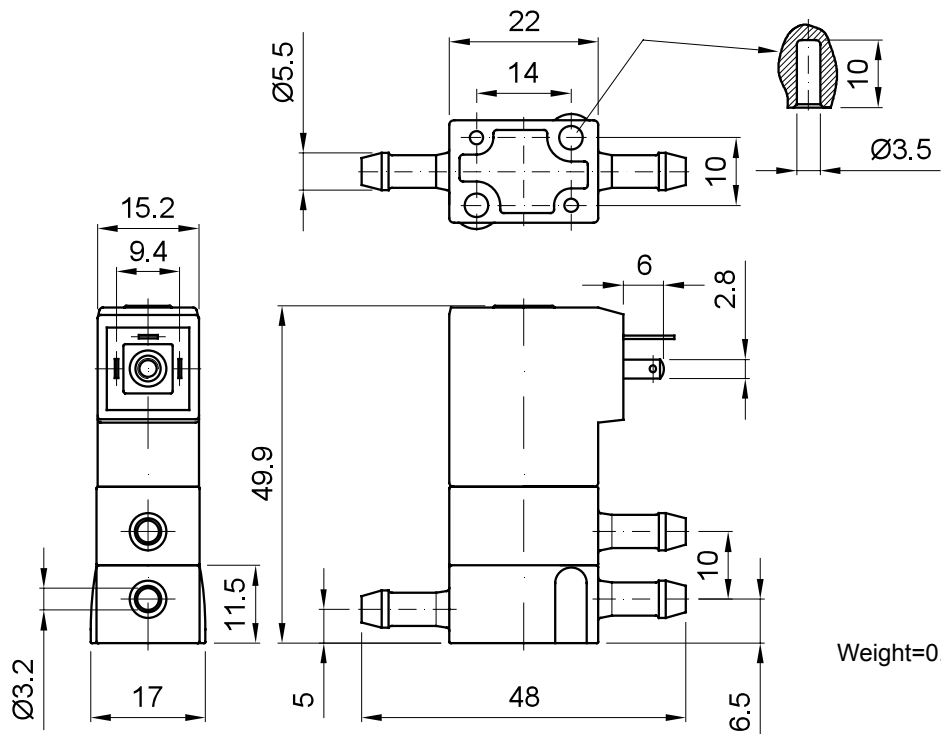
code **/R/**

SPARE PARTS LIST

- 1. Coil
- 2. Diaphragm



OVERALL DIMENSION



Weight=0.04Kg