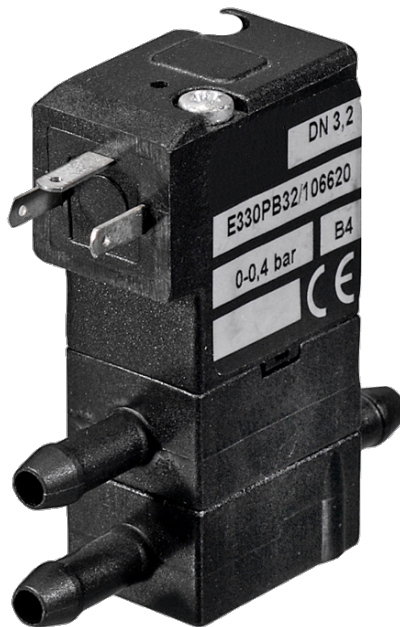


330 Series Valves



800.909.4988
info@rankinusa.com

RANKIN 
COMPONENTS THAT AUTOMATE

DESCRIPTION

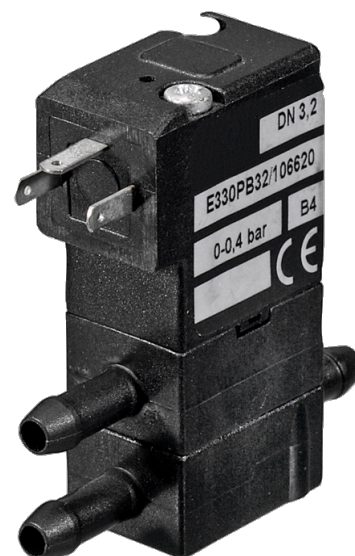
Solenoid valve 3 way direct acting with dry armature.
No metal parts in contact with the media.

CONSTRUCTION

Body Acetal copolymer
Seal material NBR

FEATURES

Maximum fluid viscosity 25cSt (mm²/s)
Ambient temperature +14°F +113°F
Maximum fluid temperature +122°C
Universal mounting position



3

ELECTRICAL OPERATING FEATURES

Duty cycle ED100%
Insulation class F
Voltage tolerance ±5%
Protection class IP65 with connector fitted



CODE ①	Hosetail	Orifice Size		Flow Factor Cv (gpm)	Operating Pressure Differential (M.O.P.D.)			Nominal power			Voltage		Connector
		Inlet			Min	Max		Inrush (VA)	DC Holding (W)	AC	DC		
		(in)	(mm)			(psi)	(bar)						
E330PB32/.../106620	Ø0.216in (Ø5.5mm)	0.126	3.2	0.173	0	0.016	0.4	6.5	4.5	-	230	-	PG7 cod.10348040
D330PB32/.../111140		0.126	3.2	0.173	0	0.016	0.4	-	-	4	-	12	
D330PB32/.../111150		0.126	3.2	0.173	0	0.016	0.4	-	-	4	-	24	

① Configuration:

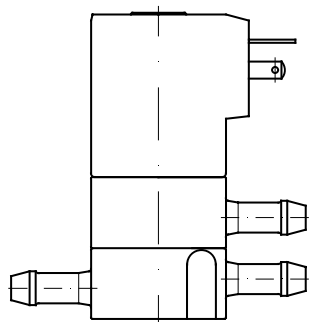
/// NC version, D diverting version, R electrical connection is on the opposite side to the interface

Example: D330PB32///111140 3/2 NC version Coil 12V DC
D330PB32/D/111150 Diverting version Coil 24V DC

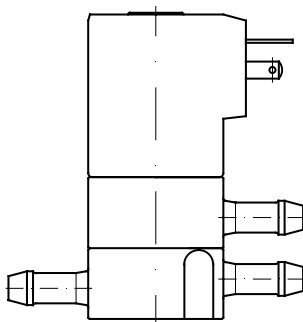
Safe Working Pressure: 7.25psi

Is the line or system pressure to which the valve may be subjected without being damaged.

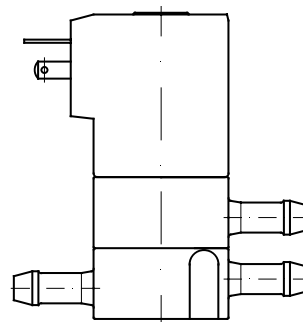
CONFIGURATION



code **///**
3/2 NC



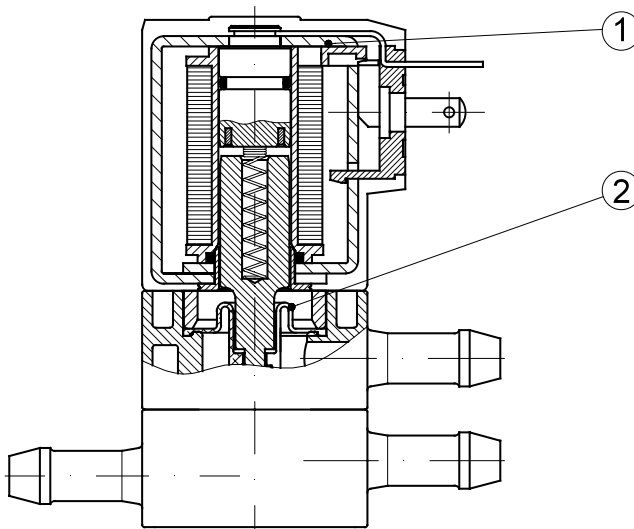
code **/D/**
DIVERTING



code **/R/**
Electrical connection is
opposite side to the interface

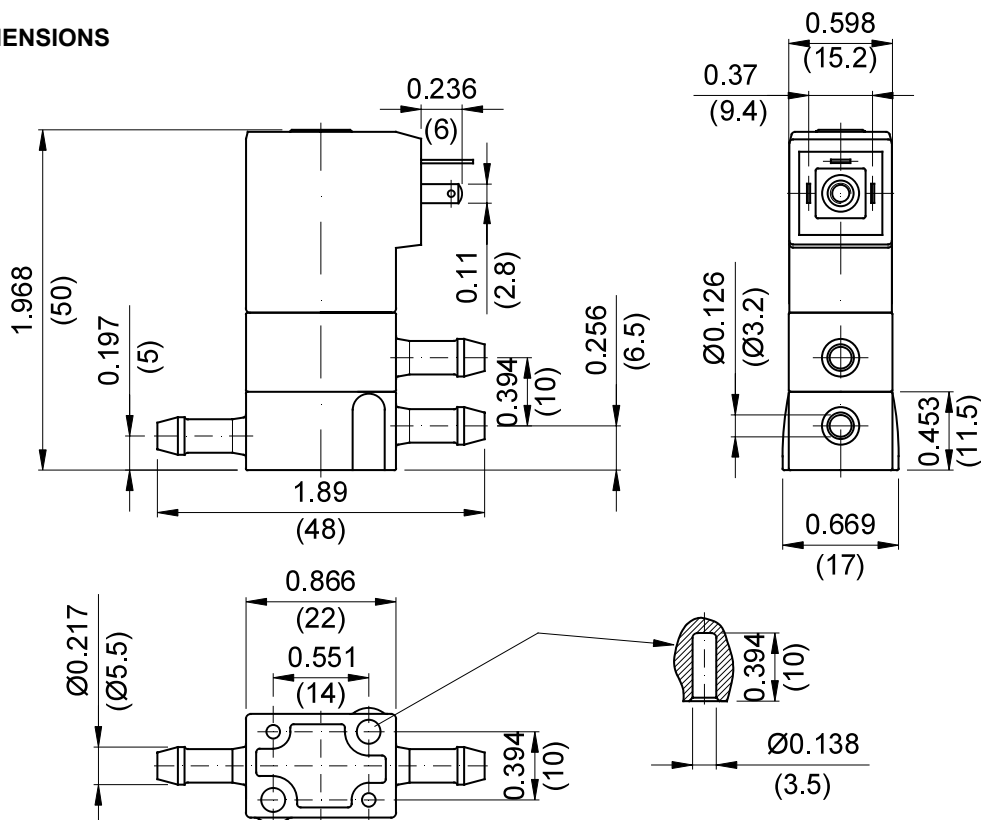
SPARE PARTS LIST

- 1. Coil
- 2. Diaphragm



OVERALL DIMENSIONS

inches (mm)



Weight=0.088lb (0.04Kg)