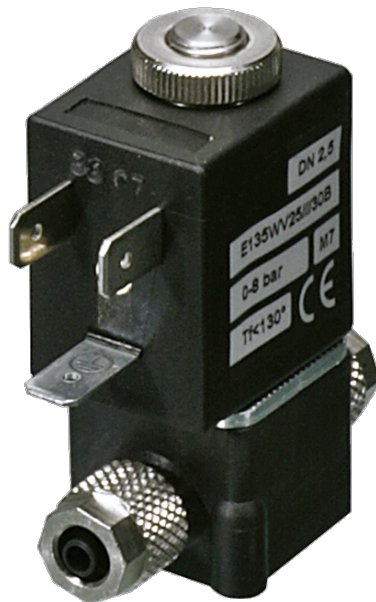


# 335 Series Valves



800.909.4988  
info@rankinusa.com

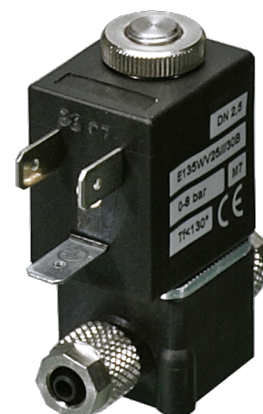
**RANKIN**   
COMPONENTS THAT AUTOMATE

## DESCRIPTION

Solenoid valve 3 way normally closed direct acting poppet type, suitable for food applications and all compatible fluids.

## CONSTRUCTION


Body	Thermoplastic polymer ACS, KTW, W270, WRAS, NSF, FDA certified
Armature tube	Brass chemically nickel plated
Plunger and core	AISI 430FR
Springs	AISI 302
Seal material	NBR - FPM - EPDM

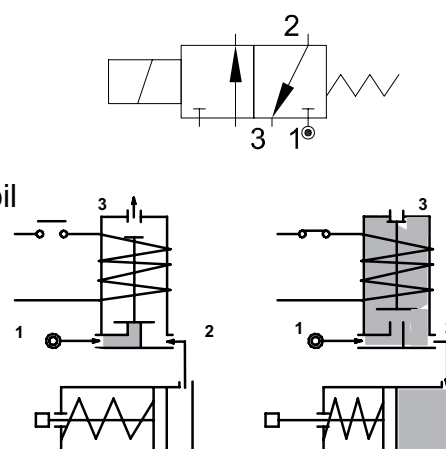


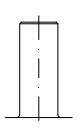
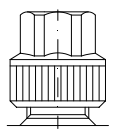
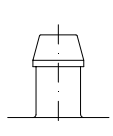
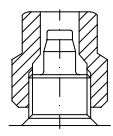
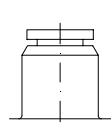
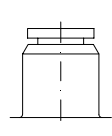
**3**

## FEATURES

- Maximum allowable pressure PS 15bar<sup>⑤</sup>
- Maximum fluid viscosity 25cSt (mm<sup>2</sup>/s)
- Ambient temperature: from -10°C to +80°C according to the coil
- Universal mounting position

- OPTIONS:** Stainless steel armature tube  
Type N connection without nut  
c  us certified coils



CONNECTION					
K	N	P	W <sup>④</sup>	Y	Z
					
<b>SPIGGOT</b>	<b>G1/8" male thread with NUT for flexible pipes</b>	<b>HOSETAIL for flexible pipes</b>	<b>COMPRESSION for flexible and semiflexible pipes</b>	<b>PUSH IN for semiflexible pipes Øext 6</b>	<b>PUSH IN for semiflexible pipes Øext 4</b>

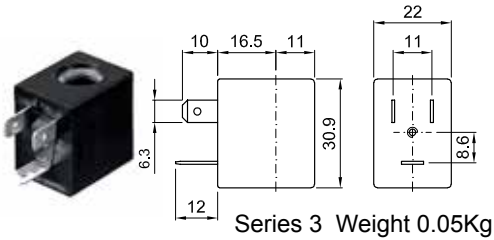
CODE ① ② ③	Connection ①	Orifice mm	Kv m <sup>3</sup> /h	Differential pressure bar			Nominal power			Coil		Seal ②	Temp. range** °C
				Min	Max		AC Inrush	VA Holding	DC Watt	Series	Width		
					AC	DC							
<b>E335... ..15///...</b>	<b>K-N-P-W-Y-Z</b>	<b>1.5</b>	<b>0.06</b>	<b>0</b>	<b>9</b>	<b>9</b>	<b>12</b>	<b>8</b>	<b>6.5</b>	<b>3</b>	<b>22</b>	<b>NBR=B</b> <b>EPDM=E</b> <b>FPM=V</b>	<b>-10 +90</b> <b>-10 +140</b> <b>-10 +140</b>

- ② Seal Example: E335KB15///30B NBR seal SPIGGOT connection
- ③ Coil Example: Coil 24V 50/60Hz
- ④ Only for connection "W" Example: E335W.../1/...
- ⑤ The maximum allowable pressure PS for steam is 2.5bar (gauge pressure)  
The maximum allowable pressure is related to the type of connection and pipe used

\*\* The temperature range is related to the material of the seals (NBR, EPDM, FPM), and the valves' body. Please contact us concerning the temperature range referred to the different types of connection.

COILS ③	Alternating Current 50/60Hz (V)							Direct Current (V)			Electrical connection	Connectors
	12	24	48	110	220 230	240	380	12	24	48		
Series 3 Width 22	30A	30B	30C	30D	30E	30F	30G	300	301	302	DIN 46244	PG9 code 10348000

**DESCRIPTION**  
 Class F insulation  
 Voltage tolerance  
 AC +15% -10%  
 DC ± 10%  
 Protection class  
 IP65 with connector fitted  
 IP00 without connector  
 Continuous service ED100%

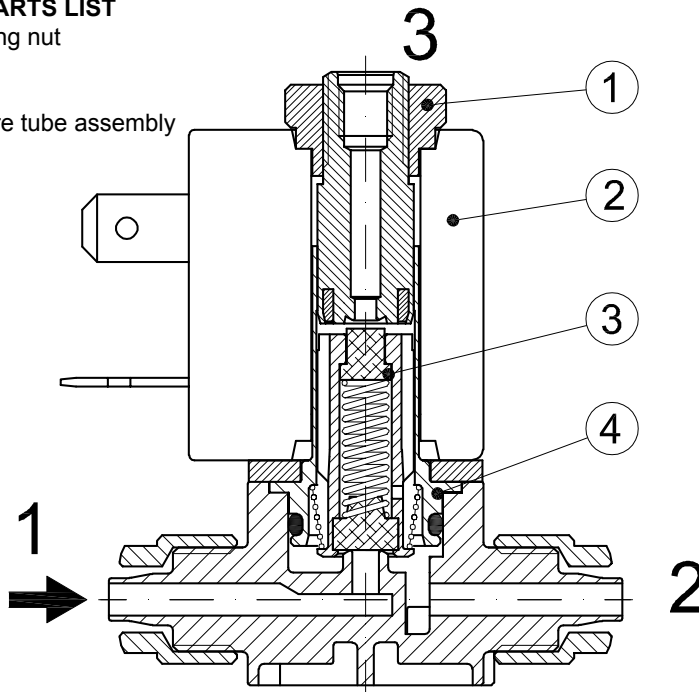


**OPTIONS**  
 Class H insulation  
 Cable attached  
 Special coil voltage  
 Special coil powers  
 CE certified coils

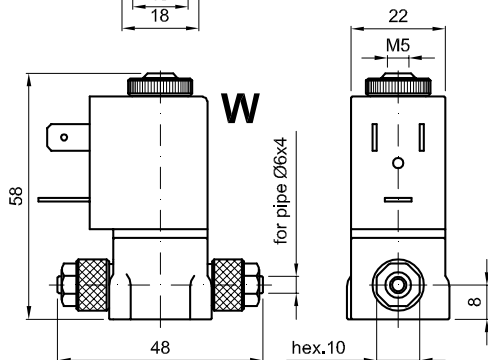
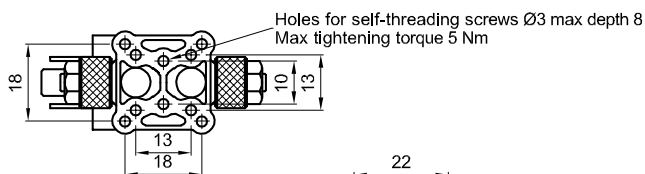
(for coil details see section 8)

### SPARE PARTS LIST

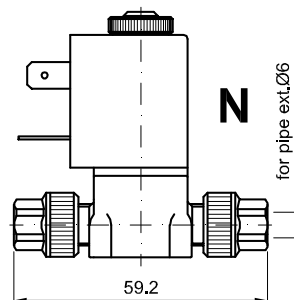
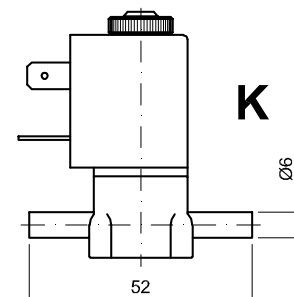
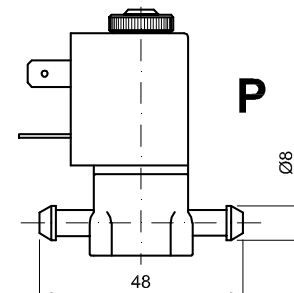
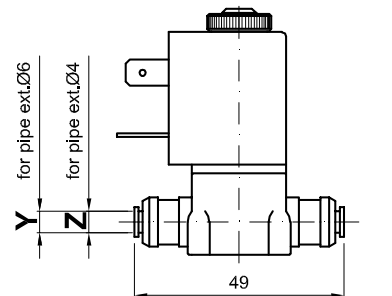
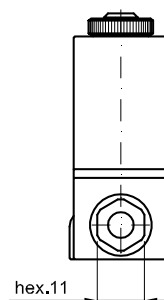
1. Coil fixing nut
2. Coil
3. Plunger
4. Armature tube assembly



Weight=0.10Kg



Nut max torque 2Nm



Screw the nut with wrench 11 up to the sliding on the hexagon (torque limiting device)