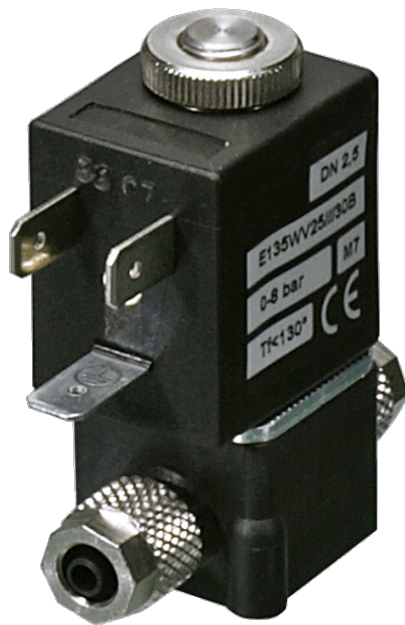


# 335 Series Valves



800.909.4988  
info@rankinusa.com

**RANKIN**   
COMPONENTS THAT AUTOMATE



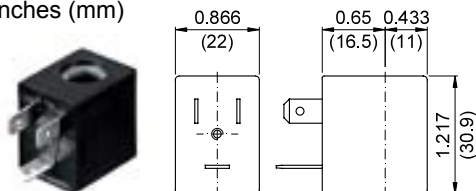
# Series 335

COILS Code ②	Alternating Current 60Hz						Direct Current				Electrical connection	Connectors
	24V		120V		240V		12V		24V			
Series 3 Width 22mm	U35B	30B	U35D	30D	U35F	30F	U350	300	U351	301	DIN 46244	PG9 code 10348000

**DESCRIPTION**  
 Class F or H insulation  
 Voltage tolerance  $\pm 10\%$   
 Protection class:  
 IP65 with connector attached  
 IP00 without connector  
 Continuous service ED100%

## OVERALL DIMENSIONS

inches (mm)



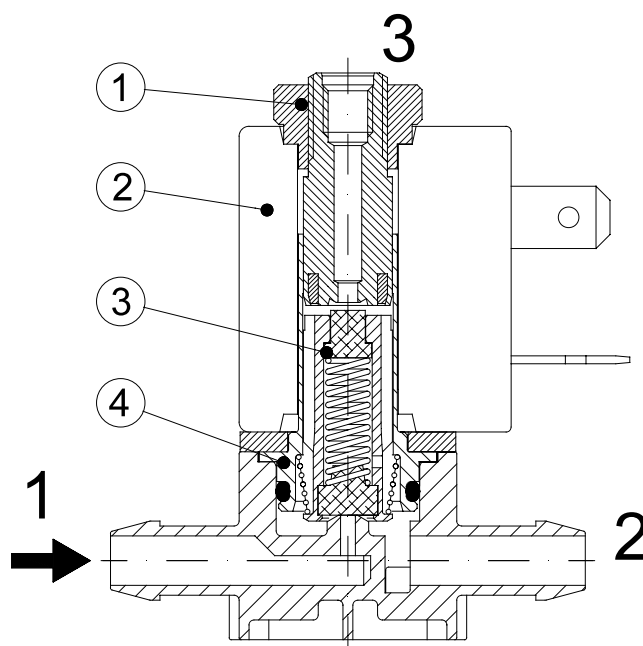
## OPTIONS

Cable attached  
 Special coil voltage  
 Special coil powers

**FOR COIL SPECIFICATION SEE SECTION 6**

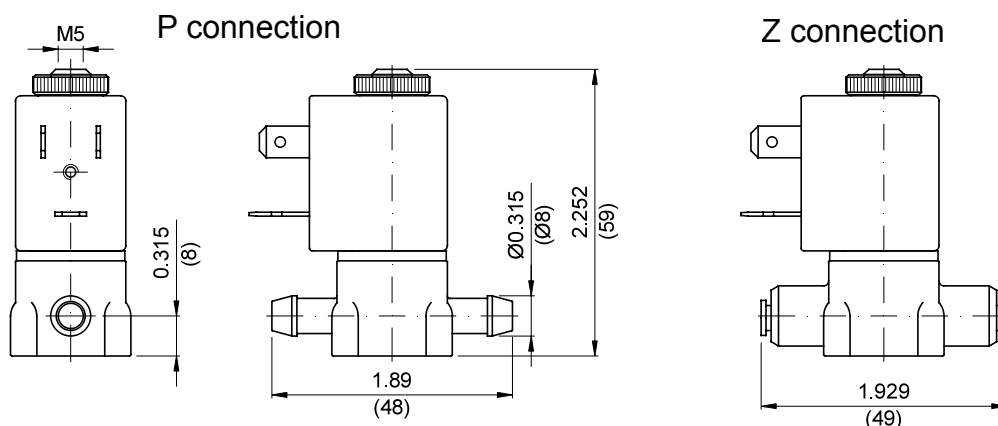
## SPARE PARTS LIST

1. Coil fixing nut
2. Coil
3. Plunger assembly
4. Armature tube assembly

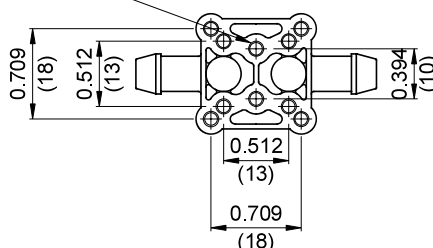


## OVERALL DIMENSIONS

inches (mm)



Holes for self-threading screws  $\varnothing 0.118$  max depth 0.315  
 Max tightening torque 5 Nm



Weight=0.22lb (0.1Kg)