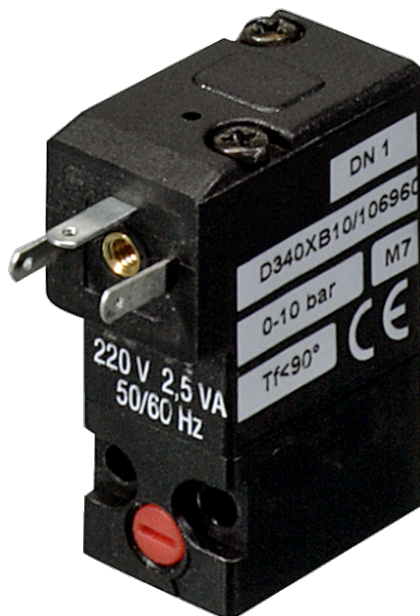


345 Series Valves



800.909.4988
info@rankinusa.com

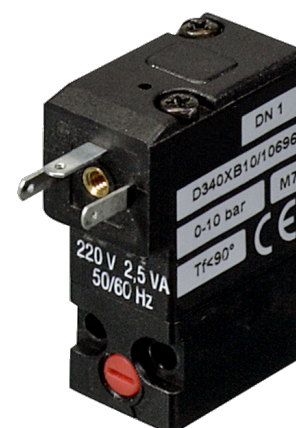
RANKIN 
COMPONENTS THAT AUTOMATE

DESCRIPTION

Solenoid valve 3 way direct acting poppet type

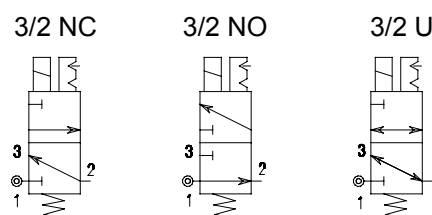
CONSTRUCTION

Body Acetal copolymer
 Internal parts Acetal copolymer - Stainless steel
 Seal material NBR



FEATURES

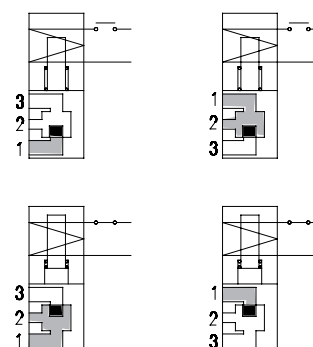
Fixing method: M2.5 screws
 max torque 0,5Nm
 Universal mounting position
 Fluid temperature: +122°F max
 Ambient temperature: +5°F +122°F
 Fluid: Air, neutral gases
 Response time: 10-15ms
 Manual override: Enclosed bi-stable function



3

ELECTRICAL OPERATING FEATURES

Duty cycle: ED100%
 Insulation class: F (+311°F)
 Voltage tolerance: ±10%
 Protection class: Cables IP65
 IP65 with connector fitted
 Electrical connection: Cables L=11.8in (300mm) or
 AMP 2.8x0.5 or DIN 43650C

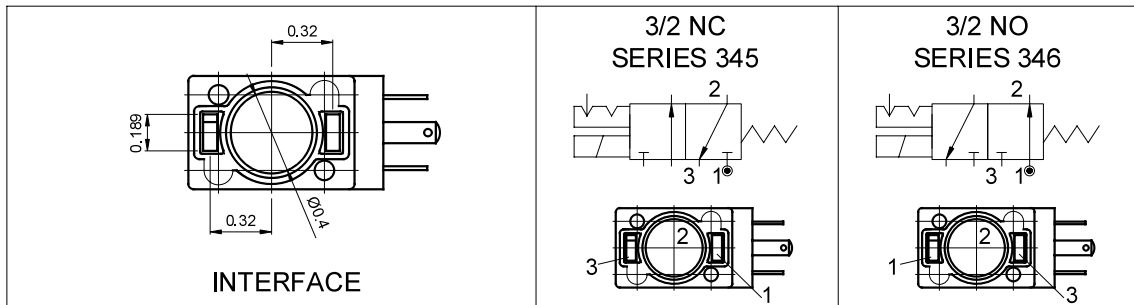


CODE		Port type	Orifice Size				Nominal flow rate $\Delta P=1\text{bar}$ (NI/1')	Operating Pressure Differential (M.O.P.D.)			Nominal power		
Alternating current	Direct current		1→2 (in) (mm)		2→3 (in) (mm)			Min	Max AC - DC (psi) (bar)		AC (VA) Inrush Holding	DC (W)	
NC Normally closed													
E345XB08/...	D345XB08/...	Flange	0.031	0.8	0.035	0.9	23	0	145	10	-	-	1.5
E345XB12/...	D345XB12/...		0.047	1.2	0.051	1.3	29	0	145	10	3.6	2.5	2.5
E345XB15/...	D345XB15/...		0.059	1.5	0.063	1.6	43	0	87	6	3.6	2.5	2.5
NO Normally open													
E346XB10/...	D346XB10/...	Flange	0.039	1	0.047	1.2	26	0	116	8	3.6	2.5	2.5
U Universal													
E347XB15/...	D347XB15/...	Flange	0.059	1.5	0.063	1.6	43	0	36	2.5	3.6	2.5	2.5

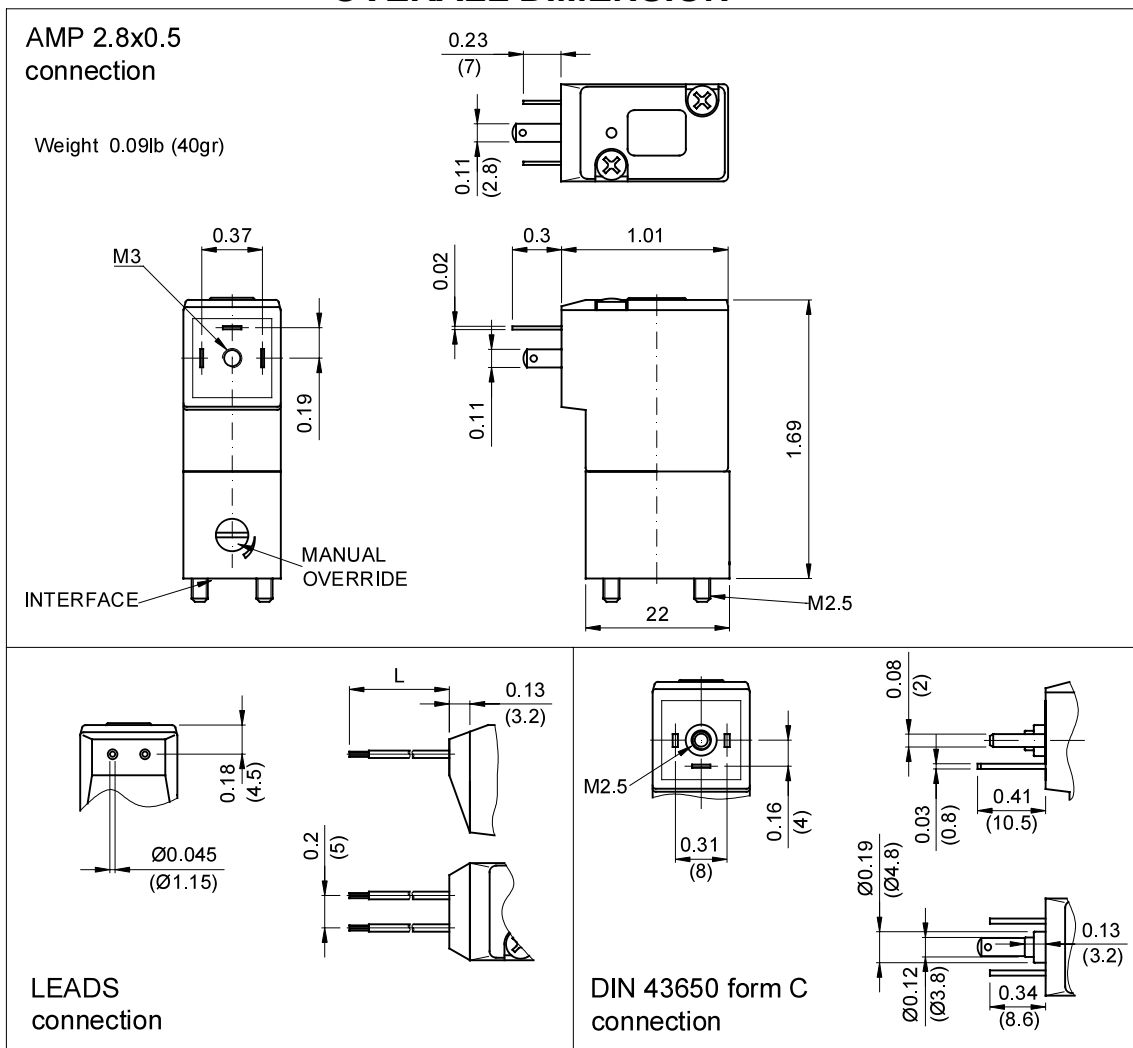
COILS CODE									
VOLTAGE	AMP 2.8x0.5			DIN 43650 form C			CABLE		
	50/60Hz	1.5W DC	2.5W DC	50/60Hz	1.5W DC	2.5W DC	50/60Hz	1.5W DC	2.5W DC
12	-	106970	106950	-	109020	109040	-	107010	106990
24	107030	106980	106960	108990	109030	109050	107040	107020	107000
110	107060	-	-	109000	-	-	-	-	-
220/230	107050	-	-	109010	-	-	-	-	-

NOTE: 1,5W power available on Ø0.8 orifice only.

CONNECTIONS



OVERALL DIMENSION



TYPE NUMBER COMPOSITION

