

Amp Connector



800.909.4988
info@rankinusa.com

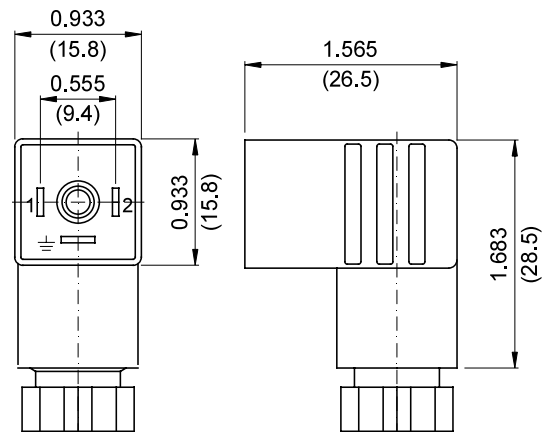
RANKIN 
COMPONENTS THAT AUTOMATE

Connector code 10348040

AMP 2.8x0.5 connector

Contact distance: 0.555in (9.4mm)
 Protection class: IP65
 Working temperature: -40°F +212°F
 Fixing method: M3 central screw
 Gland size: PG7 cable Ø0.157-0.236in (Ø4-6mm)
 (n°2 poles+earth)

Weight 0.022lb (0.010Kg)



Connector code 10348060

DIN 43650 Form C connector

Contact distance: 0.472in (8mm)
 Protection class: IP65
 Working temperature: -40°F +212°F
 Fixing method: M2.5 central screw
 Gland size: PG7 cable Ø0.157-0.236in (Ø4-6mm)
 (n°2 poles+earth)

Weight 0.022lb (0.010Kg)

