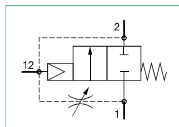




► Progressive start-up valve (AP - APW)



- Progressive start-up valve
- Available in 4 sizes with flow rates up to 15000 NI/min and connections from 1/8" to 1"
- Suitable for downstream system gradual pressurization
- Downstream circuit filling time regulated via a built in flow regulator
- Full pressure is allowed once the down stream circuit pressure reaches 50% of the inlet pressure
- Atex certification (II 2GD or II 3GD)



Technical characteristics					
Size		Size 1	Size 2	Size 3	Size 4
Body and connections type		Technopolymer body, integrated technopolymer connections (T version)			/
		Technopolymer body, metal connections (N version)			
		/	Aluminium body, integrated aluminium connections (P version)		
IN / OUT connections	T version	G1/4"	G3/8"	G1/2"	not available
	N version	G1/8" - G1/4" - 1/4" NPT	G3/8" - G1/4" - 3/8" NPT	G3/8" - G1/2" - 1/2" NPT	
	P version	non disponibile	G3/8"	G1/2"	G1"
Assembly configuration		Stand alone			
		/			Panel mounted
Assembly positions		Indifferent			
Max. fittings torque IN / OUT connections		G1/8" metal: 15 Nm G1/4" metal: 20 Nm G1/4" technopolymer: 9 Nm	G1/4" metal: 20 Nm G3/8" metal: 25 Nm G3/8" technopolymer: 16 Nm	G3/8" metal: 25 Nm G1/2" metal: 30 Nm G1/2" technopolymer: 22 Nm	G1" metal: 35 Nm

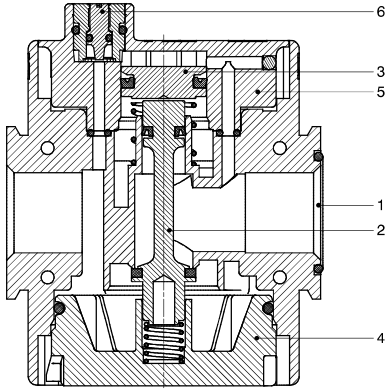
Operational characteristics					
Size		Size 1	Size 2	Size 3	Size 4
Maximum working pressure		13 bar			10 bar
Minimum working pressure		2,5 bar			
Working temperature		-5 °C ... +50 °C			
Nominal flow rate at 6 bar with Δp=1 (from 1 to 2)		1400 NI/min	2200 NI/min	3600 NI/min	15000 NI/min
Fully open flow control device maximum flow rate		75 NI/min	200 NI/min	200 NI/min	1000 NI/min

Weights					
	Size	Size 1	Size 2	Size 3	Size 4
Technopolymer body version		80 g	150 g	240 g	/
Aluminium body version		/	235 g	370 g	1100 g

Materials

Exploded sectioned

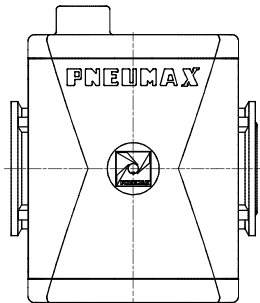
AIR TREATMENT



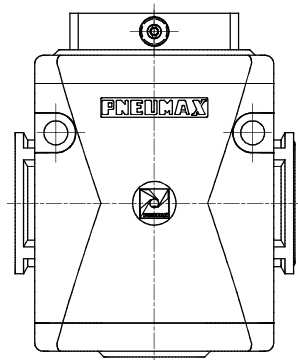
Progressive start-up valve		
1	Body	Polyamide Die-cast aluminium
2	Drive pin	Aluminium
3	Piston	Aluminium
4	Rear end cap	Polyamide / Die-cast aluminium
5	Central support	Polyamide / Aluminium
6	Modulating needle	Brass

Design

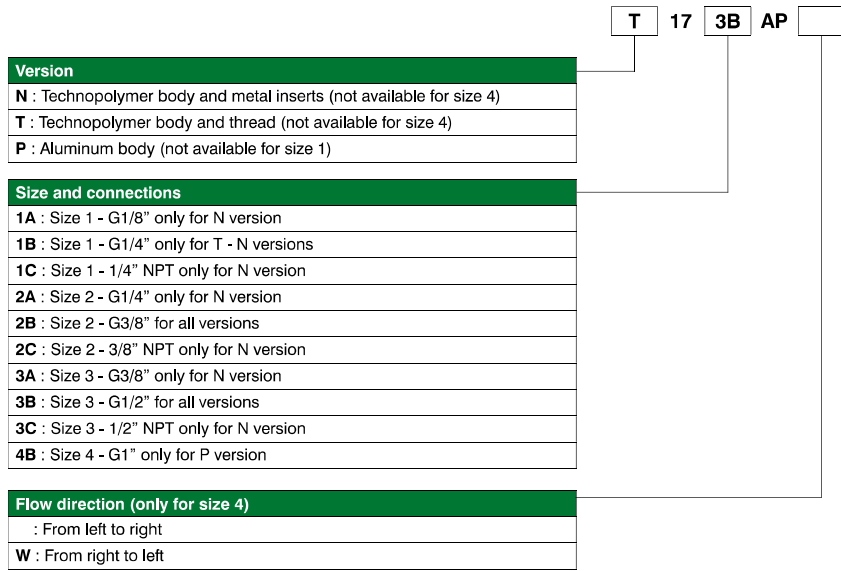
Size 1 - Size 2 - Size 3



Size 4

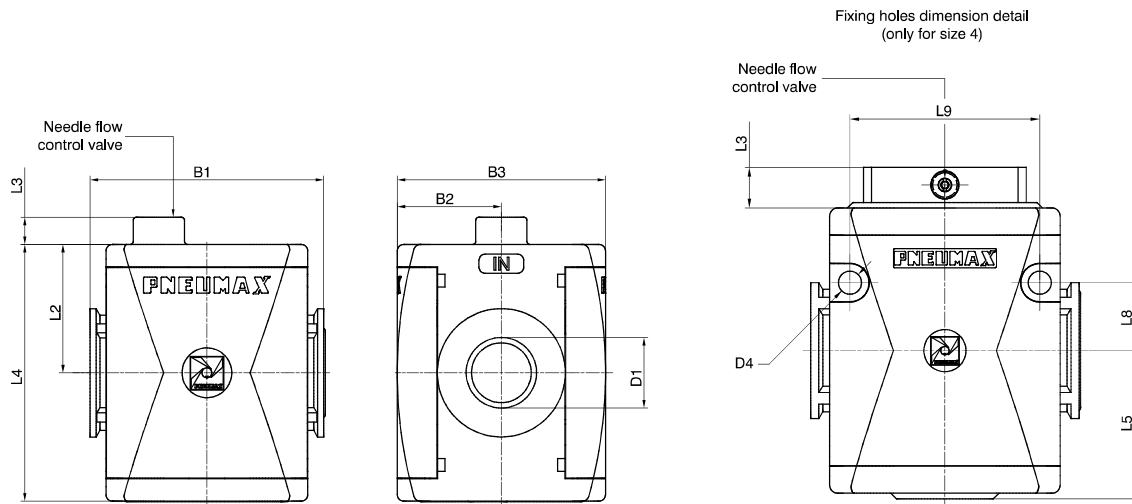


Order codes



Example : T173BAP : Size 3 progressive start-up valve G1/2"

Dimensions



Model	B1	B2	B3	D1	D4	L2	L3	L4	L5	L8	L9
#171..	48	21	42	G1/8" G1/4"	/	27,5	12	55	/	/	/
#172..	62	28,5	57	G1/4" G3/8"	/	34	9,2	68	/	/	/
#173..	73	32,5	65	G3/8" G1/2"	/	40	8,7	80	/	/	/
#174..	99	44	88	G1"	8,5	52,5	13	105	54,5	25	70