

## Anti-Bounce Stopper



800.909.4988  
info@rankinusa.com

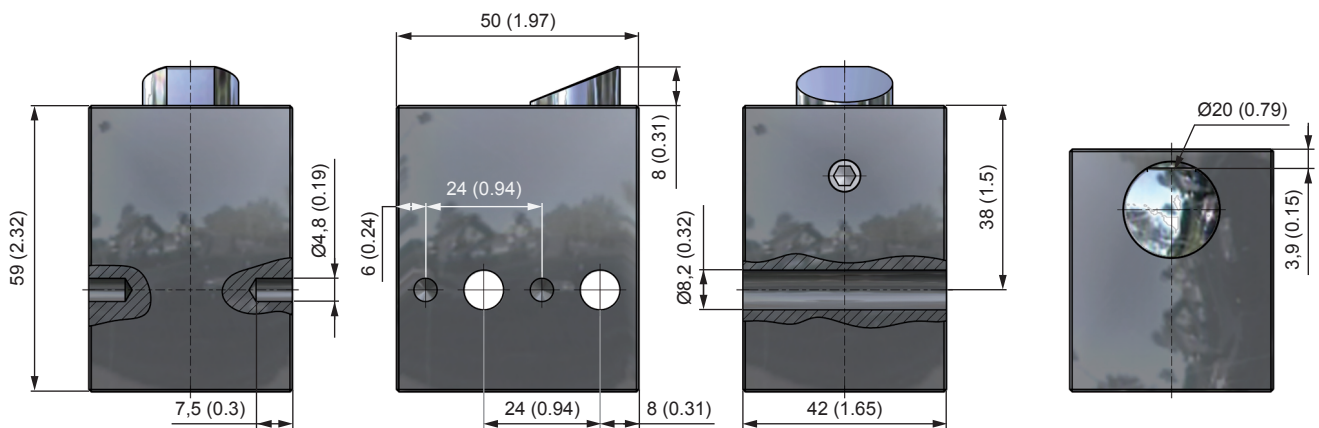
# WPR



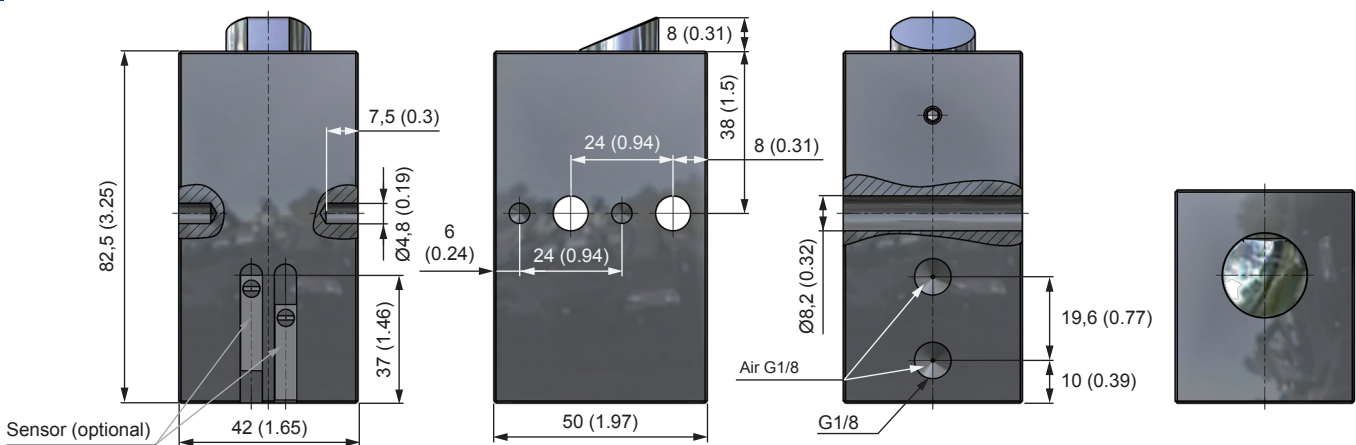
- Anti-bounce stopper eliminate the bounce back from pallet stoppers without damping (WPS-F) and the return of the workpiece carrier when the transfer system is shutdown

- Housing: aluminium, black anodized
- Stop plate: hardened stainless steel
- Easy mounting at profile groove of the transfer system
- Set back: WPR 20 - return spring / WPR 22 - pneumatic
- Sensor for end position WPR 22 (optional)
- RoHS compliant Directive 2002/95/EC

## WPR 20



## WPR 22



## SPECIFICATIONS

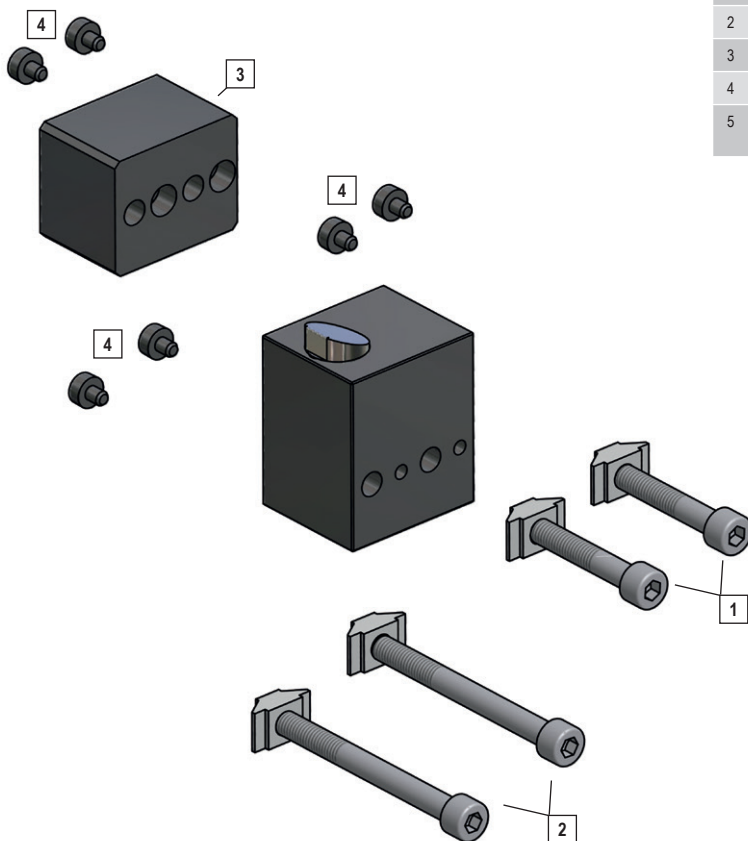
Working Pressure	4 - 8 bar (58.02 - 116.03 psi)
Compressed Air	treated
Tube Diameter	6 - 8 mm (0.24 - 0.31 inch)
Weight	WPR 20: 355 g (0.78 lbs), WPR 22: 500 g (1.1 lbs)

### Ordering information proximity switch

Standard version: without preparation for proximity switch (e.g. WPR-22)  
 "NV" Version: with preparation for proximity switch (e.g. WPR-22-NV)

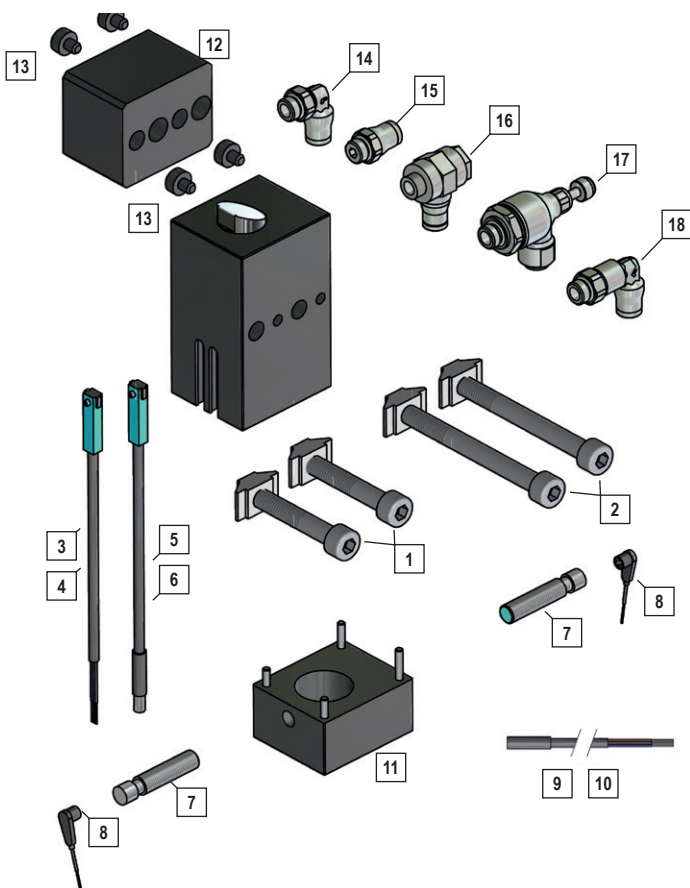
Accessories Pages 174

## WPR 20



1	PRB 20-1	Fastening set
2	PRB 20-2	Fastening set PRB 20-5
3	PRB 20-5	Adapter für Bosch TS4
4	PRB 20-6	Positioning bolts
5	PRB20-TS4	Fastening set: PRB20-2, PRB20-5, PRB20-6

## WPR 22



1	PRB 20-1	Fastening set
2	PRB 20-2	Fastening set PRB 20-5
3	N 10	Sensor, electric reed switch, 2,5 m cable
4	N 11	Sensor, electric reed switch, 5 m cable
5	N 15	Sensor with plug, electric reed switch, Ø 8mm, 0,3 m cable
6	N 16	Sensor with knurled nut, Ø 8mm electric reed switch, 0,3 m cable
7	N 20	Sensor, inductiv
8	KS 60	Cable with plug, Ø 8mm
9	KS 25	Cable with plug 2,5 m, Ø 8mm
10	KS 50	Cable with plug 5 m, Ø 8mm
11	PR-22-15	Position sensing WPR-22, top and bottom
12	PRB 20-5	Adapter for Bosch TS4
13	PRB 20-6	Positioning bolts
19	PRB20-TS4	Fastening set: PRB20-2, PRB20-5, PRB20-6
14	VWIM5-6	M5-6 Stud elbow
15	VGRM5-6	M5-6 Male stud
16	VWSM5-6	M5-6 Single banjo
17	VDRM5-6	M5-6 Flow control regulator
18	VWLM5-6	M5-6 Stud elbo, extended