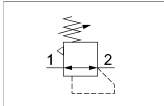




► Pressure regulators for manifold (B - M)



- ▶ Diaphragm pressure regulator with relieving
- ▶ Available with 2 front outputs connections G1/8 " or with 1 front output and integrated pressure gauge on the opposite side
- ▶ Low hysteresis rolling diaphragm and balanced spool
- ▶ Available in four pressure ranges up to 12 bar
- ▶ Fitted with panel mounting locking ring
- ▶ Available with Integrated pressure gauge
- ▶ Air supply can be applied by both directions (Right or Left)
- ▶ Max. 6off pressure regulators in manifold configuration
- ▶ Atex certification (II 3GD)



Note

For installations where a more accurate and constant pressure is required, the unit should be installed as close as possible to the point of use.

Technical characteristics		Size	Size 1
Body and connections type		Technopolymer body, integrated technopolymer connections (T version) Technopolymer body, metal connections (N version)	
IN connections	T version	G1/4"	
	N version	G1/8" - G1/4" - 1/4" NPT	
OUT connections		G1/8"	
Assembly configuration		Stand alone Panel mounting With fixing bracket	
Assembly positions		Indifferent	
Pressure range		0-2 bar 0-4 bar 0-8 bar 0-12 bar	
Regulation		Manul push and lock with pressure Manual lockable with accessories	
Pressure measurement		G1/8" pressure gauge connection port Integrated pressure gauge (optional)	
Max. fittings torque IN / OUT connections		G1/8" metal: 15 Nm G1/4" metal: 20 Nm G1/4" technopolymer: 9 Nm	
Max.fitting torque pressure gauge connection port		G1/8" technopolymer: 4 Nm G1/8" metal: 15 Nm	

Operational characteristics		Size	Size 1
Maximum working pressure		13 bar	
Minimum working pressure		0,5 bar	
Working temperature		-5 °C ... +50 °C	

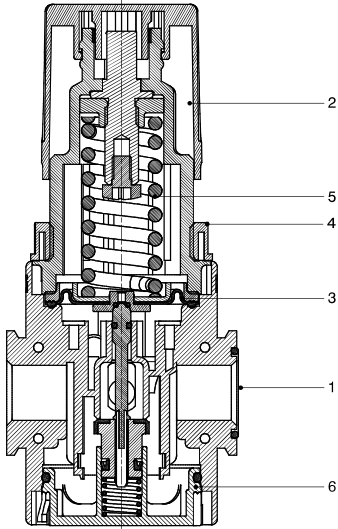
Weights

	Size	Size 1
Technopolymer body version		140 g

Materials

Exploded sectioned

AIR TREATMENT

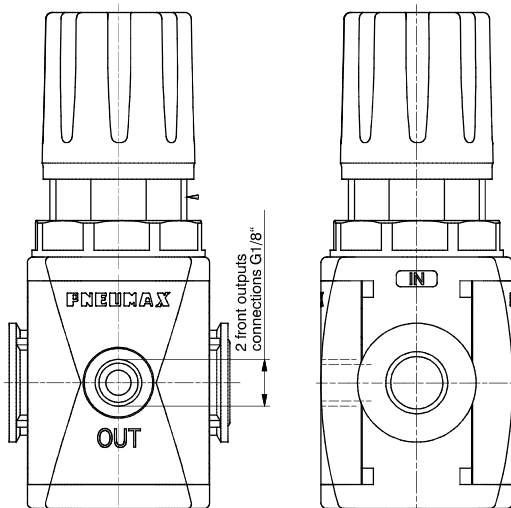


Pressure regulator for manifold

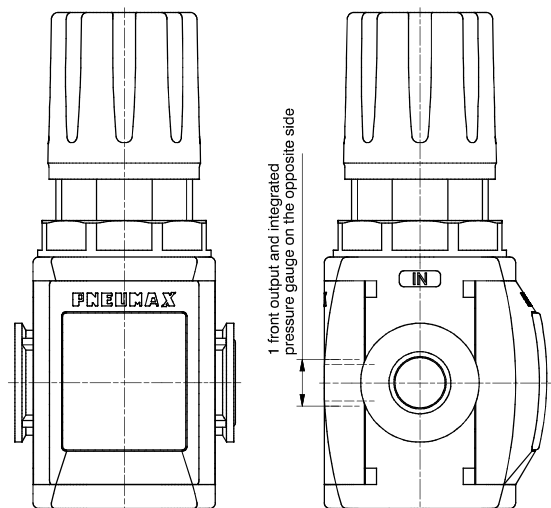
1	Body	Polyamide Die-cast aluminium
2	Adjusting knob	Polyamide
3	Diaphragm	NBR
4	Panel mounting locking ring	Polyamide
5	Adjusting spring	Steel
6	Rear end cap	Polyamide / Die-cast aluminium

Design

Pressure gauge connection port version

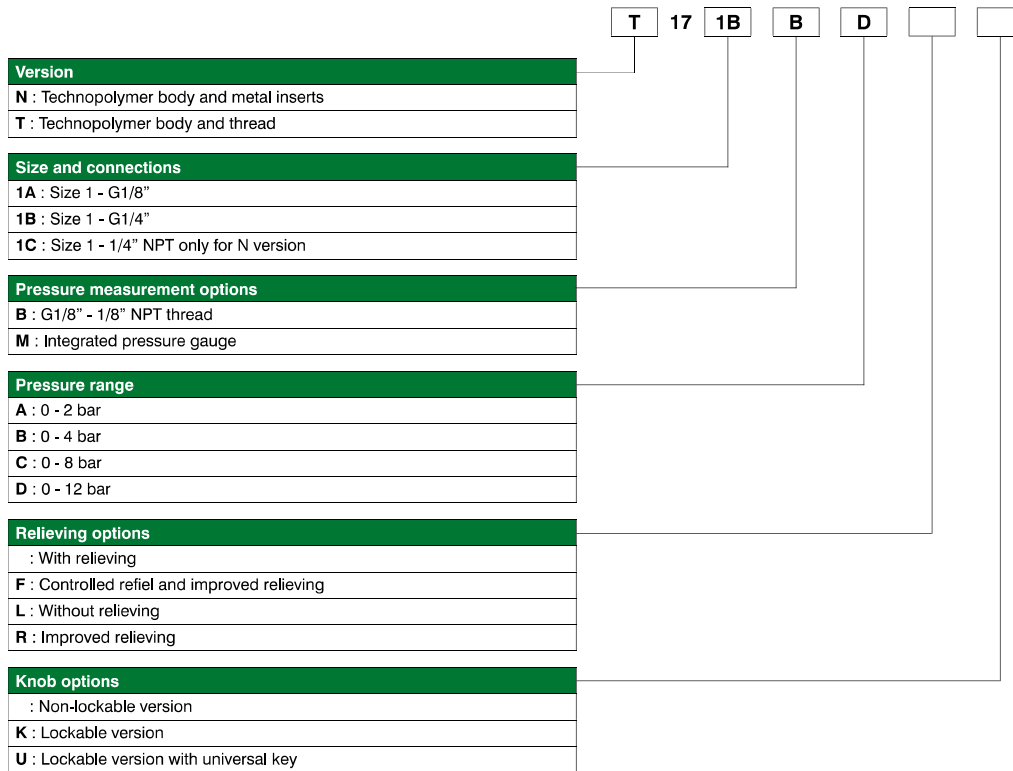


Integrated pressure gauge version





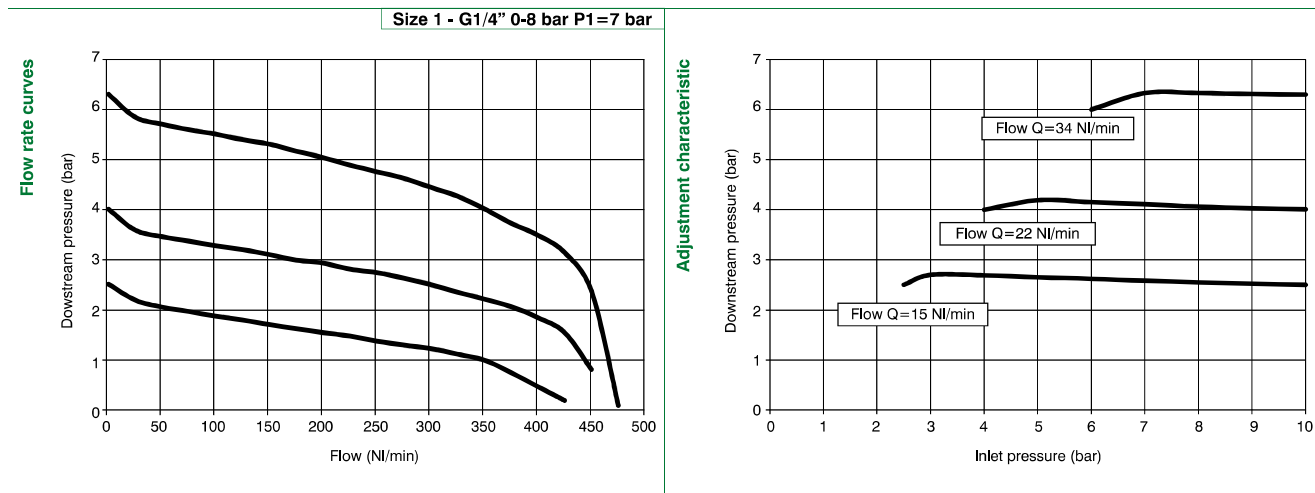
Order codes



AIR TREATMENT

Example : T171BBD : Size 1 pressure regulator for manifold G1/4", 0 - 12 bar

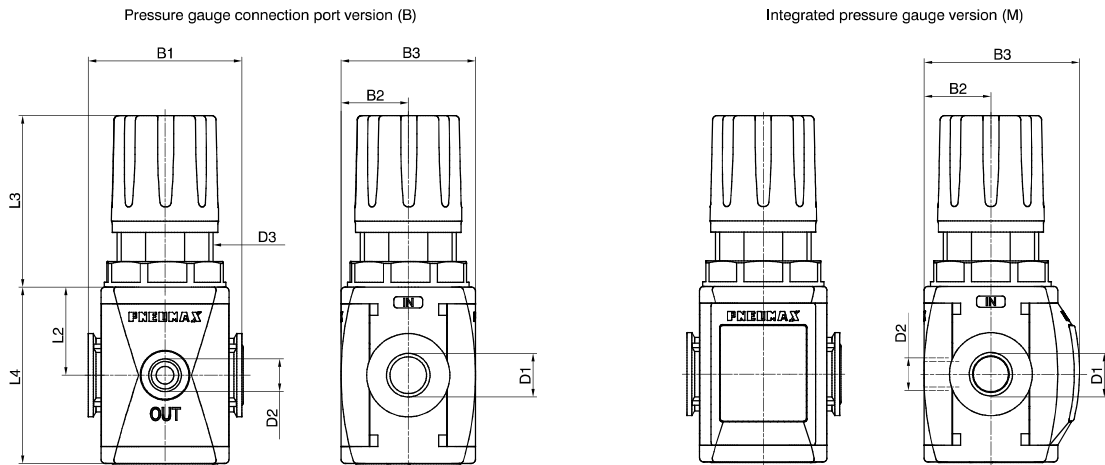
Characteristic curves





Dimensions

AIR TREATMENT



Model	B1	B2	B3		D1	D2	D3	L2	L3	L4
			B version	M version						
#171..	48	24	42	48,5	G1/4" G1/8" 1/4" NPT	G1/8"	M30x1,5	27,5	54	55