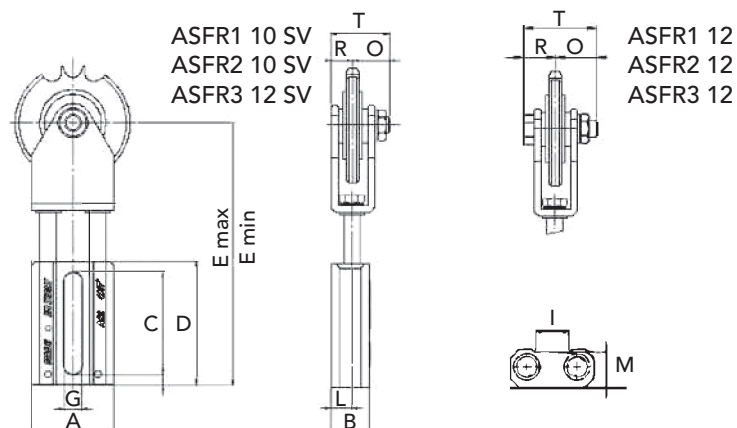




- Tensioner type ASFR with chain tensioner sprocket type TN
- Standard PTFE dry self-lubricating bushings
- On request available with stainless steel pins, springs, plugs and washers
- It is supplied with the TN sprocket set up screws and bolts
- Lack of encumbrance on the supporting plane for the type ASFR-SV supplied with screw with flared head



TYPE	P. NUMBER SIMPLE	Newton	A	B	C	D	E min	E max	F	G	I	L	M	O	R	T	WEIGHT Kg.
ASFR1 10 SV	94ASFR1SV	240	50	23	61	74	128	157	6,5	10,5	20	12,5	22	22	13	35	0,39
ASFR1 12	94ASFR112	240	50	23	61	74	128	157	6,5	10,5	20	12,5	22	27	21	48	0,39
ASFR2 10 SV	94ASFR2SV	420	67	28	73	87	157	193	7	12,5	25	15	25,5	22	13	35	0,63
ASFR2 12	94ASFR212	420	67	28	73	87	157	193	7	12,5	25	15	25,5	27	21	48	0,63
ASFR3 12 SV	94ASFR3SV	650	80	32,5	88	104	181	222	8	14,5	29,5	17,5	28,5	28,7	16,3	45	1,07
ASFR3 12	94ASFR312	650	80	32,5	88	104	181	222	8	14,5	29,5	17,5	28,5	26	26	52	1,07

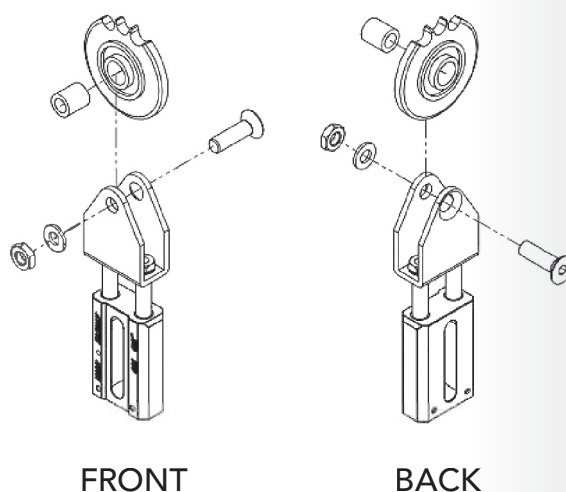
TN chain tensioner sprockets available:

ASFR1: From Z23 chain pitch 8X3 to Z15 chain pitch 5/8" X 3/8" included

ASFR2: From Z14 chain pitch 5/8" x 3/8" to Z15 chain pitch 3/4" X 7/16" included

ASFR3: Z 12 chain pitch 1" x 17.02

Check TN list pag. 35



ASFR1 10 SV
ASFR2 10 SV
ASFR3 12 SV

