

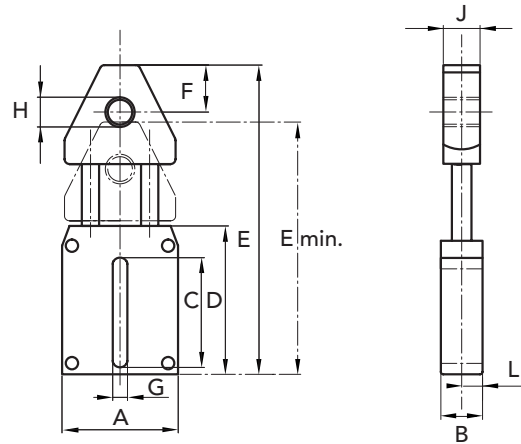
TENSIONERS CHAIN TENSIONER BELT TENSIONER



Made in Italy



- Our tensioner type L is a compact version that allows to get a different tension strength with reduced dimensions. This is possible thanks to the possibility to use the same base changing only the head and the springs.
- It is possible to set up chain tensioner sprockets type R or TN or our belt rollers RU.
- High resistance die-cast aluminium body.
- Self-lubricating dry bushings with standard PTFE.
- Available with stainless steel springs, studs, plugs and washers.
- Supplied with closing caps in the bottom part of the tensioner.



TYPE	P. NUMBER	Newton	A	B	C	D	E	E min.	F	G	H	J	L	M	I	WEIGHT Kg.
L 1	94020001	230	50	23	61	74	143	121	14	10,5	M 12	20	12,5	22	20	0,26
L 2	94020002	350	50	23	61	74	153	130	14	12	M 12	20	12,5	22	20	0,28
L 3	94020003	450	50	23	61	74	164	135	14	12	M 12	20	12,5	22	20	0,32

