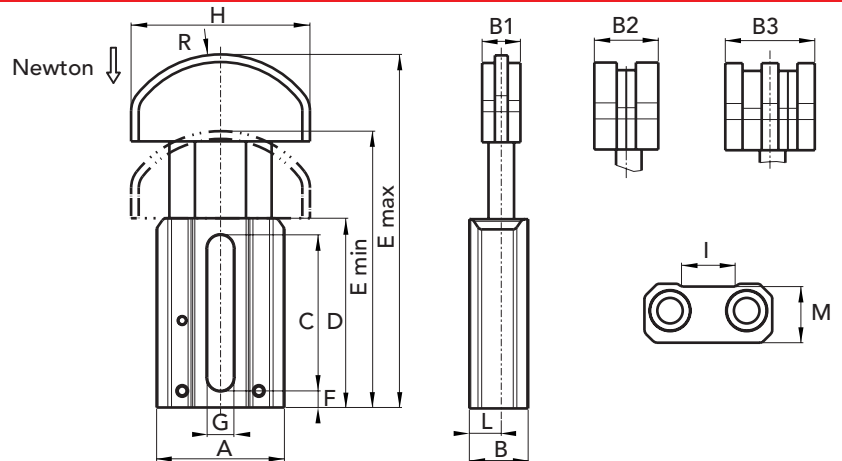




- Our tensioner type LP is a compact version that allows to use the same base for chain up to 24B3 changing only the springs and the sliding blocks.
- High molecular weight Polyethylene UHMW sliding blocks(1.000.000) Available on demand in other colours.
- Ellipse profile for a chain larger contact surface.
- Self-lubricating dry bushes with standard PTFE.
- Available with stainless steel springs, studs, plugs and washers.
- High resistance die-cast aluminium body.
- Supplied with closing caps in the bottom part of the tensioner.



TYPE	P. NUMBER SIMPLE	P. NUMBER DOUBLE	P. NUMBER TRIPLE	Newton	A	B	B1	B2	B3	C	D	E		F	G	H	I	L	M	R	WEIGHT Kg.
												min	max								
LP 1 3/8"	94010901	94010902	94010903	240	50	23	20	20	25	61	74	114	138	6,5	10,5	68 ^{-0/+2}	20	12,5	22	42	0,24
LP 1 1/2"	94011201	94011202	94011203	240	50	23	20	20	35	61	74	114	138	6,5	10,5	68 ^{-0/+2}	20	12,5	22	42	0,24
LP 2 5/8"	94011501	94011502	94011503	350	50	23	20	25	40	61	74	120	142	6,5	12	85 ^{-0/+2}	20	12,5	22	50	0,25
LP 2 3/4"	94011901	94011902	94011903	350	50	23	20	30	49	61	74	120	142	6,5	12	85 ^{-0/+2}	20	12,5	22	50	0,25
LP 3 1"	94012501	94012502	94012503	450	50	23	20	45	78	61	74	118	148	6,5	12	100 ^{-0/+2}	20	12,5	22	58	0,27
LP 3 1"1/4	94013101	94013102	94013103	450	50	23	20	54	90	61	74	118	148	6,5	12	100 ^{-0/+2}	20	12,5	22	58	0,27
LP 3 1"1/2	94013801	94013802	94013803	450	50	23	20	70	119	61	74	118	148	6,5	12	100 ^{-0/+2}	20	12,5	22	58	0,27

