

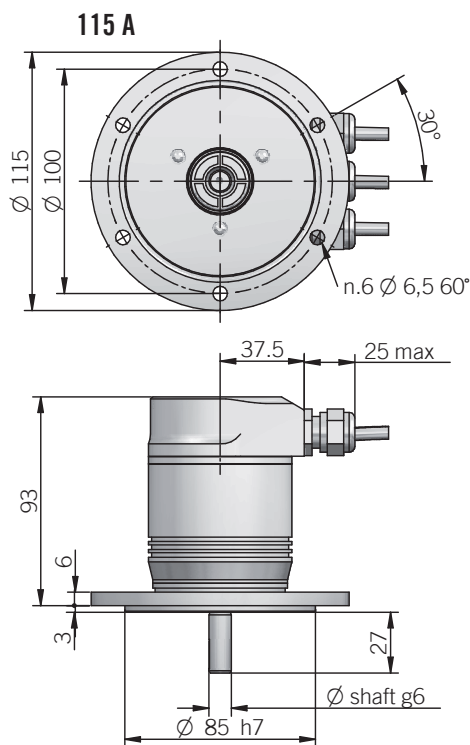
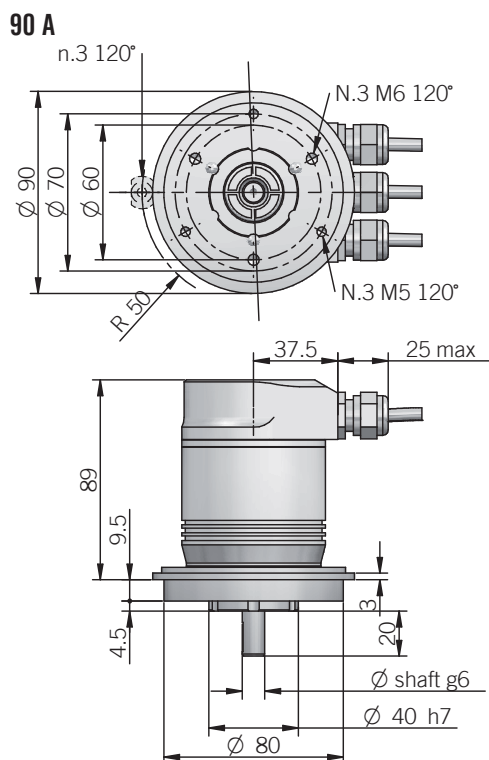
MAIN FEATURES

Industry standard multiturn absolute encoder for factory automation applications.

- Optical sensor technology (OptoASIC + gears)
- 25 bit total resolution (13 bit single turn (8192 ppr) + 12 bit multiturn (4096 turns))
- Power supply up to +28 V DC with Profibus DP as electrical interface
- Intelligent status leds
- Terminal box or M12 connector for fast setup
- Solid shaft diameter up to 11 mm
- Mounting by synchronous or REO-444 flange



| ORDERING CODE | EAM | 90A | R | 4096 / 4096 | B | 12/28 | FX | 10 | X | 6 | M12R | .162 | +XXX |
|---|------------|---------------------------|----------|--------------------------------------|-------------------------------------|----------------------------|---------------------------------------|---|--|---|---|---|--|
| SERIES multiturn absolute encoder | EAM | | | | | | | | | | | | |
| MODEL synchronous flange ø 40 mm REO444 flange | | 90A 115A | | | | | | | | | | | |
| | | | rev. 2.0 | R | | | | | | | | | |
| | | | | MULTITURN RESOLUTION turns | | | | | | | | | |
| | | | | | SINGLETURN RESOLUTION ppr | | | | | | | | |
| | | | | | | CODE TYPE binary | | | | | | | |
| | | | | | | | POWER SUPPLY 12 ... 28 V DC | | | | | | |
| | | | | | | | | ELECTRICAL INTERFACE PROFIBUS DP V0 CLASS 2 | | | | | |
| | | | | | | | | | SHAFT DIAMETER (mod. 90) (3/8") 9,52 mm mm (mod. 115) mm | | | | |
| | | | | | | | | | | ENCLOSURE RATING IP 54 (mod. 90) IP 66 | | | |
| | | | | | | | | | | | MAX ROTATION SPEED (IP 66) 3000 rpm (IP 54) 6000 rpm | | |
| | | | | | | | | | | | | OUTPUT TYPE terminal box - radial cable glands radial M12 connectors | |
| | | | | | | | | | | | | | MATING CONNECTORS mating connectors not included |
| | | | | | | | | | | | | | to be reported only with connectors output (eg. M12R.162), for mating connectors see Accessories |
| | | | | | | | | | | | | | VARIANT custom version |



fixing clamps not included, please refer to Accessories

recommended mating shaft tolerance H7 dimensions in mm

ELECTRICAL SPECIFICATIONS

| | |
|---|--|
| Multiturn resolution | 1 ... 4096 turns programmable during commissioning |
| Singleturn resolution | 2 ... 4096 / 2 ... 8192 ppr programmable during commissioning |
| Power supply¹ | 11,4 ... 29,4 V DC |
| Current consumption without load | 300 mA |
| Electrical interface² | RS 485 galvanically isolated |
| Max bus frequency | 12 Mbaud |
| Diagnostic features | frequency warning position warning / alarm please refer to installation manual for more informations |
| Max frequency | max 25 kHz LSB |
| Code type | binary |
| Counting direction | programmable during commissioning |
| Start-up time | 500 ms |
| Accuracy | ± 1/2 LSB |
| Electromagnetic compatibility | according to 2014/30/EU directive |
| RoHS | according to 2011/65/EU directive |
| UL / CSA | certificate n. E212495 |

MECHANICAL SPECIFICATIONS

| | |
|--|---|
| Shaft diameter | Ø 9,52 / 10 / 11 mm |
| Enclosure rating | X = IP 54 (IEC 60529) S = IP 66 (IEC 60529) |
| Max rotation speed | IP 54 - 6000 rpm IP 66 - 3000 rpm |
| Max shaft load³ | 100 N axial / radial |
| Shock | 50 G, 11 ms (IEC 60068-2-27) |
| Vibration | 10 G, 10 ... 2000 Hz (IEC 60068-2-6) |
| Moment of inertia | 1,5 x 10 ⁻⁶ kgm ² (36 x 10 ⁻⁶ lbfft ²) |
| Starting torque (at +20°C / +68°F) | < 0,02 Nm (2,83 Ozin) IP 54 < 0,06 Nm (8,50 Ozin) IP 66 |
| Bearing stage material | EN-AW 2011 aluminum |
| Shaft material | 1.4305 / AISI 303 stainless steel |
| Housing material | painted aluminium |
| Bearings | n.2 ball bearings |
| Bearings life | 10 ⁹ revolutions |
| Operating temperature^{4,5} | 0° ... +60°C (+32° ... +140°F) |
| Storage temperature⁵ | -15° ... +70°C (+5° ... +158°F) |
| Weight | 750 g (26,46 oz) |

¹ as measured at the transducer without cable influences

² for further details refer to OUTPUT LEVELS on TECHNICAL BASICS section

³ maximum load for static usage

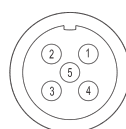
⁴ measured on the transducer flange

⁵ condensation not allowed

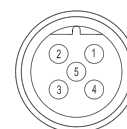
CONNECTIONS

| Function | POWER | BUS OUT | BUS IN |
|----------|-------|---------|--------|
| + V DC | 2 | | |
| 0 V | 4 | | |
| A | | 2 | |
| B | | 4 | |
| A | | | 2 |
| B | | | 4 |

POWER connector (5 pin)
M12 A coded
view solder side FV



BUS OUT - female (5 pin)
M12 B coded
solder side view FV



BUS IN - male (5 pin)
M12 B coded
solder side view MV

