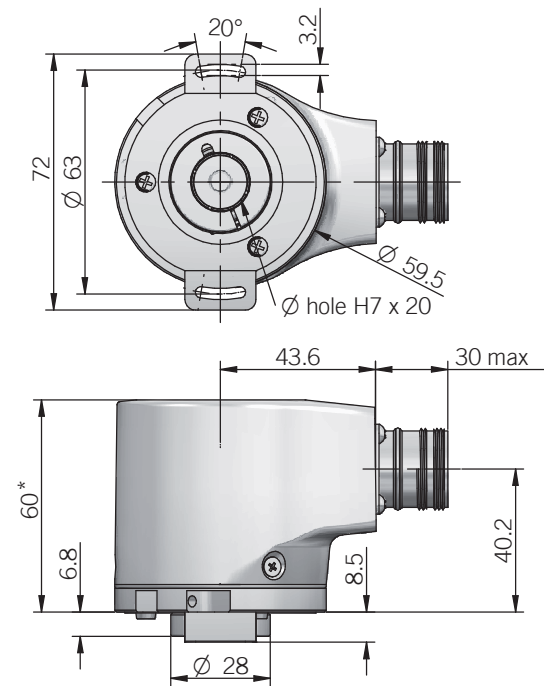


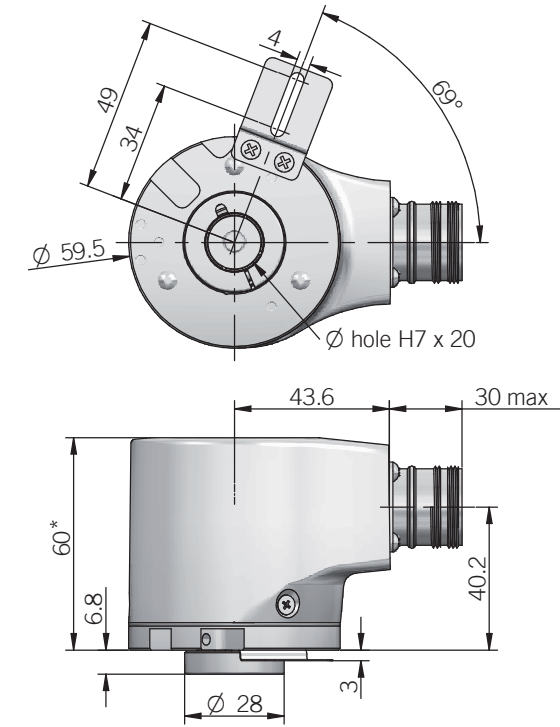
ORDERING CODE	EAR	58F	13	G	8/30	S	X	2048	RS	15	X	HA	R	.162	+XXX
SERIES singleturn absolute encoder EAR															
MODEL blind hollow shaft with stator coupling 58F blind hollow shaft with torque stop slot 63F blind hollow shaft with torque pin 63G															
RESOLUTION bit 13 / 16 / 17 / 18 / 21 / 25 ppr 360 / 720 / 1440 / 2880 / 3600															
CODE TYPE binary B gray G (no powers of 2) binary offset code (0-XXX) BC (no powers of 2) gray offset code (0-XXX) GC															
POWER SUPPLY 8 ... 30 V DC 8/30															
ELECTRICAL INTERFACE Serial Synchronous Interface - SSI S															
OPTION to be reported if not used X reset with external input ZE reset on cover or with external input ZP															
INCREMENTAL RESOLUTION (powers of 2) ppr from 128 to 8192															
INCREMENTAL ELECTRICAL INTERFACE available with PC or HA output type line driver HTL L push pull P line driver RS-422 RS															
BORE DIAMETER mm 14 mm 15 diameters 6 / 8 / 9,52 (3/8") / 10 / 11 / 12 mm with optional shaft adapter, see Accessories															
ENCLOSURE RATING IP 65 shaft side / IP67 cover side X IP 67 S															
OUTPUT TYPE cable (standard length 1,5 m) PC preferred cable lengths 2 / 3 / 5 / 10 m, to be added after DIRECTION TYPE (eg. PCR5) (without reset option) 7 pin MIL male connector MC (with reset option) 10 pin MIL male connector MD 12 pin M23 male connector HA 8 pin M12 male connector M12															
DIRECTION TYPE radial R															
MATING CONNECTOR mating connector not included .162 to be reported only with connector output (eg. HAR.162), for mating connector see Accessories															
VARIANT custom version XXX															

to be added with incremental output

58 F

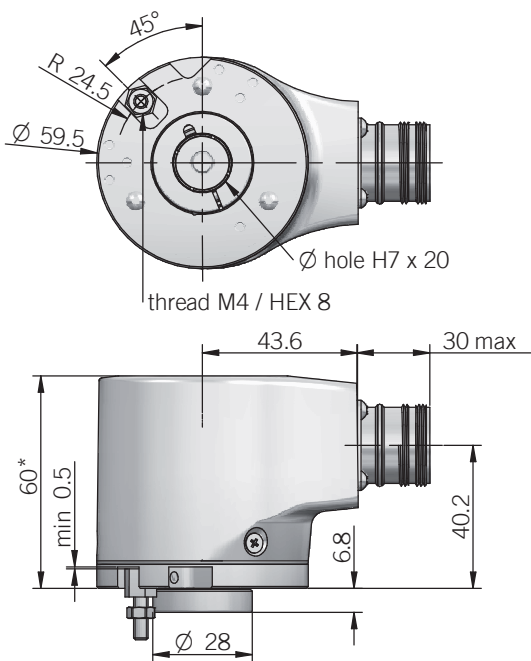


63 F



for torque pin please refer to Accessories

63 G



torque pin is included

* with option ZP +1,5 mm
recommended mating shaft tolerance g6
dimensions in mm

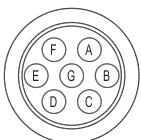
BIT PARALLEL CONNECTIONS

Function	Binary / Gray	Cable PD	Cable PE	19 pin MA
bit 1 (LSB)	B ⁰ / G ⁰	green	green	A
bit 2	B ¹ / G ¹	yellow	yellow	B
bit 3	B ² / G ²	blue	blue	C
bit 4	B ³ / G ³	brown	brown	D
bit 5	B ⁴ / G ⁴	orange or pink	orange or pink	E
bit 6	B ⁵ / G ⁵	white	white	F
bit 7	B ⁶ / G ⁶	grey	grey	G
bit 8	B ⁷ / G ⁷	purple	purple	H
bit 9	B ⁸ / G ⁸	grey / pink	grey / pink	J
bit 10	B ⁹ / G ⁹	white / green	white / green	K
bit 11	B ¹⁰ / G ¹⁰	brown / green	brown / green	L
bit 12	B ¹¹ / G ¹¹	white / yellow	white / yellow	M
bit 13	B ¹² / G ¹²	yellow / brown	yellow / brown	N
STROBE	/	/	green / blue	P
LATCH	/	/	yellow / grey	R
0 V	/	black	black	T
U / D	/	red / blue	red / blue	U
RESET	/	/	pink / green	/
+ V DC	/	red	red	V
≡	/	shield	shield	S

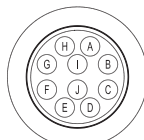
SSI CONNECTIONS

Function	Cable PC	7 pin MC	10 pin MD	12 pin HA	12 pin HA	8 pin M12
+ V DC	red	G	G	8	8	8
0 V	black	F	F	1	1	5
DATA +	green	C	C	2	2	3
DATA -	brown	D	D	10	10	2
CLOCK +	yellow	A	A	3	3	4
CLOCK -	orange or pink	B	B	11	11	6
A+	grey	/	/	/	6	/
A-	blue	/	/	/	7	/
B+	purple	/	/	/	9	/
B-	white / green	/	/	/	12	/
U / D	red / blue	E	E	5	5	7
RESET	white	/	H	4	4	1
≡	shield	housing	housing	9	housing	housing

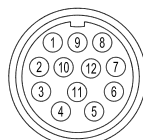
MC connector (7 pin)
Amphenol MS3102-E-16-S
solder side view FV



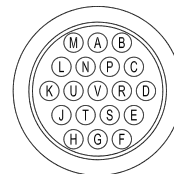
MD connector (10 pin)
Amphenol MS3102-E-18-1P
solder side view FV



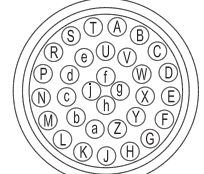
HA connector (12 pin)
M23 CCW Hummel
7.410.000000 - 7.002.912.603
solder side view FV



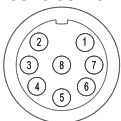
MA connector (19 pin)
Amphenol 62IN 12E 14-19 P
solder side view FV



ME connector (32 pin)
Glenair IPT 02 A 18-32 P F6
solder side view FV



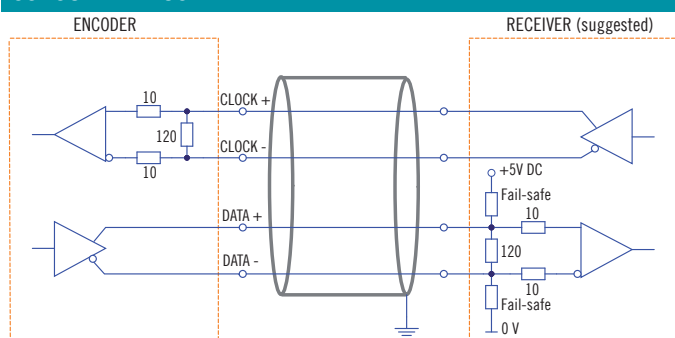
M12 connector (8 pin)
M12 A coded
solder side view FV



ELECTRICAL SPECIFICATIONS

Resolution	P = from 90 ppr to 13 bit S = from 360 ppr to 25 bit
Power supply¹	7,6 ... 30 V DC (reverse polarity protection)
Power draw without load	< 1 W
Max load current	20 mA / channel
Absolute electrical interface²	P = push pull (iC-DL) S = RS-422 (THVD1451 or similar)
Incremental electrical interface²	L = HTL diff. (AEIC-7272, active short circuit protection) P = Push-Pull (AEIC-7272, active short circuit protection) RS = RS-422 (AELT-5000 or similar)
Max incremental output frequency	128 kHz
Auxiliary inputs (U/D - RESET - LATCH)	active high (+V DC) connect to 0 V if not used / RESET - LATCH t_{min} 150 ms
Max frequency	50 kHz LSB (Bit Parallel) clock input: 100 kHz ... 1 MHz (SSI)
Code type	binary or gray
Logic	SSI = positive Bit parallel = positive or negative
SSI monostable time (T_m)	20 μ s
SSI pause time (T_p)	> 35 μ s
SSI frame	left aligned format (MSB ... LSB) up to 13 bit = length 13 bit from 14 to 21 bit = length 21 bit from 22 to 25 bit = length 25 bit
SSI status and parity bit	on request
Counting direction	decreasing clockwise (shaft view)
Start-up time	700 ms
Accuracy	\pm 250 arc-sec
Electromagnetic compatibility	according to 2014/30/EU directive
RoHS	according to 2011/65/EU directive
UL / CSA	certificate n. E212495

SSI SCHEMATICS



MECHANICAL SPECIFICATIONS

Bore diameter	ϕ 14 / 15 mm ϕ 6* / 8* / 9,52 (3/8")* / 10* / 11* / 12* * with optional shaft adapter, please refer to Accessories
Enclosure rating IEC 60529	X = IP 65 shaft side / IP67 cover side S = IP 67
Max rotation speed	see table
Max shaft load³	200 N axial / 60 N radial
Shock	50 G, 11 ms (IEC 60068-2-27)
Vibration	10 G, 10 ... 2000 Hz (IEC 60068-2-6)
Moment of inertia	5×10^{-6} kgm ² (119 x 10 ⁻⁶ lbf ²)
Starting torque (at +20°C / +68°F)	< 0,03 Nm (4,25 Ozin)
Bearing stage material	EN-AW 2011 aluminum
Shaft material	1.4305 / AISI 303 stainless steel
Housing material	painted aluminium
Bearings	n.2 ball bearings
Bearings life	10 ⁹ revolutions
Operating temperature Bit parallel^{4, 5}	-20° ... +85°C (-4 ... +185°F)
Operating temperature SSI^{4, 5}	-40° ... +85°C (-40° ... +185°F) -20° ... +85°C (-4° ... +185°F) with cable output -25° ... +85°C (-13° ... +185°F) with M12 connector
Storage temperature⁵	-20° ... +85°C (-4° ... +185°F)
Weight	approx 300 g (10,58 oz)

¹ as measured at the transducer without cable influences² for further details refer to OUTPUT LEVELS on TECHNICAL BASICS section³ maximum load for static usage⁴ measured on the transducer flange⁵ condensation not allowed

ROTATION SPEED DERATING TABLE

	Temperature °C (°F)	Max speed (rpm)	Max continuous speed (rpm)
IP65	up to +70 (+158)	9000	6000
	+70 ... 85 (+158 ... 185)	6000	3000
IP67	up to +70 (+158)	8000	6000
	+70 ... +85 (+158 ... 185)	4000	2000