

MAIN FEATURES

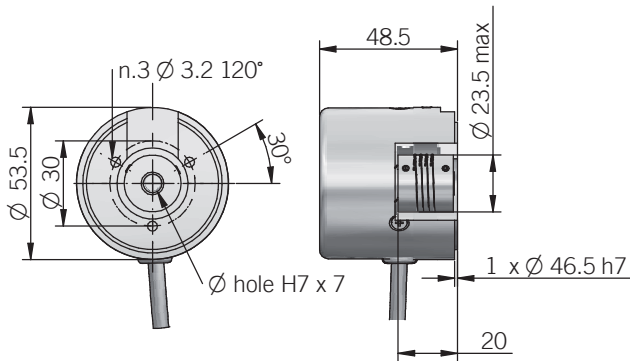
Encoder series for direct mounting on motors; integrated elastic coupling allows radial and axial shaft play.

- 3 channel encoder (A / B / Z) up to 1024 ppr
- Power supply up to +24 V DC with several electrical interfaces available
- Up to 150 kHz output frequency
- Cable output, connectors available on cable end
- Up to 10 mm bore diameter
- Integrated elastic couplig



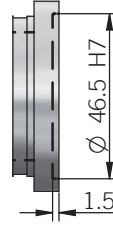
ORDERING CODE	EH	53A	500	S	8/24	P	8	X	6	PR.N	XXX
SERIES incremental encoder series EH											
MODEL adjustable flange model 53A adjustable flange model 53B											
RESOLUTION ppr from 50 to 1024 refer to the available pulses list											
ZERO PULSE without zero pulse S with zero pulse Z											
POWER SUPPLY (with L electrical interface) 5 V DC 5 8 ... 24 V DC 8/24											
ELECTRICAL INTERFACE NPN open collector C push-pull P line driver L											
BORE DIAMETER mm 6 mm 8 mm 10											
ENCLOSURE RATING IP 54 X											
MAX ROTATION SPEED 6000 rpm 6											
OUTPUT TYPE radial cable (standard length 0,5 m) PR.N preferred cable lengths 1,5 / 2 / 3 / 5 / 10 m, to be added after OUTPUT TYPE (eg. PR5)											
VARIANT custom version XXX											

53 A



recommended mating shaft tolerance g6
dimensions in mm

53 B interface



ELECTRICAL SPECIFICATIONS

Resolution	from 100 to 1024 ppr
Power supply ¹	5 = 4,5 ... 5,5 V DC 8/24 = 7,6 ... 25,2 V DC (reverse polarity protection)
Current consumption without load	100 mA max
Max load current	C / P = 50 mA / channel L = 20 mA / channel
Electrical interface ²	NPN open collector (pull-up max +30V DC) push-pull / line driver HTL (AEIC-7272) line driver RS-422 (AELT-5000 or similar)
Max output frequency	150 kHz
Counting direction	A leads B clockwise (shaft view)
Electromagnetic compatibility	according to 2014/30/EU directive
RoHS	according to 2011/65/EU directive
UL / CSA	certificate n. E212495

CONNECTIONS

Function	Cable C / P	Cable L
+V DC	red	red
0 V	black	black
A+	green	green
A-	/	brown or grey
B+	yellow	yellow
B-	/	orange
Z+	blue	blue
Z-	/	white
≡	shield	shield

MECHANICAL SPECIFICATIONS

Bore diameter	Ø 6 / 8 / 10 mm
Enclosure rating	IP 54 (IEC 60529)
Max rotation speed	6000 rpm
Shock	50 G, 11 ms (IEC 60068-2-27)
Vibration	10 G, 10 ... 2000 Hz (IEC 60068-2-6)
Moment of inertia	1 x 10 ⁻⁶ kgm ² (24 x 10 ⁻⁶ lbf ²)
Starting torque (at +20°C / +68°F)	< 0,01 Nm (1,42 Ozin)
Bearing stage material	EN-AW 2011 aluminum
Shaft material	1.4305 / AISI 303 stainless steel
Housing material	PA66 glass fiber reinforced
Bearings	n.2 ball bearings
Bearings life	10 ⁹ revolutions
Operating temperature ^{3,4}	-10° ... +60°C (+14° ... +140°F)
Storage temperature ⁴	-25° ... +70°C (-13° ... +158°F)
Weight	150 g (5,29 oz)

¹ as measured at the transducer without cable influences

² for further details refer to OUTPUT LEVELS on TECHNICAL BASICS section

³ measured on the transducer flange

⁴ condensation not allowed

RESOLUTIONS

50 - 100 - 120 - 125 - 128 - 150 - 180 - 200 - 250 - 256 - 300 - 360 - 400 - 500 - 512 - 600 - 720 - 1000 - 1024

please directly contact our offices for other pulses