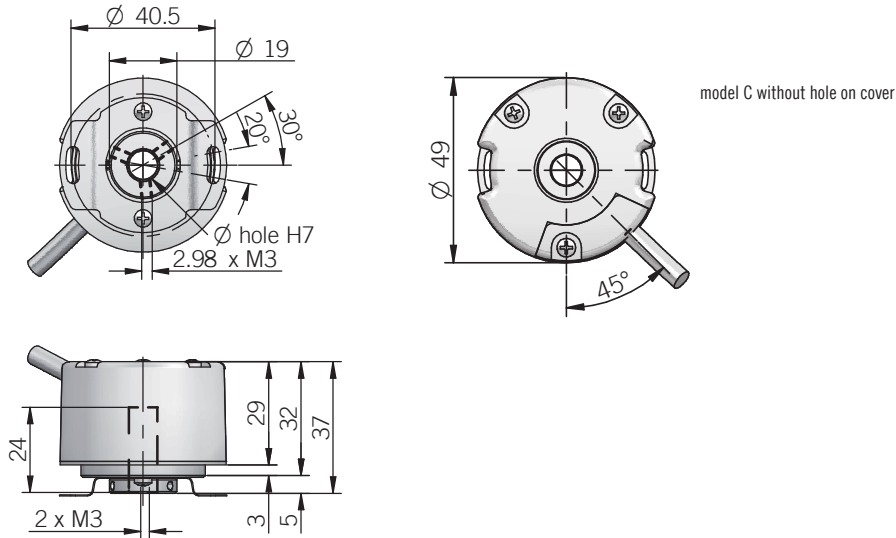


48 C / P



model C without hole on cover

recommended mating shaft tolerance g6
dimensions in mm

ELECTRICAL SPECIFICATIONS

Resolution	from 100 to 2048 ppr
Power supply¹	5 = 4,5 ... 5,5 V DC 8/24 = 7,6 ... 25,2 V DC
Current consumption without load	100 mA max
Max load current	C / P = 30 mA / channel L = 20 mA / channel
Electrical interface²	NPN open collector (pull-up max +30V DC) push-pull / line driver HTL (AEIC-7272) line driver RS-422 (AELT-5000 or similar)
Max output frequency	150 kHz
Counting direction	A leads B clockwise (shaft view)
Electromagnetic compatibility	according to 2014/30/EU directive
RoHS	according to 2011/65/EU directive
UL / CSA	certificate n. E212495

CONNECTIONS

Function	Cable C / P	Cable L
+V DC	red	red
0 V	black	black
A+	green	green
A-	/	brown or grey
B+	yellow	yellow
B-	/	orange
Z+	blue	blue
Z-	/	white
⏏	shield	shield

MECHANICAL SPECIFICATIONS

Bore diameter	∅ 6 / 8 mm
Enclosure rating	IP 40 (IEC 60529)
Max rotation speed	6000 rpm
Shock	50 G, 11 ms (IEC 60068-2-27)
Vibration	10 G, 10 ... 500 Hz (IEC 60068-2-6)
Moment of inertia	2,5 x 10 ⁻⁶ kgm ² (59 x 10 ⁻⁶ lbft ²)
Starting torque (at +20°C / +68°F)	< 0,01 Nm (1,42 Ozin)
Bearing stage material	EN-AW 2011 aluminum
Shaft material	1.4305 / AISI 303 stainless steel
Housing material	PA 66 glass fiber reinforced
Bearings	n.2 ball bearings
Bearings life	10 ⁹ revolutions
Operating temperature^{3,4}	-20° ... +85 °C (-4° ... +185°F)
Storage temperature⁴	-25° ... +85°C (-13° ... +185°F)
Weight	100 g (3,53 oz)

¹ as measured at the transducer without cable influences

² for further details refer to OUTPUT LEVELS on TECHNICAL BASICS section

³ measured on the transducer flange

⁴ condensation not allowed

RESOLUTIONS

100 - 200 - 360 - 400 - 500 - 512 - 1000 - 1024 - 2000 - 2048

please directly contact our offices for other pulses, preferred resolutions in bold