

MAIN FEATURES

Rope encoder series with steel rope available for lengths up to 15 m.
The attached encoder can be incremental or absolute.
Perfectly suitable also for harsh environments, thanks to its excellent mechanical strength.
It can be used in wide range of applications such as: vertical warehouses, presses, extruders, etc.



ORDERING CODE

FES 3000 A -58B

| | |
|-----------------------------|---|
| SERIES | rope encoder for linear measures FES |
| WORKING STROKE | 3 m 3000 6 m 6000 15 m 15000 |
| OUTPUT TYPE | horizontal output A |
| ENCODER FLANGE MODEL | 58B |

Incremental or absolute (model 58B) must be ordered together.
Please add letter F before standard encoder ordering code.
Example:

- 1) with incremental encoder ordering code will be : FER58B ...
- 2) with absolute multiturn encoder ordering code will be : FEAMR58BR ...
- 3) with absolute Profinet multiturn encoder ordering code will be : FAAM58B ...

Complete ordering code example:

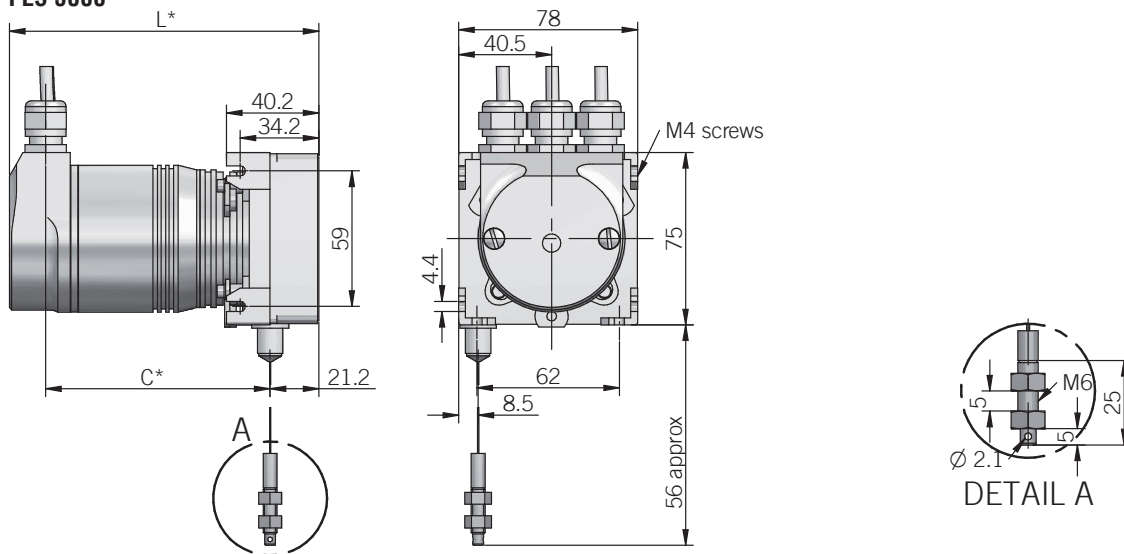
FES3000A-58B

FER58B1024Z5/28L6X3PR

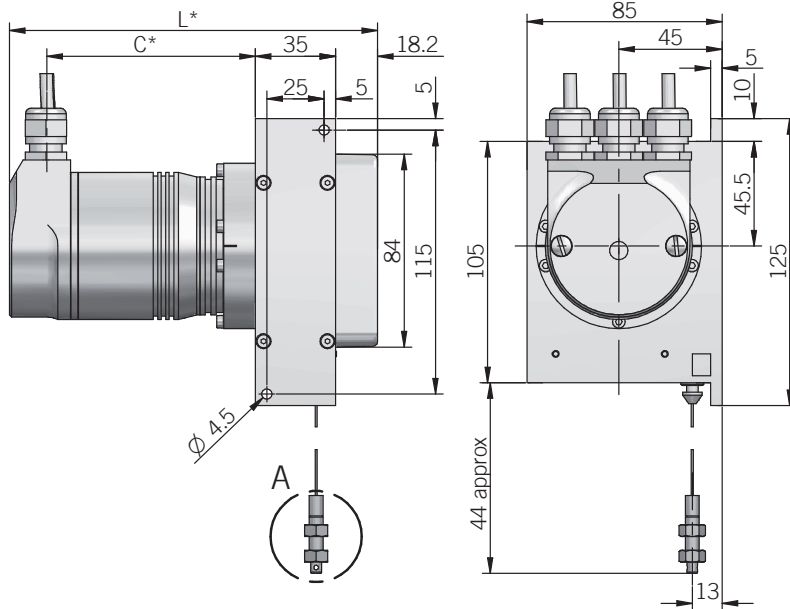
MECHANICAL SPECIFICATIONS

| Model | FES 3000 | FES 6000 | FES 15000 |
|-----------------------------------|----------------------------------|---------------------------------|----------------------------------|
| Max length measurement | 3 m | 6 m | 15 m |
| Drum circumference | 200 mm | 200 mm | 500 mm |
| Wire diameter | 0,87 mm | 0,6 mm | 0,87 mm |
| System accuracy | / | ± 0,1% | ± 0,1% |
| Repeat accuracy | ± 0,15 mm | ± 0,15 mm | ± 0,2 mm |
| Max speed | 0,8 m/s | 3 m/s | ≤ 2,4 m/s |
| Max acceleration | / | ≤ 23,5 m/s ² | / |
| Pull-out force required | ≥ 3 N | ≥ 8 N | ≥ 15,5 N |
| Housing material | aluminum / plastic | | aluminium die casting |
| Rope material | steel | | steel rope, synthetically coated |
| Enclosure rating | depends on encoder IP | | |
| Shock (IEC 60068-2-27) | / | 50 G, 11 ms | / |
| Vibrations (IEC 60068-2-6) | / | 10 G, 5 ... 150 Hz | / |
| Operating temperature | -40° ... +80°C (-40° ... +176°F) | -20° ... +80°C (-4° ... +176°F) | -40° ... +80°C (-40° ... +176°F) |
| Weight | 350 g (12,35 oz) + encoder | 600 g (24,69 oz) + encoder | 2500 g (88,18 oz) + encoder |
| (EL-ER 58B) L* | 95 mm | 120 mm | 114 mm |
| (EAM 58BR) L* | 109 mm | 134 mm | 128 mm |
| (EAM 58B PROFIBUS) L* | 135 mm | 160 mm | 154 mm |
| (EL-ER 58B) C* | 58 mm | 50 mm | 99,5 mm |
| (EAM 58BR) C* | 70 mm | 62 mm | 100,5 mm |
| (EAM 58B PROFIBUS) C* | 98 mm | 90 mm | 127,2 mm |

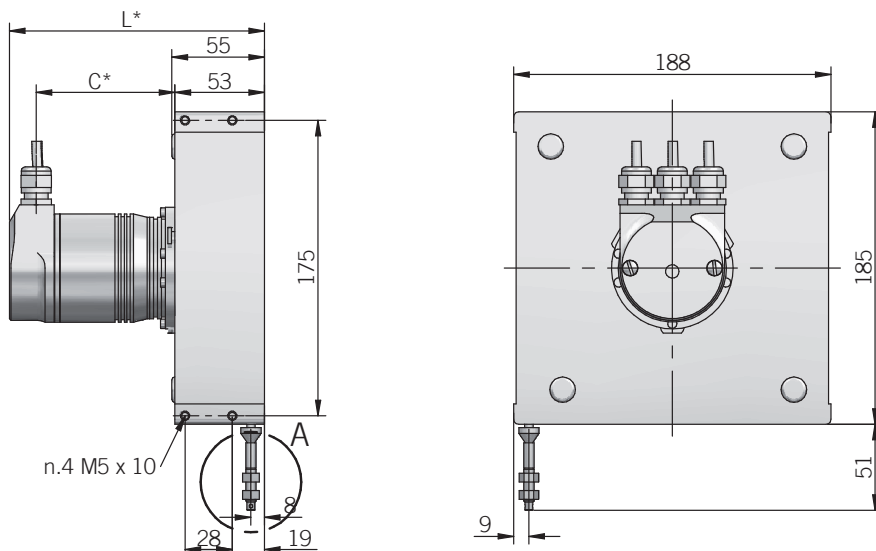
FES 3000



FES 6000



FES 15000



dimensions in mm

FES installation notes

A 5 mm wire extension is recommended before the measurement starting point.

This prevents the wire snapping back to the stop on rewinding. Wire should be pulled out straight in line with wire outlet; the wire must not spring back loosely, it must be stressed by spring force in every situation and movement.

Do not twist or bend the wire seat or wire.

Do not open the spring case of the rope encoder.

Do not extend the wire beyond the specified maximum extension length.