

**Filters (F)**

**AIR TREATMENT**


- ▶ Double filter action: air flow centrifugation and filter element
- ▶ Available in 4 sizes with flow rates up to 14000 NI/min and connections from 1/8" to 1"
- ▶ Filtering cartridge made of HDPE available in three different filtration grades (5 µm, 20 µm, 50 µm)
- ▶ Filter cartridge can be regenerated by washing / blowing it or replaced
- ▶ Bowl assembly via bayonet type quick coupling mechanism with safety button
- ▶ Semi-automatic or automatic drain
- ▶ Atex certification (II 2GD or II 3GD)
- ▶ Inlet pressures up to 20 bar


**Note**

In order to ensure that any fluid discharged by the auto drain assembly is adequately drained away, it is recommended you use a 6 mm fitting and tube.

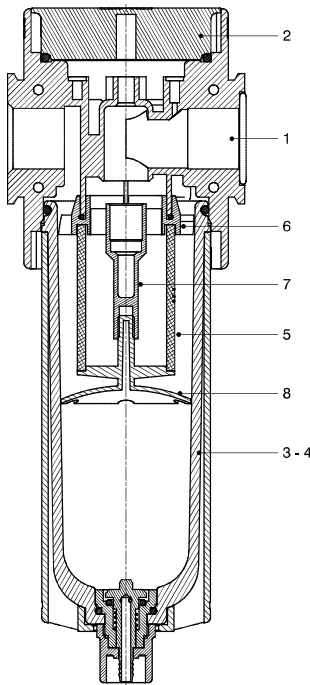
Technical characteristics					
Size		Size 1	Size 2	Size 3	Size 4
<b>Body and connections type</b>		Technopolymer body, integrated technopolymer connections (T version) Technopolymer body, metal connections (N version)			/
		/	Aluminium body, integrated aluminium connections (P - L versions)		
<b>Protection and bowl type</b>		Technopolymer protection - PC bowl Technopolymer protection - PA bowl			
		/	Metal protection - PC bowl Metal protection - PA bowl Metal bowl (blind metal bowl)		
<b>IN / OUT connections</b>	<b>T version</b>	G1/4"	G3/8"	G1/2"	not available
	<b>N version</b>	G1/8" - G1/4" - 1/4" NPT	G3/8" - G1/4" - 3/8" NPT	G3/8" - G1/2" - 1/2" NPT	
	<b>P and L version</b>	not available	G3/8" - 1/4" NPT	G1/2" - 1/2" NPT	
<b>Assembly configuration</b>		Stand alone			
		/			
<b>Assembly positions</b>		Vertical ±5°			
<b>Filter pore size</b>		5 µm 20 µm 50 µm			
<b>Bowl capacity</b>		18 cm <sup>3</sup>	34 cm <sup>3</sup>	68 cm <sup>3</sup>	90 cm <sup>3</sup>
<b>Condensation drain</b>		Semi-automatic Automatic			
<b>Max. fittings torque IN / OUT connections</b>		G1/8" metal: 15 Nm G1/4" metal: 20 Nm G1/4" technopolymer: 9 Nm	G1/4" metal: 20 Nm G3/8" metal: 25 Nm G3/8" technopolymer: 16 Nm	G3/8" metal: 25 Nm G1/2" metal: 30 Nm G1/2" technopolymer: 22 Nm	G1" metal: 35 Nm

Operational characteristics								
Size	Size 1	Size 2	Size 3	Size 4	Size 1	Size 2	Size 3	Size 4
<b>Condensation drain</b>	Semi-automatic				Automatic			
<b>Maximum working pressure</b>	13 bar				10 bar			
	/	20 bar (only with body and metal bowl)			/	16 bar (only with body and metal bowl)		
<b>Minimum working pressure</b>	0,5 bar				0,5 bar			
<b>Working temperature</b>	-5 °C ... +50 °C				-5 °C ... +50 °C			
	/	-30 °C ... +80 °C (only for P version and metal bowl) -40 °C ... +80 °C (only for L version and metal bowl)						

Weights					
	Size	Size 1	Size 2	Size 3	Size 4
Fully technopolymer version		129 g	226 g	355 g	/
Technopolymer body version, aluminium bowl protection and technopolymer bowl		/	257 g	393 g	/
Technopolymer body version, aluminium bowl		/	301 g	465 g	/
Aluminium body version, technopolymer protection and bowl		/	314 g	477 g	1163 g
Aluminium body version, aluminium bowl protection and technopolymer bowl		/	344 g	514 g	1306 g
Aluminium body version and aluminium bowl		/	389 g	587 g	1330 g

**Materials**

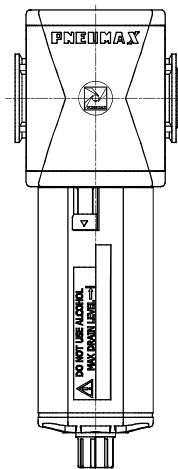
Exploded sectioned



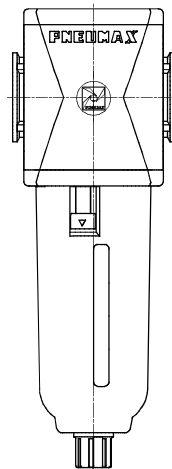
Filter		
1	Body	Polyamide Die-cast aluminium
2	Plug	Polyamide
3	Technopolymer bowl	Polycarbonate Polyamide
4	Metal bowl Bowl protection	Die-cast aluminium Polyamide - Die-cast aluminium
5	Filtering element	Polyethylene
6	Baffle	Acetal resin
7	Spool support	Acetal resin
8	Filtering element support	Acetal resin

**Design**

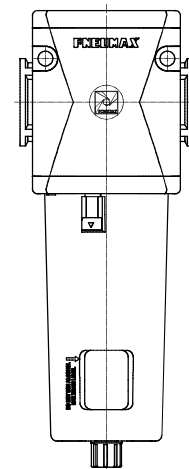
Size 1 - Size 2 - Size 3  
Technopolymer protection



Size 1 - Size 2 - Size 3  
Protection / Metal bowl



Size 4  
All versions



AIR TREATMENT



**Order codes**

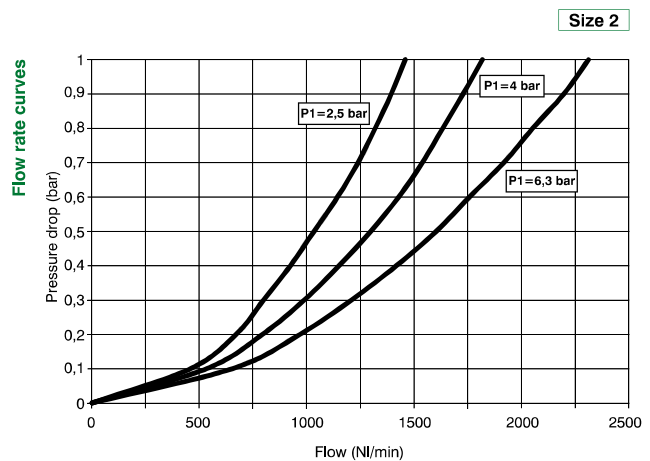
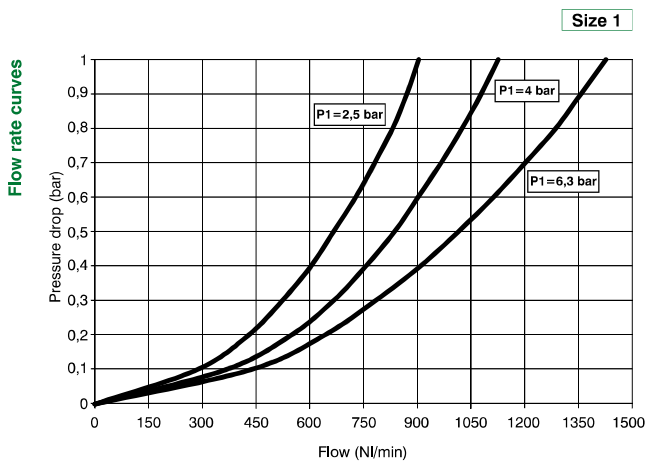
AIR TREATMENT

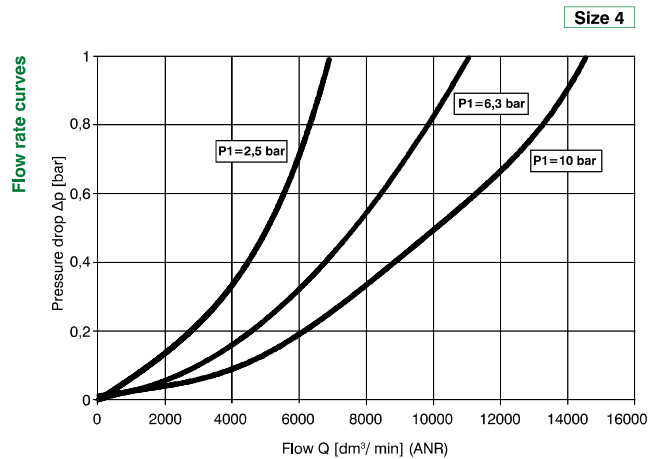
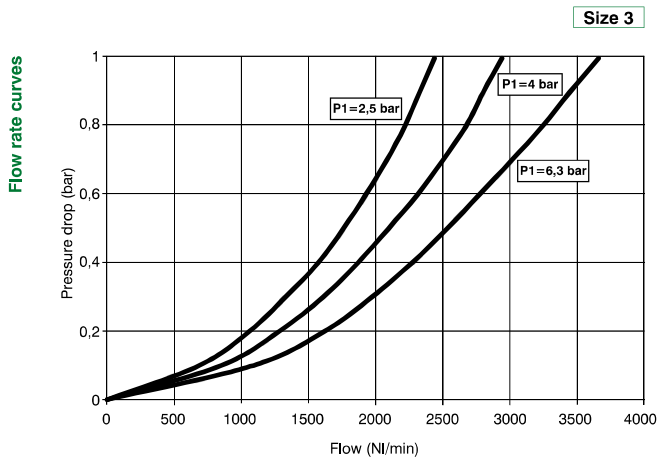
T 17 3B F B S T

Version	
N	: Technopolymer body and metal inserts (not available for size 4)
T	: Technopolymer body and thread (not available for size 4)
P	: Aluminum body (not available for size 1)
L	: Aluminum body, low temperature (not available for size 1)
Size and connections	
1A	: Size 1 - G1/8" only for N version
1B	: Size 1 - G1/4" only for T - N versions
1C	: Size 1 - 1/4" NPT only for N version
2A	: Size 2 - G1/4" only for N version
2B	: Size 2 - G3/8" for all versions
2C	: Size 2 - 3/8" NPT only for N version - 1/4" NPT only for P - L versions
3A	: Size 3 - G3/8" only for N version
3B	: Size 3 - G1/2" for all versions
3C	: Size 3 - 1/2" NPT only for N - P - L versions
4B	: Size 4 - G1" only for P - L versions
4C	: Size 4 - 1" NPT only for P - L versions
Filter pore size	
A	: 5 $\mu$ m
B	: 20 $\mu$ m
C	: 50 $\mu$ m
Condensation drain	
	: Semi-automatic drain
S	: Automatic drain
Bowl options	
	: Technopolymer protection - PC bowl
N	: Technopolymer protection - PA bowl
P	: Metal protection - PC bowl (not available for size 1)
R	: Metal protection - PA bowl (not available for size 1)
T	: Metal bowl (not available for size 1)

**Example : T173BFBST** : Size 3 filter G1/2" 20  $\mu$ m, automatic drain and metal bowl

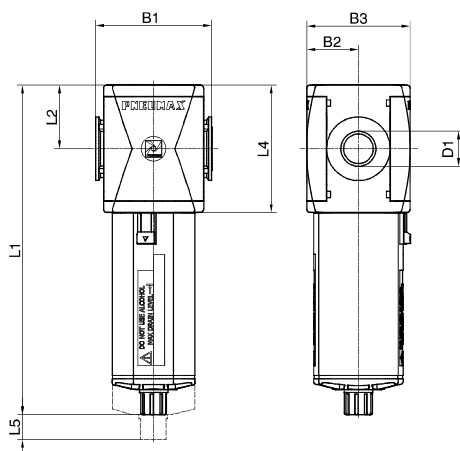
**Characteristic curves**



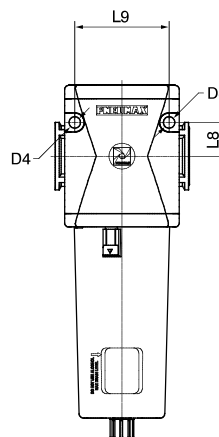


**Dimensioni**

Semi-automatic drain version



Fixing holes dimension detail  
(only for size 4)



Model	B1	B2	B3	D1	D4	L1 - Bowl material		L2	L4	L5	L8	L9
						Technopolymer	Metal					
#171..	48	21	42	G1/8" G1/4" 1/4" NPT	/	148	/	27,5	55	40	/	/
#172..	62	28,5	57	G1/4" G3/8" 1/4" NPT 3/8" NPT	/	169,1	171,5	34	68	50	/	/
#173..	73	32,5	65	G3/8" G1/2" 1/2" NPT	/	207,2	209,5	40	80	65	/	/
#174..	99	44	88	G1" 1" NPT	8,5	262	264,5	52,5	105	103	25	70

Variable dimensions



AIR TREATMENT



Model	L8 - Bowl material		D7
	Technopolymer	Metal	
Semi-automatic drain	15,7	18	Plastic hose connector Ø6
Automatic drain	2	4,5	G1/8"