

Form C Connector



800.909.4988
info@rankinusa.com

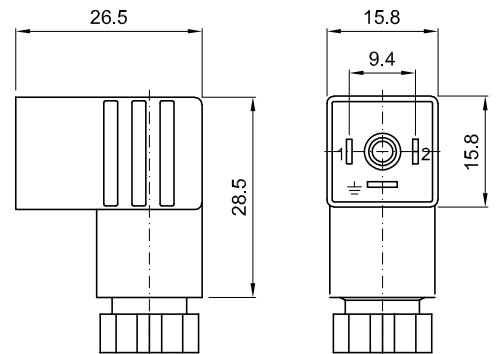
RANKIN 
COMPONENTS THAT AUTOMATE

Connector code 10348040

AMP 2.8x0.5 connector

Contact distance: 9.4mm
Protection class: IP65
Working temperature: -40°C +90°C
Fixing method: M3 central screw
Gland size: PG7 cable Ø4-6mm
(n°2 poles+earth)

Weight 0.010Kg



Connector code 10348060

DIN 43650 Form C connector

Contact distance: 8mm
Protection class: IP65
Working temperature: -40°C +90°C
Fixing method: M2.5 central screw
Gland size: PG7 cable Ø4-6mm
(n°2 poles+earth)

Weight 0.010Kg

