

# Form C Connector



800.909.4988  
info@rankinusa.com

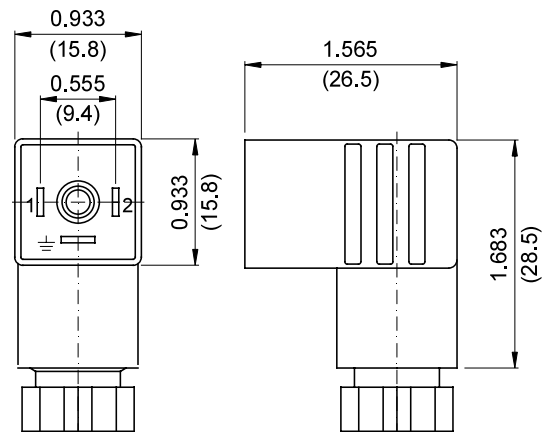
**RANKIN**   
COMPONENTS THAT AUTOMATE

## Connector code 10348040

AMP 2.8x0.5 connector

Contact distance: 0.555in (9.4mm)  
 Protection class: IP65  
 Working temperature: -40°F +212°F  
 Fixing method: M3 central screw  
 Gland size: PG7 cable Ø0.157-0.236in (Ø4-6mm)  
 (n°2 poles+earth)

Weight 0.022lb (0.010Kg)



## Connector code 10348060

DIN 43650 Form C connector

Contact distance: 0.472in (8mm)  
 Protection class: IP65  
 Working temperature: -40°F +212°F  
 Fixing method: M2.5 central screw  
 Gland size: PG7 cable Ø0.157-0.236in (Ø4-6mm)  
 (n°2 poles+earth)

Weight 0.022lb (0.010Kg)

