

Lubricators (L)
AIR TREATMENT


- ▶ Oil mist lubricator
- ▶ Available in 4 sizes with flow rates up to 16000 NI/min and connections from 1/8" to 1"
- ▶ Bowl assembly via bayonet type quick coupling mechanism with safety button
- ▶ Variable orifice size in function of the flow rate
- ▶ Oil quantity regulation mechanism and oil quantity visualization dome made of polycarbonate (PC)
- ▶ Oil refill plug
- ▶ Lubricator oil recharge with pressurized system
- ▶ Available with low level electrical sensor NO and NC
- ▶ Atex certification (II 2GD or II 3GD)



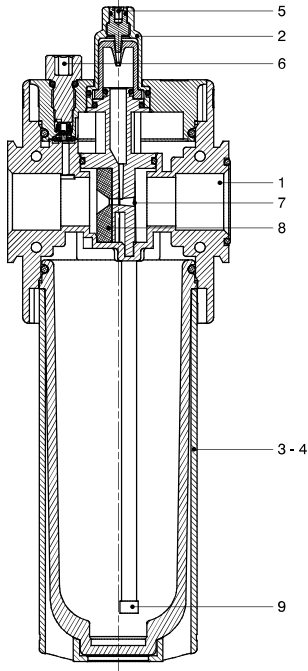
Technical characteristics		Size	Size 1	Size 2	Size 3	Size 4	
Body and connections type		Technopolymer body, integrated technopolymer connections (T version) Technopolymer body, metal connections (N version)				/	
		/				Aluminium body, integrated aluminium connections (P version)	
Protection and bowl type		Technopolymer protection - PC bowl Technopolymer protection - PA bowl				/	
		/				Metal protection - PC bowl Metal protection - PA bowl	
IN / OUT connections	T version	G1/4"		G3/8"		G1/2"	
	N version	G1/8" - G1/4" - 1/4" NPT		G3/8" - G1/4" - 3/8" NPT		G3/8" - G1/2" - 1/2" NPT	
	P version	not available		G3/8"		G1/2"	
Assembly configuration		Stand alone				/	
		/				Panel mounted	
Assembly positions		Vertical ±5°				/	
Bowl capacity		36 cm ³		70 cm ³		136 cm ³	
Lubrication type		Oil mist lubrication				/	
Oil level regulation		Manual, complete with visual indicator				/	
Max. fittings torque IN / OUT connections		G1/8" metal: 15 Nm G1/4" metal: 20 Nm G1/4" technopolymer: 9 Nm		G1/4" metal: 20 Nm G3/8" metal: 25 Nm G3/8" technopolymer: 16 Nm		G3/8" metal: 25 Nm G1/2" metal: 30 Nm G1/2" technopolymer: 22 Nm	
						G1" metal: 35 Nm	

Operational characteristics		Size	Size 1	Size 2	Size 3	Size 4	
Maximum working pressure		13 bar				/	
Minimum working pressure		0,5 bar				/	
Min. operational flow at 6,3 bar		40 NI/min		70 NI/min		100 NI/min	
Indicative oil drop rate		1 drope every 300/600 NI/min				/	
Oil type		FD22 - HG32				/	
Working temperature		-5 °C ... +50 °C				/	

Weights				
Size	Size 1	Size 2	Size 3	Size 4
Fully technopolymer version	121 g	215 g	347 g	/
Technopolymer body version, aluminium bowl protection and technopolymer bowl	/	245 g	383 g	/
Aluminium body version, technopolymer protection and bowl	/	315 g	477 g	1032 g
Aluminium body version, aluminium bowl protection and technopolymer bowl	/	345 g	513 g	1077 g

Materials

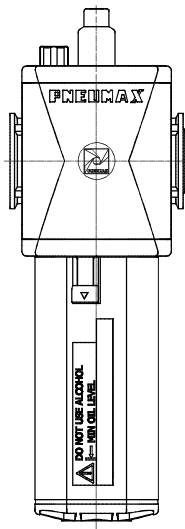
Exploded sectioned



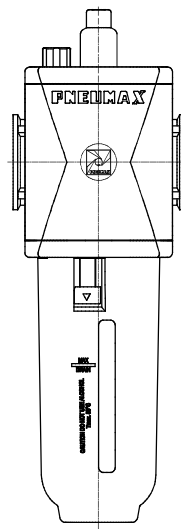
Lubricator		
1	Body	Polyamide Die-cast aluminium
2	Visual indicator	Polyamide
3	Technopolymer bowl	Polycarbonate Polyamide
4	Bowl protection	Polyamide - Die-cast aluminium
5	Oil regulation needle	Brass
6	Recharge plug	Acetal resin
7	Diaphragm support	Acetal resin
8	Diaphragm	NBR
9	Filter	Sintered brass

Design

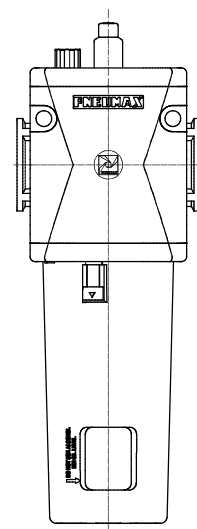
Size 1 - Size 2 - Size 3
Technopolymer protection



Size 1 - Size 2 - Size 3
Metal protection



Size 4
All versions





Order codes



AIR TREATMENT

T 17 **3B** L **A** **N**

Version

N : Technopolymer body and metal inserts (not available for size 4)
T : Technopolymer body and thread (not available for size 4)
P : Aluminium body (not available only for size 1)

Size and connections

1A : Size 1 - G1/8" only for N version
1B : Size 1 - G1/4" only for T - N versions
1C : Size 1 - 1/4" NPT only for N version
2A : Size 2 - G1/4" only for N version
2B : Size 2 - G3/8" for all versions
2C : Size 2 - 3/8" NPT only for N version
3A : Size 3 - G3/8" only for N version
3B : Size 3 - G1/2" for all versions
3C : Size 3 - 1/2" NPT only for N version
4B : Size 4 - G1" only for P version

Options

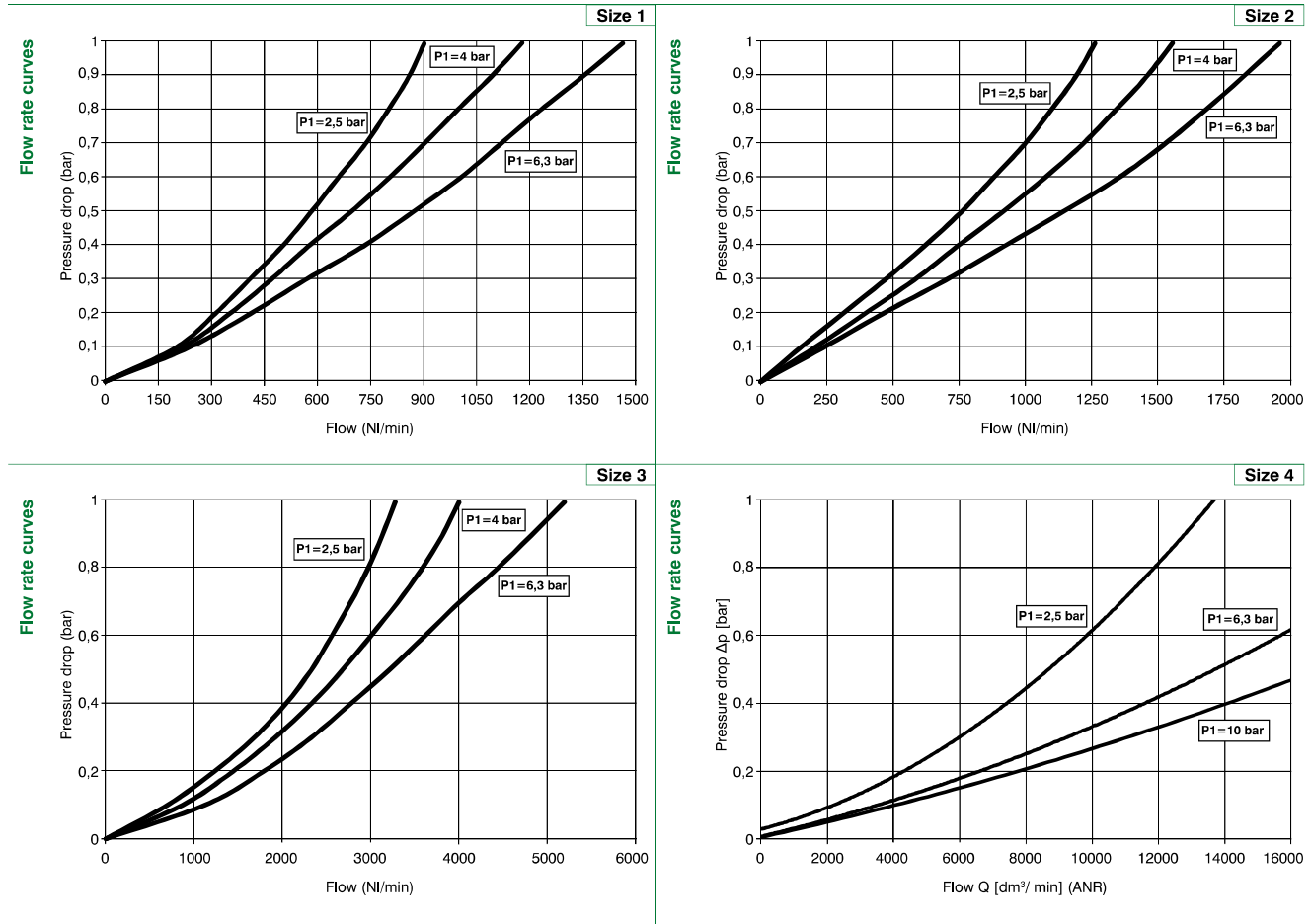
: No electric level sensor device
A : Electrical minimum level sensor NO (not available for size 1)
C : Electrical minimum level sensor NC (not available for size 1)

Bowl options

: Technopolymer protection - PC bowl
N : Technopolymer protection - PA bowl
P : Metal protection - PC bowl (not available for size 1)
R : Metal protection - PA bowl (not available for size 1)

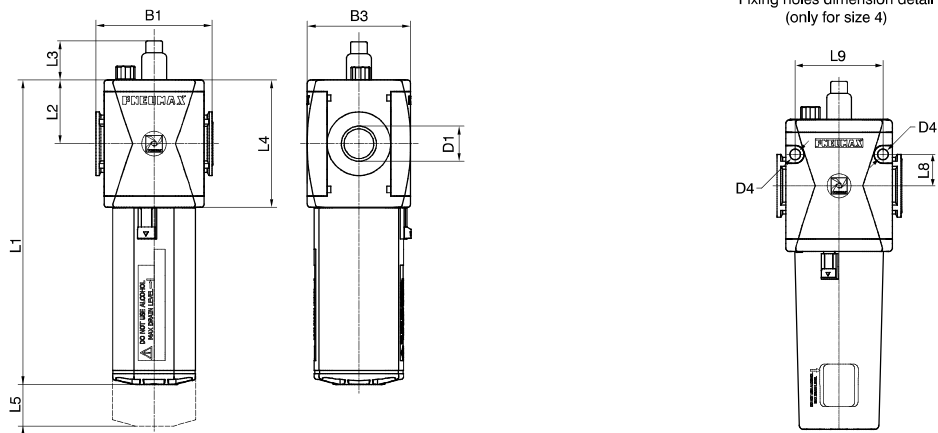
Example : T173BLAN : TG3 Lubricator G1/2", normally open low level electrical sensor, PA bowl with technopolymer protection

Characteristic curves



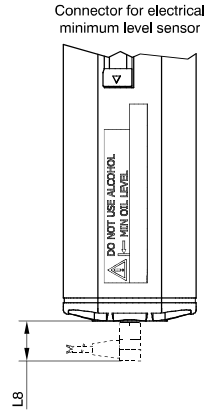
AIR TREATMENT

Dimensions



Model	B1	B3	D1	D4	L1	L2	L3	L4	L5	L8	L9
#171..	48	42	G1/8" G1/4" 1/4" NPT	/	131	27,5	24	55	80	/	/
#172..	62	57	G1/4" G3/8" 3/8" NPT	/	152.7	34	24	68	90	/	/
#173..	73	65	G3/8" G1/2" 1/2" NPT	/	191.4	40	24	80	120	/	/
#174..	99	88	G1"	8,5	247	52,5	24	105	145	25	70

Variable dimensions



Model	L8	Connectors for electrical connection
Electrical minimum level sensor NO (Normally open)	16	C1 - C2 - C3 (see sensors section of general catalog)
Electrical minimum level sensor NC (Normally closed)		

Accessories

Electrical connection details

C1 : connector with 2,5 m cable 2 wires (PVC Ø 3,5 mm 2x0,25 mm²)

C2 : connector with 5 m cable 2 wires (PVC Ø 3,5 mm 2x0,25 mm²)

C3 : connector with 10 m cable 2 wires (PVC Ø 3,5 mm 2x0,25 mm²)

For sensors SNAP 2 wires
connection 2 wires, 2 PIN

Sensor

Connector

1 Brown (+)
3 Blue (-)

SNAP code connectors	
C1	Ø 3,5 mm
C2	PVC
C3	2x 0,25 mm ²