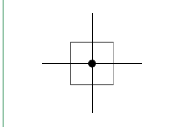


Air intake (PA)

AIR TREATMENT



- ▶ Pneumatic by-pass
- ▶ Available with 2 threaded connections
- ▶ Atex certification (II 2GD or II 3GD)



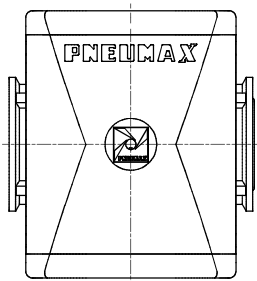
Technical characteristics					
Size		Size 1	Size 2	Size 3	Size 4
Body and connections type		Technopolymer body, integrated technopolymer connections (T version)			/
		Technopolymer body, metal connections (N version)			
		/	Aluminium body, integrated aluminium connections (P version)		
IN / OUT / INTAKE connections	T version	G1/4"	G3/8"	G1/2"	not available
	N version	G1/8" - G1/4" - 1/4" NPT	G3/8" - G1/4" - 3/8" NPT	G3/8" - G1/2" - 1/2" NPT	
	P version	not available	G3/8"	G1/2"	
Assembly configuration		Stand alone			
		/			Panel mounted
Assembly positions		Indifferent			
Max. fitting torque IN / OUT / INTAKE connections		G1/8" metal: 15 Nm G1/4" metal: 20 Nm G1/4" technopolymer: 9 Nm	G1/4" metal: 20 Nm G3/8" metal: 25 Nm G3/8" technopolymer: 16 Nm	G3/8" metal: 25 Nm G1/2" metal: 30 Nm G1/2" technopolymer: 22 Nm	G1" metal: 35 Nm

Operational characteristics					
Size		Size 1	Size 2	Size 3	Size 4
Maximum working pressure		13 bar			20 bar
Working temperature		-5 °C ... +50 °C			-30 °C ... +80 °C (only for P version)

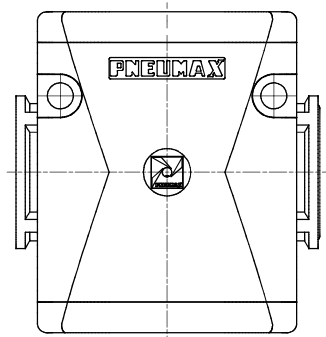
Weights						
		Size	Size 1	Size 2	Size 3	Size 4
Technopolymer body version			52 g	95,5 g	151 g	/
Aluminium body version			/	248 g	370 g	720 g

Design

Size 1 - Size 2 - Size 3



Size 4



Order codes

T 17 3B PA

Version

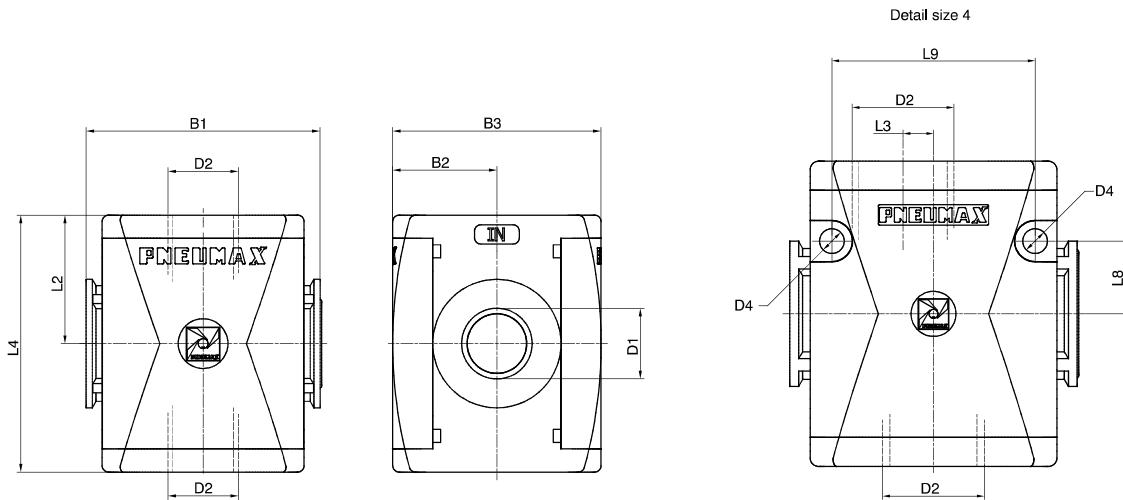
- N : Technopolymer body and metal inserts (not available for size 4)
- T : Technopolymer body and thread (not available for size 4)
- P : Aluminium body (not available only for size 1)

Size and connections

- 1A : Size 1 - G1/8" only for N version
- 1B : Size 1 - G1/4" only for T - N versions
- 1C : Size 1 - 1/4" NPT only for N version
- 2A : Size 2 - G1/4" only for N version
- 2B : Size 2 - G3/8" for all versions
- 2C : Size 2 - 3/8" NPT only for N version
- 3A : Size 3 - G3/8" only for N version
- 3B : Size 3 - G1/2" for all versions
- 3C : Size 3 - 1/2" NPT only for N version
- 4B : Size 4 - G1" only for P version

Example : T173BPA : Size 3 air intake G1/2"

Dimensions



Model	B1	B2	B3	D1	D2	D4	L2	L3	L4	L8	L9
#171..	48	21	42	G1/8" G1/4" 1/4" NPT	/	/	27,5	/	55	/	/
#172..	62	28,5	57	G3/8" G1/4" 3/8" NPT	/	/	34	/	68	/	/
#173..	73	32,5	65	G3/8" G1/2" 1/2" NPT	/	/	40	/	80	/	/
#174..	99	44	88	G1"	8,5	8,5	52,5	10,5	105	25	70