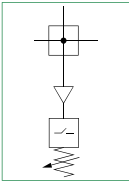


Pressure switch (PP)
AIR TREATMENT


- ▶ 2 to 10 bar adjustable pressure switch with electrical connection
- ▶ The electrical connection is made by mean of a 15 mm connector (DIN 43650 type C)
- ▶ The microswitch contact could be normally closed or open (change overswitch)



Technical characteristics					
Size		Size 1	Size 2	Size 3	Size 4
Body and connections type		Technopolymer body, integrated technopolymer connections (T version) Technopolymer body, metal connections (N version)			/
		/	Aluminium body, integrated aluminium connections (P version)		
IN / OUT / INTAKE connections	T version	G1/4"	G3/8"	G1/2"	not available
	N version	G1/8" - G1/4" - 1/4" NPT	G3/8" - G1/4" - 3/8" NPT	G3/8" - G1/2" - 1/2" NPT	
	P version	not available	G3/8"	G1/2"	G1"
Assembly configuration		Stand alone			Panel mounted
Assembly positions		Indifferent			
Microswitch capacity		1A			
Microswitch maximum tension		250 VAC			
Microswitch IP Rating		IP65 (with connector installed)			
Max. fitting torque IN / OUT / INTAKE connections		G1/8" metal: 15 Nm G1/4" metal: 20 Nm G1/4" technopolymer: 9 Nm	G1/4" metal: 20 Nm G3/8" metal: 25 Nm G3/8" technopolymer: 16 Nm	G3/8" metal: 25 Nm G1/2" metal: 30 Nm G1/2" technopolymer: 22 Nm	G1" metal: 35 Nm

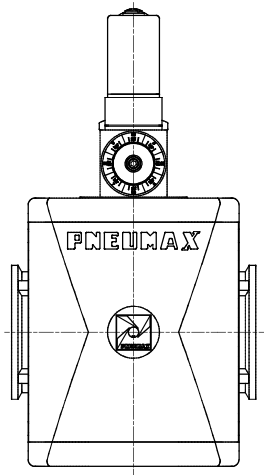
Operational characteristics					
Size		Size 1	Size 2	Size 3	Size 4
Maximum working pressure		13 bar			
Working temperature		-5 °C ... +50 °C			
Operating pressure range		2 - 10 bar			



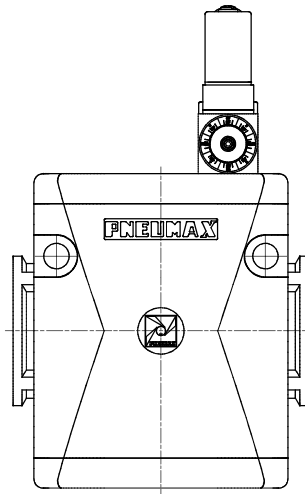
Weights					
	Size	Size 1	Size 2	Size 3	Size 4
Technopolymer body version		138 g	179 g	235 g	/
Aluminium body version		/	330 g	780 g	800 g

Design

Size 1 - Size 2 - Size 3



Size 4



AIR TREATMENT

Order codes

T 17 3B PP

Version
N : Technopolymer body and metal inserts (not available for size 4)
T : Technopolymer body and thread (not available for size 4)
P : Aluminium body (not available only for size 1)

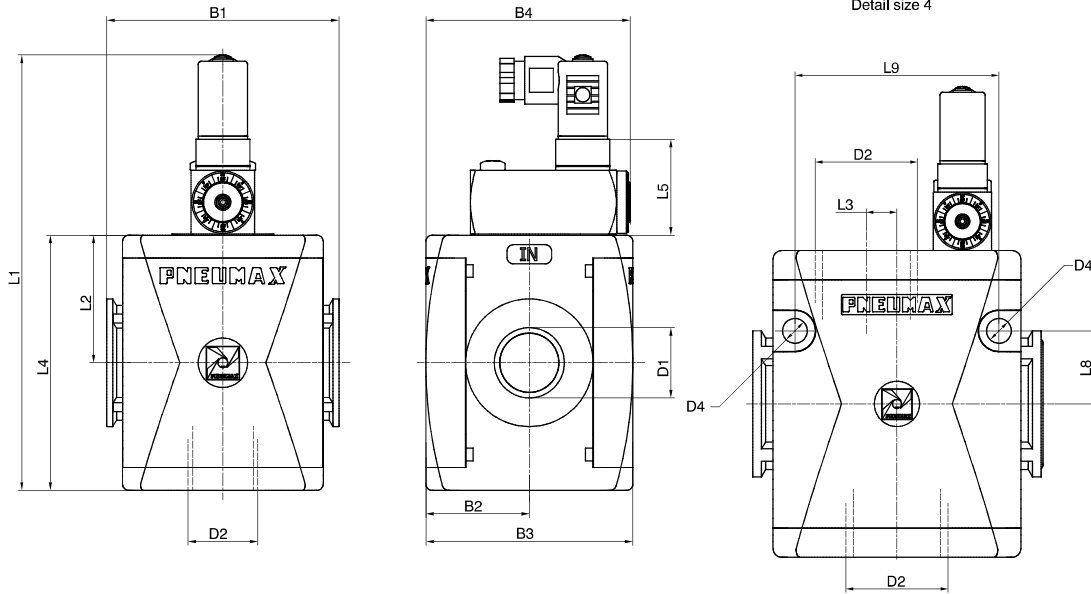
Size and connections
1A : Size 1 - G1/8" only for N version
1B : Size 1 - G1/4" only for T - N versions
1C : Size 1 - 1/4" NPT only for N version
2A : Size 2 - G1/4" only for N version
2B : Size 2 - G3/8" for all versions
2C : Size 2 - 3/8" NPT only for N version
3A : Size 3 - G3/8" only for N version
3B : Size 3 - G1/2" for all versions
3C : Size 3 - 1/2" NPT only for N version
4B : Size 4 - G1" only for P version

Flow direction (only for P versions)
D : Da sinistra verso destra
W : Da destra verso sinistra

Example : T173BPP : Size 3 pressure switch G1/2"

Dimensions

AIR TREATMENT



Model	B1	B2	B3	D1	D2	D4	L1	L2	L3	L4	L5	L8	L9
#171..	48	21	42	G1/8" G1/4" 1/4" NPT	/	/	114,7	27,5	/	55	32,7	/	/
#172..	62	28,5	57	G3/8" G1/4" 3/8" NPT	/	/	125	34	/	68	30	/	/
#173..	73	32,5	65	G3/8" G1/2" 1/2" NPT	/	/	137	40	/	80	30	/	/
#174..	99	44	88	G1"	8,5	/	162	52,5	10,5	105	30	25	70

Electrical connection

- 1 = neutral
- 2 = N.C. contact
- 3 = N.O. contact

