

PT11 Series D.O.T. Push-in Fittings



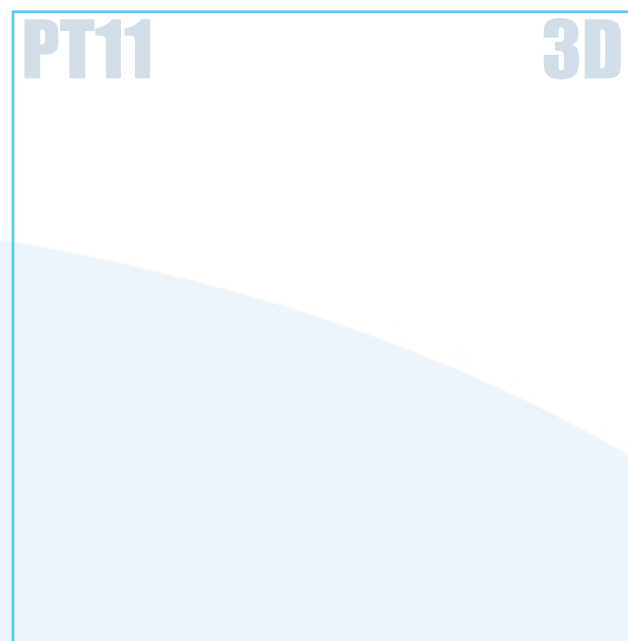
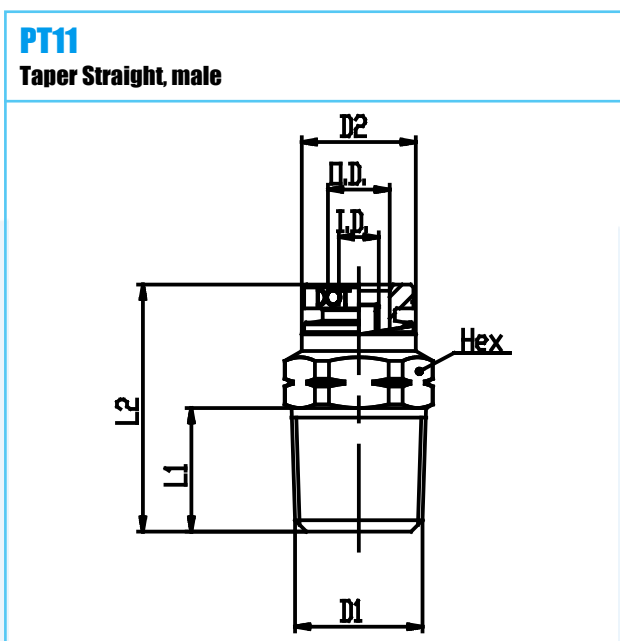
800.909.4988
info@rankinusa.com

RANKIN 
COMPONENTS THAT AUTOMATE

Material:	Brass	
Working Temperature:	-50 ÷ 100	C°
Working Temperature:	-58 ÷ 212	F°
Working Pressure (max):	20	bar
Working Pressure (max):	290	psi
Vacuum:	-99	kPa
Vacuum:	29"	Hg
Conformity:	RoHS	

Conformity:
Conformity:
Conformity:
Conformity:
Application

Pneumatic circuits for truck and Trailers : Air Suspension, Braking Systems, Transmissions, locking doors and windows, Seat adjustment, Instrumentation, Air conditioning systems, horn, wiper motors, valves, cylinders and accessories



CODE	TYPE	TUBEOD	TUBEID	IDIN	D1NPTF	D2	D2IN	L1	L1IN	L2	L2IN	HEX	G	OZ	WTF	WPP	TVH
2T010011	PT11 5/32 1/8	5/32	2.2	.087	1/8	9.5	.374	8.5	.335	21	.827	7/16	-	-	-58 ÷ 212	290	29"
2T010012	PT11 5/32 1/4	5/32	2.2	.087	1/4	9.5	.374	13	.512	25.5	1.004	9/16	-	-	-58 ÷ 212	290	29"
2T010031	PT11 1/4 1/8	1/4	4.2	.165	1/8	12	.472	8.5	.335	23.5	.925	1/2	11.8	.416	-58 ÷ 212	290	29"
2T010032	PT11 1/4 1/4	1/4	4.2	.165	1/4	12	.472	13	.512	26	1.024	9/16	19.8	.698	-58 ÷ 212	290	29"
2T010033	PT11 1/4 3/8	1/4	4.2	.165	3/8	12	.472	13	.512	27	1.063	11/16	33.4	1.178	-58 ÷ 212	290	29"
2T010051	PT11 3/8 1/8	3/8	6.2	.244	1/8	16	.630	8.5	.335	29.5	1.161	11/16	24	.847	-58 ÷ 212	290	29"
2T010052	PT11 3/8 1/4	3/8	6.2	.244	1/4	16	.630	13	.512	33	1.299	11/16	30.5	1.076	-58 ÷ 212	290	29"
2T010053	PT11 3/8 3/8	3/8	6.2	.244	3/8	16	.630	13	.512	26.5	1.043	11/16	28.4	1.002	-58 ÷ 212	290	29"
2T010054	PT11 3/8 1/2	3/8	6.2	.244	1/2	16	.630	17	.669	31.5	1.240	7/8	60.3	2.127	-58 ÷ 212	290	29"
2T010062	PT11 1/2 1/4	1/2	9.2	.362	1/4	20	.787	13	.512	35.7	1.406	13/16	40.4	1.425	-58 ÷ 212	290	29"
2T010063	PT11 1/2 3/8	1/2	9.2	.362	3/8	20	.787	13	.512	30.7	1.209	13/16	34.8	1.228	-58 ÷ 212	290	29"
2T010064	PT11 1/2 1/2	1/2	9.2	.362	1/2	20	.787	17	.669	31.7	1.248	7/8	50.9	1.795	-58 ÷ 212	290	29"
2T010093	PT11 5/8 3/8	5/8	11	.433	3/8	23.5	.925	13	.512	39.5	1.555	1	-	-	-58 ÷ 212	290	29"

2T010094	PT11 5/8 1/2	5/8	11	.433	1/2	23.5	.925	17	.669	38	1.496	1	-	-	-58 ÷ 212	290	29"
2T0100F3	PT11 3/4 3/8	3/4	14.2	.559	3/8	26.5	1.043	13	.512	43.5	1.713	1 1/16	-	-	-58 ÷ 212	290	29"
2T0100F4	PT11 3/4 1/2	3/4	14.2	.559	1/2	26.5	1.043	17	.669	45.5	1.791	1 1/16	-	-	-58 ÷ 212	290	29"
2T0100F5	PT11 3/4 3/4	3/4	14.2	.559	3/4	26.5	1.043	17	.669	39	1.535	1 1/16	-	-	-58 ÷ 212	290	29"