

# PT15 Series D.O.T. Push-in Fittings

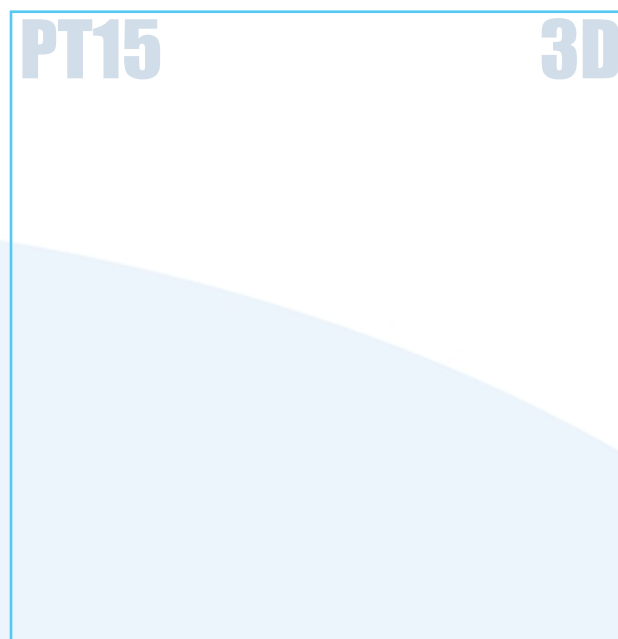
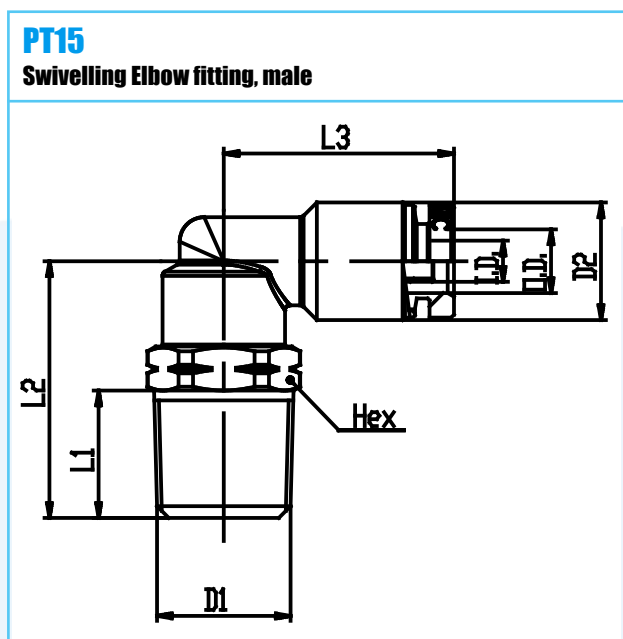


800.909.4988  
info@rankinusa.com

<b>Material:</b>	Brass	
<b>Working Temperature:</b>	-50 ÷ 100	C°
<b>Working Temperature:</b>	-58 ÷ 212	F°
<b>Working Pressure (max):</b>	20	bar
<b>Working Pressure (max):</b>	290	psi
<b>Vacuum:</b>	-99	kPa
<b>Vacuum:</b>	29"	Hg
<b>Conformity:</b>	RoHS	

**Conformity:**  
**Conformity:**  
**Conformity:**  
**Conformity:**  
**Application**

Pneumatic circuits for truck and Trailers : Air Suspension, Braking Systems, Transmissions, locking doors and windows, Seat adjustment, Instrumentation, Air conditioning systems, horn, wiper motors, valves, cylinders and accessories



CODE	TYPE	TUBEOD	TUBEID	IDIN	D1NPTF	D2	D2IN	L1	L1IN	L2	L2IN	L3	L3IN	HEX	G	OZ	WTF	WPP	TVH
2T050011	PT15 5/32 1/8	5/32	2.2	.087	1/8	9	.354	8.5	.335	18.5	.728	19	.748	7/16	-	-	-58 ÷ 212	290	29"
2T050012	PT15 5/32 1/4	5/32	2.2	.087	1/4	9	.354	13	.512	26.2	1.031	21	.827	9/16	-	-	-58 ÷ 212	290	29"
2T050031	PT15 1/4 1/8	1/4	4.2	.165	1/8	12	.472	8.5	.335	21.2	.835	23.5	.925	1/2	21	.741	-58 ÷ 212	290	29"
2T050032	PT15 1/4 1/4	1/4	4.2	.165	1/4	12	.472	13	.512	26.2	1.031	23.5	.925	9/16	25.6	.903	-58 ÷ 212	290	29"
2T050033	PT15 1/4 3/8	1/4	4.2	.165	3/8	12	.472	13	.512	26.7	1.051	23.5	.925	11/16	32.4	1.143	-58 ÷ 212	290	29"

2T050051	PT15 3/8 1/8 3/8	6.2	.244	1/8	16	.630	8.5	.335	24	.945	27	1.063	11/16	41.4	1.460	-58 ÷ 212	290	29"
2T050052	PT15 3/8 1/4 3/8	6.2	.244	1/4	16	.630	13	.512	28.5	1.122	27	1.063	11/16	44.3	1.563	-58 ÷ 212	290	29"
2T050053	PT15 3/8 3/8 3/8	6.2	.244	3/8	16	.630	13	.512	28.5	1.122	27	1.063	11/16	45.7	1.612	-58 ÷ 212	290	29"
2T050054	PT15 3/8 1/2 3/8	6.2	.244	1/2	16	.630	17	.669	34	1.339	27	1.063	7/8	64	2.258	-58 ÷ 212	290	29"
2T050062	PT15 1/2 1/4 1/2	9.2	.362	1/4	20	.787	13	.512	32	1.260	29.7	1.169	13/16	73.5	2.593	-58 ÷ 212	290	29"
2T050063	PT15 1/2 3/8 1/2	9.2	.362	3/8	20	.787	13	.512	32	1.260	29.7	1.169	13/16	68.3	2.409	-58 ÷ 212	290	29"
2T050064	PT15 1/2 1/2 1/2	9.2	.362	1/2	20	.787	17	.669	36.5	1.437	29.7	1.169	7/8	81.6	2.878	-58 ÷ 212	290	29"
2T050093	PT15 5/8 3/8 5/8	11	.433	3/8	24	.945	13	.512	35.5	1.398	36	1.417	7/8	-	-	-58 ÷ 212	290	29"
2T050094	PT15 5/8 1/2 5/8	11	.433	1/2	24	.945	17	.669	39.5	1.555	36	1.417	7/8	-	-	-58 ÷ 212	290	29"
2T050095	PT15 5/8 3/4 5/8	11	.433	3/4	24	.945	17	.669	39.5	1.555	36	1.417	1 1/16	-	-	-58 ÷ 212	290	29"
2T0500F3	PT15 3/4 3/8 3/4	14.2	.559	3/8	27	1.063	13	.512	35.5	1.398	38	1.496	7/8	-	-	-58 ÷ 212	290	29"
2T0500F4	PT15 3/4 1/2 3/4	14.2	.559	1/2	27	1.063	17	.669	39.5	1.555	38	1.496	7/8	-	-	-58 ÷ 212	290	29"
2T0500F5	PT15 3/4 3/4 3/4	14.2	.559	3/4	27	1.063	17	.669	39.5	1.555	38	1.496	1 1/16	-	-	-58 ÷ 212	290	29"