

PT17 Series D.O.T. Push-in Fittings

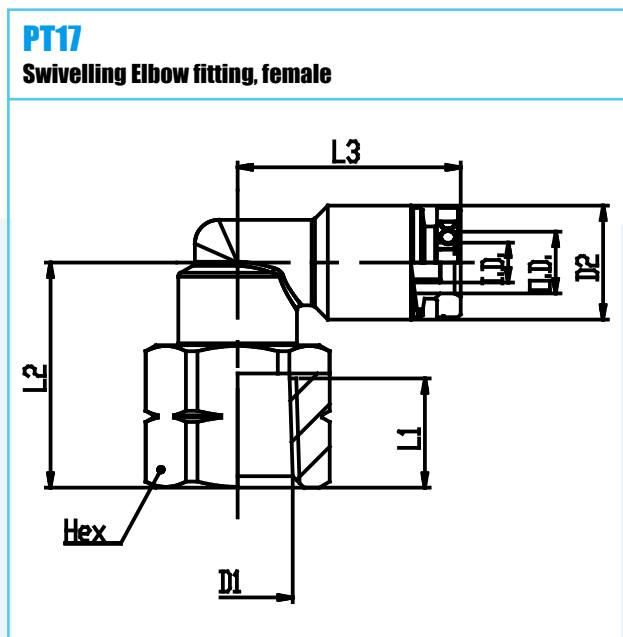


800.909.4988
info@rankinusa.com

Material:	Brass	
Working Temperature:	-50 ÷ 100	C°
Working Temperature:	-58 ÷ 212	F°
Working Pressure (max):	20	bar
Working Pressure (max):	290	psi
Vacuum:	-99	kPa
Vacuum:	29"	Hg
Conformity:	RoHS	

Conformity:
Conformity:
Conformity:
Conformity:
Application

Pneumatic circuits for truck and Trailers : Air Suspension, Braking Systems, Transmissions, locking doors and windows, Seat adjustment, Instrumentation, Air conditioning systems, horn, wiper motors, valves, cylinders and accessories



CODE	TYPE	TUBEOD	TUBEID	IDIN	D1NPTF	D2	D2IN	L1	L1IN	L2	L2IN	L3	L3IN	HEX	G	OZ	WTF	WPP	TVH
2T070011	PT17 5/32 1/8	5/32	2.2	.087	1/8	9	.354	7.5	.295	19.7	.776	19	.748	9/16	-	-	-58 ÷ 212	290	29"
2T070012	PT17 5/32 1/4	5/32	2.2	.087	1/4	9	.354	11.5	.453	23.7	.933	21	.827	11/16	-	-	-58 ÷ 212	290	29"
2T070031	PT17 1/4 1/8	1/4	4.2	.165	1/8	12	.472	7.5	.295	19.7	.776	23.5	.925	9/16	-	-	-58 ÷ 212	290	29"
2T070032	PT17 1/4 1/4	1/4	4.2	.165	1/4	12	.472	11.5	.453	23.7	.933	23.5	.925	11/16	-	-	-58 ÷ 212	290	29"
2T070052	PT17 3/8 1/4	3/8	6.2	.244	1/4	16	.630	11.5	.453	25.5	1.004	27	1.063	11/16	-	-	-58 ÷ 212	290	29"
2T070053	PT17 3/8 3/8	3/8	6.2	.244	3/8	16	.630	11.5	.453	25.5	1.004	27	1.063	13/16	-	-	-58 ÷ 212	290	29"
2T070063	PT17 1/2 3/8	1/2	9.2	.362	3/8	20	.787	11.5	.453	28	1.102	29.7	1.169	13/16	-	-	-58 ÷ 212	290	29"
2T070064	PT17 1/2 1/2	1/2	9.2	.362	1/2	20	.787	13.5	.531	31	1.220	29.7	1.169	1	-	-	-58 ÷ 212	290	29"

