

PT27-F Series D.O.T. Push-in Fittings



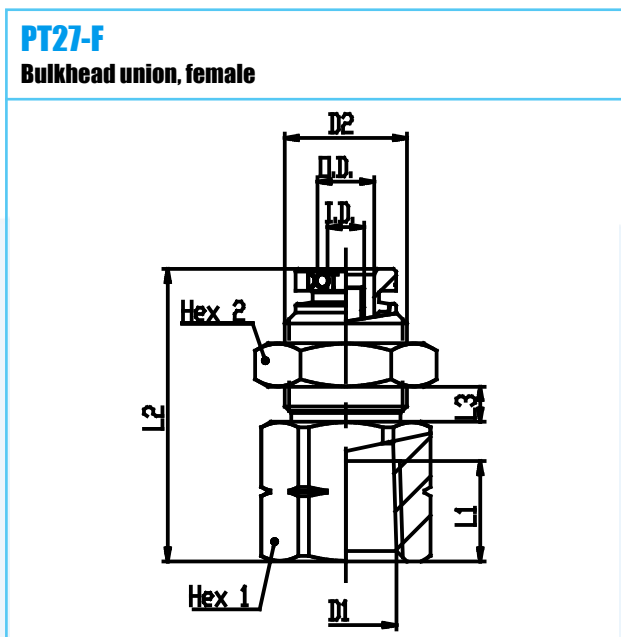
800.909.4988
info@rankinusa.com

RANKIN 
COMPONENTS THAT AUTOMATE

Material:	Brass	
Working Temperature:	-50 ÷ 100	C°
Working Temperature:	-58 ÷ 212	F°
Working Pressure (max):	20	bar
Working Pressure (max):	290	psi
Vacuum:	-99	kPa
Vacuum:	29"	Hg
Conformity:	RoHS	

Conformity:
Conformity:
Conformity:
Conformity:
Application

Pneumatic circuits for truck and Trailers : Air Suspension, Braking Systems, Transmissions, locking doors and windows, Seat adjustment, Instrumentation, Air conditioning systems, horn, wiper motors, valves, cylinders and accessories



CODE	TYPE	TUBEOD	TUBEID	IDIN	D1NPTF	D2	L1	L1IN	L2	L2IN	L3	L3IN	HEX1	HEX2	HEX2IN	G	OZ	WTF	WPP	TVH
2T170012-F	PT27 5/32 1/4 -F	5/32	2.2	.087	1/4	M12x1	11.5	.453	31	1.22	7	.276	11/16	16	.630	-	-	-58 ÷ 212	290	29"
2T170031-F	PT27 1/4 1/8 -F	1/4	4.2	.165	1/8	M14x1	7.5	.295	28.5	1.122	8	.315	11/16	18	.709	-	-	-58 ÷ 212	290	29"
2T170032-F	PT27 1/4 1/4 -F	1/4	4.2	.165	1/4	M14x1	11.5	.453	33.5	1.319	8	.315	11/16	18	.709	-	-	-58 ÷ 212	290	29"

2T170052-F	PT27 3/8 1/4 -F	3/8	6.2	.244	1/4	M18x1	11.5	.453	35	1.378	10	.394	7/8	22	.866	-	-	-58 ÷ 212	290	29"
2T170053-F	PT27 3/8 3/8 -F	3/8	6.2	.244	3/8	M18x1	11.5	.453	36	1.417	10	.394	7/8	22	.866	-	-	-58 ÷ 212	290	29"
2T170054-F	PT27 3/8 1/2 -F	3/8	6.2	.244	1/2	M18x1	13.5	.531	39	1.535	10	.394	1	22	.866	-	-	-58 ÷ 212	290	29"
2T170063-F	PT27 1/2 3/8 -F	1/2	9.2	.362	3/8	M22x1,5	11.5	.453	37.2	1.465	12	.472	1	24	.945	-	-	-58 ÷ 212	290	29"
2T170064-F	PT27 1/2 1/2 -F	1/2	9.2	.362	1/2	M22x1,5	13.5	.531	40.2	1.583	12	.472	1	24	.945	-	-	-58 ÷ 212	290	29"