

# PT27 Series D.O.T. Push-in Fittings



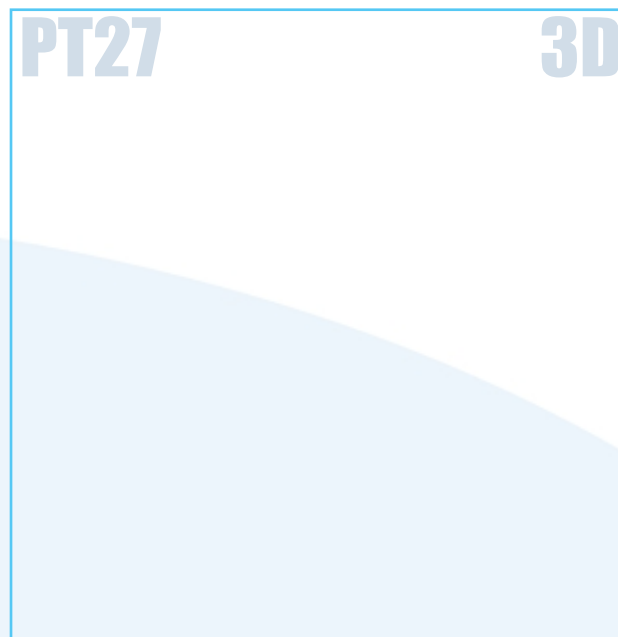
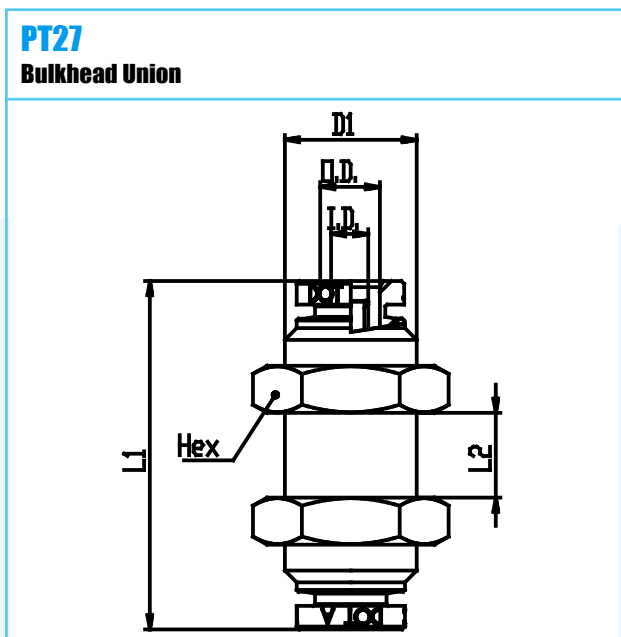
800.909.4988  
info@rankinusa.com

**RANKIN**   
COMPONENTS THAT AUTOMATE

<b>Material:</b>	Brass	
<b>Working Temperature:</b>	-50 ÷ 100	C°
<b>Working Temperature:</b>	-58 ÷ 212	F°
<b>Working Pressure (max):</b>	20	bar
<b>Working Pressure (max):</b>	290	psi
<b>Vacuum:</b>	-99	kPa
<b>Vacuum:</b>	29"	Hg
<b>Conformity:</b>	RoHS	

**Conformity:**  
**Conformity:**  
**Conformity:**  
**Conformity:**  
**Application**

Pneumatic circuits for truck and Trailers : Air Suspension, Braking Systems, Transmissions, locking doors and windows, Seat adjustment, Instrumentation, Air conditioning systems, horn, wiper motors, valves, cylinders and accessories



CODE	TYPE	TUBEOD	TUBEID	IDIN	D1	L1	L1IN	L2	L2IN	HEX	HEXIN	G	OZ	WTF	WPP	TVH
2T171010	PT27 5/32 5/32	5/32	2.2	.087	M12x1	31	1.22	14.5	.571	18	.709	-	-	-58 ÷ 212	290	29"
2T173030	PT27 1/4 1/4	1/4	4.2	.165	M14x1	37	1.457	14.5	.571	18	.709	17.7	.624	-58 ÷ 212	290	29"
2T175050	PT27 3/8 3/8	3/8	6.2	.244	M18x1	41	1.614	17.5	.689	22	.866	60.1	2.120	-58 ÷ 212	290	29"
2T176060	PT27 1/2 1/2	1/2	9.2	.362	M22x1,5	43.4	1.709	18.5	.728	26	1.024	84.2	2.970	-58 ÷ 212	290	29"
2T179090	PT27 5/8 5/8	5/8	11	.433	M26x1,5	52	2.047	22	.866	32	1.260	-	-	-58 ÷ 212	290	29"