

PT28 Series D.O.T. Push-in Fittings

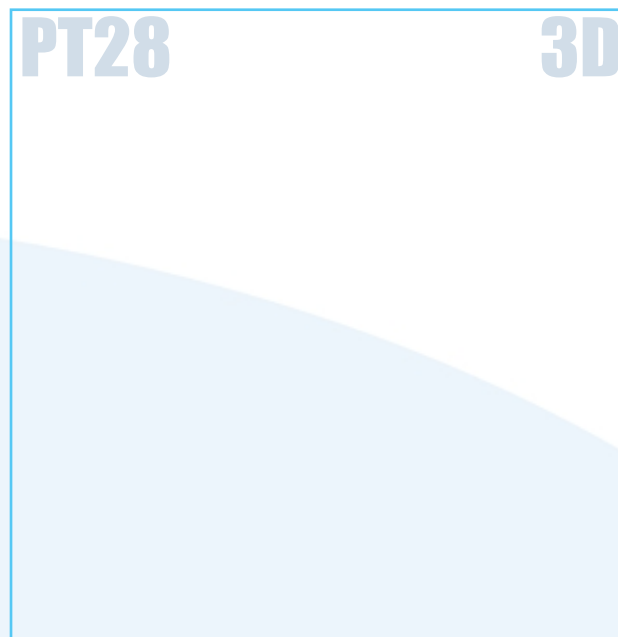
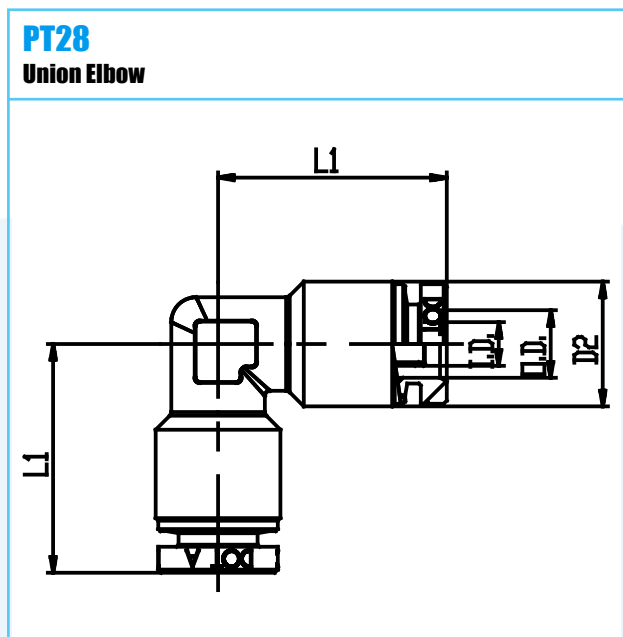


800.909.4988
info@rankinusa.com

Material:	Brass	
Working Temperature:	-50 ÷ 100	C°
Working Temperature:	-58 ÷ 212	F°
Working Pressure (max):	20	bar
Working Pressure (max):	290	psi
Vacuum:	-99	kPa
Vacuum:	29"	Hg
Conformity:	RoHS	

Conformity:
Conformity:
Conformity:
Conformity:
Application

Pneumatic circuits for truck and Trailers : Air Suspension, Braking Systems, Transmissions, locking doors and windows, Seat adjustment, Instrumentation, Air conditioning systems, horn, wiper motors, valves, cylinders and accessories



CODE	TYPE	TUBEOD	TUBEID	IDIN	D2	D2IN	L1	L1IN	G	OZ	WTF	WPP	TVH
2T181010	PT28 5/32 5/32	5/32	2.2	.087	9	.354	19	.748	-	-	-58 ÷ 212	290	29"
2T183030	PT28 1/4 1/4	1/4	4.2	.165	12	.472	22	.866	18.1	.638	-58 ÷ 212	290	29"
2T185050	PT28 3/8 3/8	3/8	6.2	.244	16	.630	26	1.024	38.2	1.347	-58 ÷ 212	290	29"
2T186060	PT28 1/2 1/2	1/2	9.2	.362	20	.787	28.2	1.110	61.3	2.162	-58 ÷ 212	290	29"
2T189090	PT28 5/8 5/8	5/8	11	.433	24	.945	35.5	1.398	-	-	-58 ÷ 212	290	29"