

**Regulators (R - RM - RW - RP - RZ)**
**AIR TREATMENT**


- ▶ Diaphragm pressure regulator with relieving
- ▶ Available in 4 sizes with flow rates up to 8000 NI/min and connections from 1/8" to 1"
- ▶ Low hysteresis rolling diaphragm and balanced spool
- ▶ Available in four pressure ranges up to 12 bar
- ▶ Fitted with panel mounting locking ring
- ▶ Available with pressure gauge or digital pressure switch integrated
- ▶ Atex certification (II 2GD or II 3GD)
- ▶ Inlet pressures up to 20 bar


**Note**

For installations where a more accurate and constant pressure is required, the unit should be installed as close as possible to the point of use.

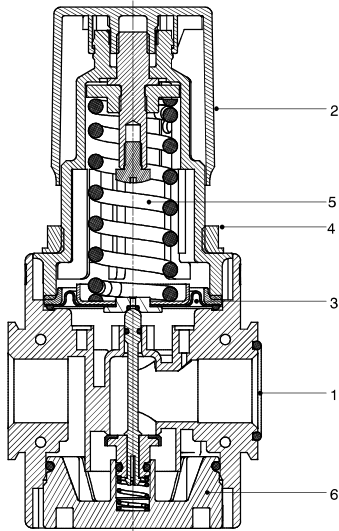
Technical characteristics					
Size		Size 1	Size 2	Size 3	Size 4
<b>Body and connections type</b>		Technopolymer body, integrated technopolymer connections (T version) Technopolymer body, metal connections (N version)			/
		/	Aluminium body, integrated aluminium connections (P - L versions)		
<b>IN / OUT connections</b>	<b>T version</b>	G1/4"	G3/8"	G1/2"	not available
	<b>N version</b>	G1/8" - G1/4" - 1/4" NPT	G3/8" - G1/4" - 3/8" NPT	G3/8" - G1/2" - 1/2" NPT	
	<b>P and L version</b>	not available	G3/8" - 1/4" NPT	G1/2" - 1/2" NPT	G1" - 1" NPT
<b>Assembly configuration</b>		Stand alone Panel mounting With fixing bracket			
		/			Panel mounted
<b>Assembly positions</b>		Indifferent			
<b>Pressure range</b>		0-2 bar 0-4 bar 0-8 bar 0-12 bar (P2 max 10 Bar in case of digital pressure switch selection)			
<b>Regulation</b>		Manul push and lock with pressure Manual lockable with accessories			
<b>Pressure measurement</b>		G1/8" - 1/8" NPT pressure gauge connection port (only for versions with IN / OUT NPT connections) Integrated pressure gauge (optional) Digital pressure switch (optional)			
<b>Max. fittings torque IN / OUT connections</b>		G1/8" metal: 15 Nm G1/4" metal: 20 Nm G1/4" technopolymer: 9 Nm	G1/4" metal: 20 Nm G3/8" metal: 25 Nm G3/8" technopolymer: 16 Nm	G3/8" metal: 25 Nm G1/2" metal: 30 Nm G1/2" technopolymer: 22 Nm	G1" metal: 35 Nm
<b>Max. fitting torque pressure gauge connection port</b>		G1/8" technopolymer: 4 Nm G1/8" metal: 15 Nm			

Operational characteristics					
Size		Size 1	Size 2	Size 3	Size 4
<b>Maximum working pressure</b>	13 bar				
	/	20 bar (only for P - L versions)			
<b>Minimum working pressure</b>		0,5 bar			
<b>Working temperature</b>	-5 °C ... +50 °C				
	/	-30 °C ... +80 °C (only for P version) -40 °C ... +80 °C (only for L version)			
<b>Working temperature with digital pressure switch</b>		0 °C ... +50 °C			

Weights					
	Size	Size 1	Size 2	Size 3	Size 4
Technopolymer body version		150 g	310 g	390 g	/
Aluminium body version		/	400 g	560 g	1260 g

**Materials**

Exploded sectioned

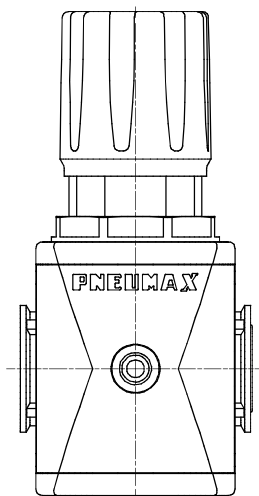


Regulator		
1	Body	Polyamide Die-cast aluminium
2	Adjusting knob	Polyamide
3	Diaphragm	NBR
4	Panel mounting locking ring	Polyamide
5	Adjusting spring	Steel
6	Rear end cap	Polyamide / Die-cast aluminium

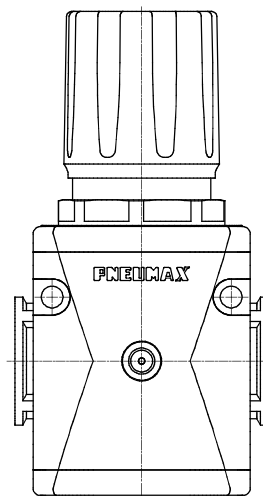
AIR TREATMENT

**Design**

Size 1 - Size 2 - Size 3



Size 4  
All versions





**Order codes**

AIR TREATMENT

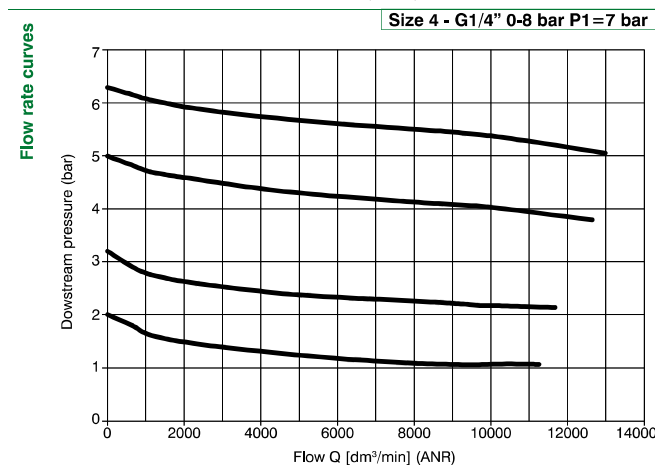
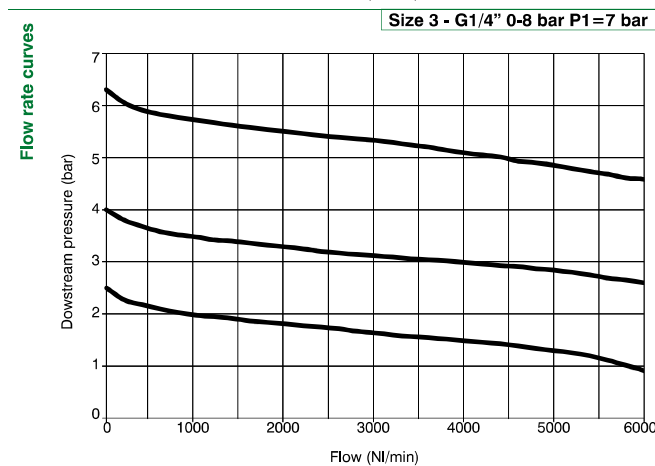
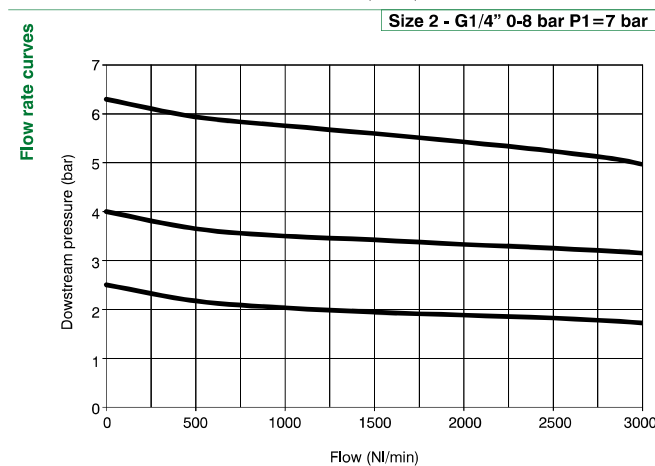
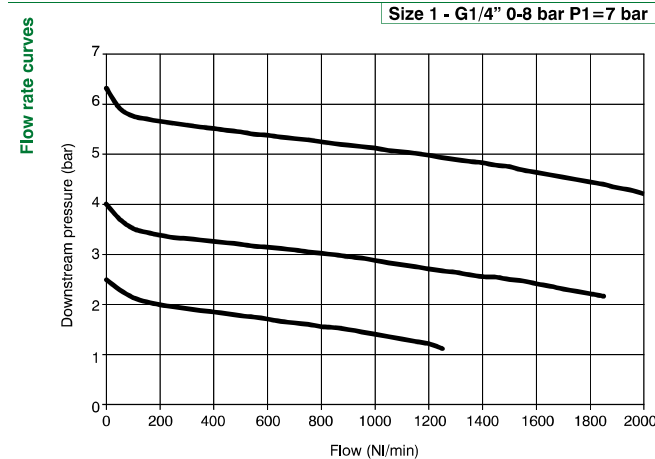
T 17 3B R M D

<b>Version</b>	
N	: Technopolymer body and metal inserts (not available for size 4)
T	: Technopolymer body and thread (not available for size 4)
P	: Aluminum body (not available for size 1)
L	: Aluminum body, low temperature (not available for size 1)
<b>Size and connections</b>	
1A	: Size 1 - G1/8" only for N version
1B	: Size 1 - G1/4" only for T - N versions
1C	: Size 1 - 1/4" NPT only for N version
2A	: Size 2 - G1/4" only for N version
2B	: Size 2 - G3/8" for all versions
2C	: Size 2 - 3/8" NPT only for N version - 1/4" NPT only for P - L versions
3A	: Size 3 - G3/8" only for N version
3B	: Size 3 - G1/2" for all versions
3C	: Size 3 - 1/2" NPT only for N - P - L versions
4B	: Size 4 - G1" only for P - L versions
4C	: Size 4 - 1" NPT only for P - L versions
<b>Pressure measurement options</b>	
	: G1/8" - 1/8" NPT thread
M	: Integrated pressure gauge
W	: Integrated pressure gauge Right - Left
P	: Digital pressure switch
Z	: Digital pressure switch Right - Left
<b>Pressure range</b>	
A	: 0 - 2 bar
B	: 0 - 4 bar
C	: 0 - 8 bar
D	: 0 - 12 bar
<b>Relieving options</b>	
	: With relieving
F	: Controlled refuel and improved relieving (not available for size 4)
L	: Without relieving
R	: Improved relieving
<b>Knob options</b>	
	: Non-lockable version
K	: Lockable version
U	: Lockable version with universal key
<b>Digital pressure switch options</b>	
A	: Cable 150 mm + M8 PNP
B	: Cable 150 mm + M8 NPN
C	: Cable 2 m PNP
D	: Cable 2 m NPN

**Example : T173BRMD** : Size 3 regulator G1/2" 0 - 12 bar



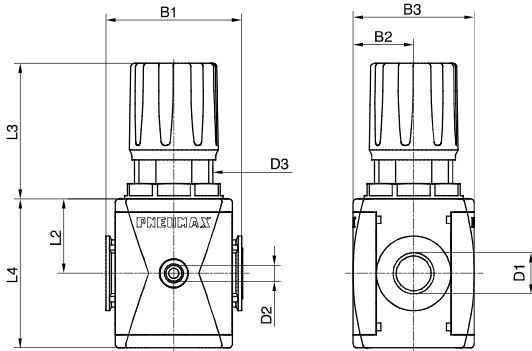
Characteristic curves



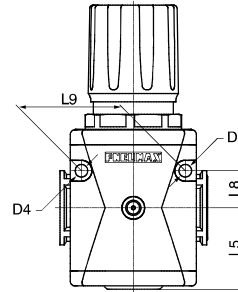
**Dimensions**

AIR TREATMENT

Pressure gauge connection port version



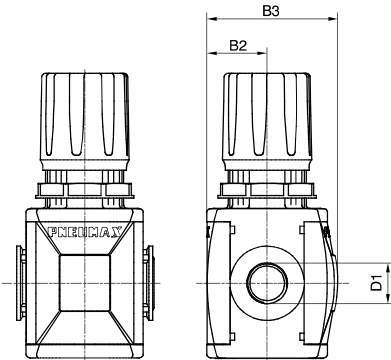
Fixing holes dimension detail (only for size 4)



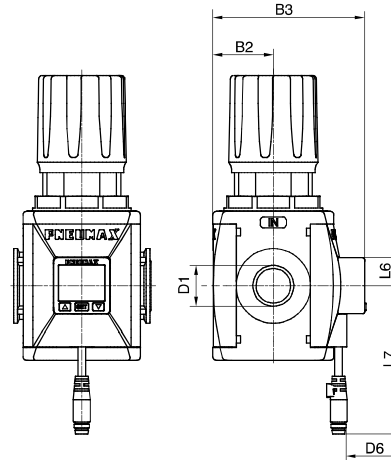
Model	B1	B2	B3	D1	D2	D3	D4	L2	L3	L4	L5	L8	L9
#171..	48	21	42	G1/8" G1/4" 1/4" NPT	G1/8" 1/8" NPT	M30x1,5	/	27,5	54	55	/	/	/
#172..	62	28,5	57	G1/4" G3/8" 1/4" NPT 3/8" NPT	G1/8" 1/8" NPT	M42x1,5	/	34	71,8	68	/	/	/
#173..	73	32,5	65	G3/8" G1/2" 1/2" NPT	G1/8" 1/8" NPT	M42x1,5	/	40	72,8	80	/	/	/
#174..	99	44	88	G1" 1" NPT	G1/8" 1/8" NPT	M54x1,5	8,5	52,5	87,5	105	54,5	25	70

**Variable dimensions**

Integrated pressure gauge version



Integrated digital pressure switch version



Model	B2	B3		D1	D6 - Type of digital pressure switch		L6	L7 - Type of digital pressure switch	
		With pressure gauge	With digital pressure switch		A - B	C - D		A - B	C - D
#171..	21	48,5	60	G1/8" G1/4" 1/4" NPT	M8 - 3 PIN	3 x 0,129 mm, Ø 4 mm	15	150	2000
#172..	28,5	62,5	73,5	G1/4" G3/8" 1/4" NPT 3/8" NPT					
#173..	32,5	70,5	81,5	G3/8" G1/2" 1/2" NPT					
#174..	44	90,5	101,5	G1" 1" NPT					