



CIRCULAR RIM VACUUM CUPS WITH SUPPORTS

These cups have been designed to meet the need of lifting objects with a central hole.

Their very thin lip allows them to grip very rough surfaces, such as grinding wheels and discs.

They are particularly recommended for handling CDs, perforated discs, toothed wheels, pulleys and other similar objects.

Their supports are made with anodised aluminium and are provided with a threaded hole in the centre to allow suction, as well as its fastening to the automation.

The cups are cold fitted onto them without any adhesives.

To guarantee maximum flexibility, the cups for gripping grinding discs are made with natural para rubber N, while those for handling CDs are made with silicone S. Cups in special compounds, listed on pg. 31, can be provided upon request in minimum quantities to be defined in the order.

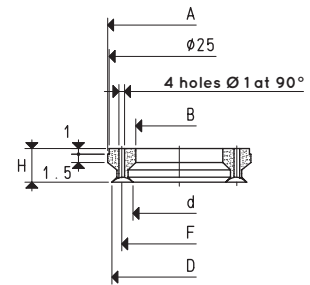
To replace, simply request the single vacuum cup indicated in the table in the desired compound.



VACUUM CUP

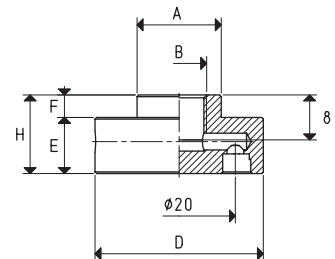
Item	Force Kg	Volume cm ³	A Ø	B Ø	D Ø	d Ø	F Ø	H
01 24 06 S	0.6	1.3	25.5	15.5	24	16.5	20	6

Compound: S= silicone



SUPPORT

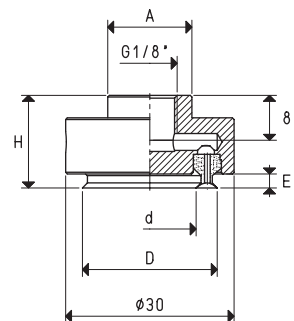
Item	A Ø	B Ø	D Ø	E	F	H	Support material	For vacuum cup item	Weight g
00 08 232	15	G1/8"	30	10	4	14	aluminium	01 24 06	16.7



VACUUM CUP WITH SUPPORT

Item	Force Kg	A Ø	D Ø	d Ø	E	H	Vacuum cup item	Support item	Weight g
08 24 06 S	0.6	15	24	16.5	2.5	16.5	01 24 06 S	00 08 232	18.1

Compound: S= silicone



Note: The force of the vacuum cups indicated in the table represents 1/3 of the value of the theoretical force calculated at a level of vacuum of -75 KPa and a factor of safety 3.

Transformation ratio: N (newton) = Kg x 9.81 (force of gravity)

inch = $\frac{\text{mm}}{25.4}$; pounds = $\frac{\text{g}}{453.6} = \frac{\text{Kg}}{0.4536}$

Adapters for GAS - NPT threading available on page 1.130

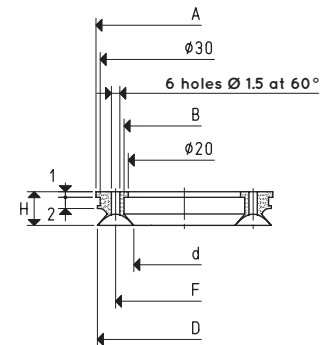
CIRCULAR RIM VACUUM CUP WITH SUPPORT



VACUUM CUP

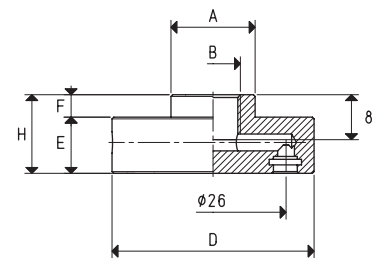
Item	Force Kg	Volume cm ³	A Ø	B Ø	D Ø	d Ø	F Ø	H
01 31 06 S	1.25	2.0	31.5	21.5	31	18	24.5	6

Compound: S= silicone



SUPPORT

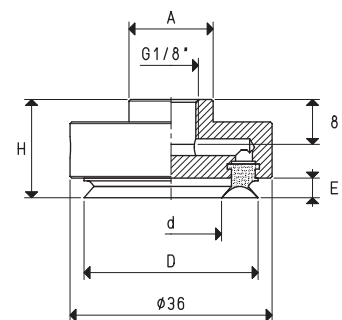
Item	A Ø	B Ø	D Ø	E	F	H	Support material	For vacuum cup item	Weight g
00 08 231	15	G1/8"	36	10	4	14	aluminium	01 31 06	24.9



VACUUM CUP WITH SUPPORT

Item	Force Kg	A Ø	D Ø	d Ø	E	H	Vacuum cup item	Support item	Weight g
08 31 06 S	1.25	15	31	18	3.6	17.6	01 31 06 S	00 08 231	26.6

Compound: S= silicone



Note: The force of the vacuum cups indicated in the table represents 1/3 of the value of the theoretical force calculated at a level of vacuum of -75 KPa and a factor of safety 3.

Transformation ratio: N (newton) = Kg x 9.81 (force of gravity)

inch = $\frac{\text{mm}}{25.4}$; pounds = $\frac{\text{g}}{453.6} = \frac{\text{Kg}}{0.4536}$

Adapters for GAS - NPT threading available on page 1.130



CIRCULAR RIM VACUUM CUPS WITH SUPPORTS



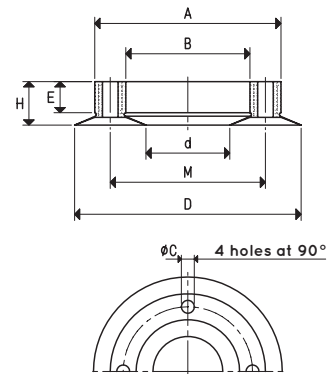
3D drawings are available on vuototecnica.net

1

VACUUM CUPS

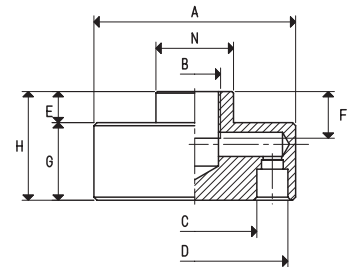
Item	Force Kg	Volume cm ³	A Ø	B Ø	C Ø	D Ø	d Ø	E	H	M Ø
01 46 13 N	3.87	4.7	35	23	3	46	12	8.5	12.5	29
01 73 14 N	9.02	16.6	60	40	5	73	27	10.0	14.0	50
01 95 14 N	16.28	27.0	71	51	6	95	27	10.0	14.5	61

Compound: N = natural para rubber



SUPPORTS

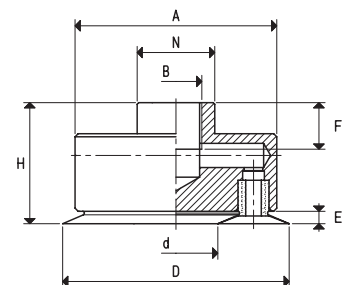
Item	A Ø	B Ø	C Ø	D Ø	E Ø	F	G	H	N Ø	Support material	For vacuum cup item	Weight g
00 08 68	40	M12	23	35	7	10	18	25	20	aluminium	01 46 13	47.2
00 08 72	65	G3/8"	40	60	10	15	25	35	25	aluminium	01 73 14	169.1
00 08 73	76	G3/8"	51	71	10	15	27	37	25	aluminium	01 95 14	266.0



VACUUM CUPS WITH SUPPORT

Item	Force Kg	A Ø	B Ø	D Ø	d Ø	E	F	H	N Ø	Vacuum cup item	Support item	Weight g
08 46 13 N	3.87	40	M12	46	12	4.5	10	29.5	20	01 46 13 N	00 08 68	53.1
08 73 14 N	9.02	65	G3/8"	73	27	4.0	15	39.0	25	01 73 14 N	00 08 72	189.4
08 95 14 N	16.28	76	G3/8"	95	27	5.5	15	42.5	25	01 95 14 N	00 08 73	292.9

Compound: N = natural para rubber



Note: The force of the vacuum cups indicated in the table represents 1/3 of the value of the theoretical force calculated at a level of vacuum of -75 KPa and a factor of safety 3.

Transformation ratio: N (newton) = Kg x 9.81 (force of gravity)

inch = $\frac{\text{mm}}{25.4}$; pounds = $\frac{\text{g}}{453.6} = \frac{\text{Kg}}{0.4536}$

Adapters for GAS - NPT threading available on page 1.130