



# ELLIPTICAL FLAT VACUUM CUPS WITH SUPPORTS

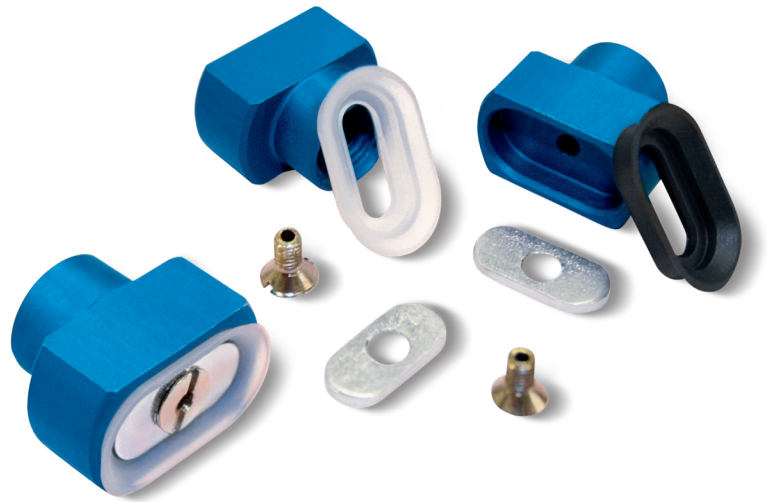
3D drawings are available on [vuototecnica.net](http://vuototecnica.net)

These oval cups are recessed on moulders in order to hold a side of the cardboard box during the moulding process by means of traditional cups on the opposite side.

Once assembled with their support, however, they can be used for handling boxes, plastic objects or anything with a limited gripping surface.

Their anodised aluminium support has a central threaded hole to fasten it to the automation. They are also provided with a nickel-plated brass plate to hold the cup in its housing and with one or two stainless steel screws for fixing them.

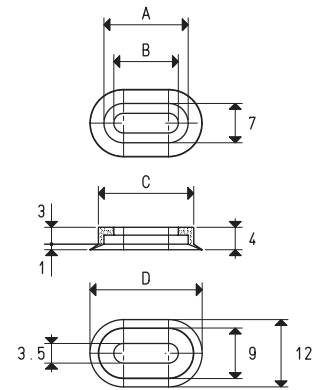
To replace, simply request the single vacuum cup indicated in the table in the desired compound.



## VACUUM CUP

Item	Force Kg	Volume cm <sup>3</sup>	A	B	C	D
01 12 20 *	0.52	0.3	15	11.5	17	20

\* Complete the code indicating the compound: A= oil-resistant rubber; N= natural para rubber; S= silicone

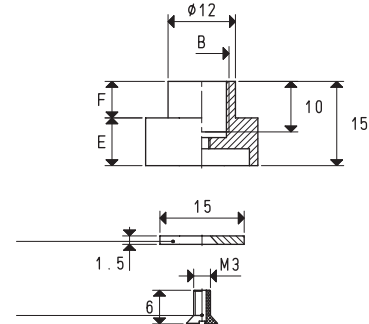


## SUPPORT

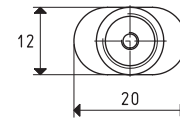
Item	B Ø	E	F	Support material	For vacuum cup item	Weight g
00 08 70	G1/8"	8.5	6.5	aluminium	01 12 20	5.4

fixing plate item 00 08 97

perforated TSP M3x5 screw item 00 08 103



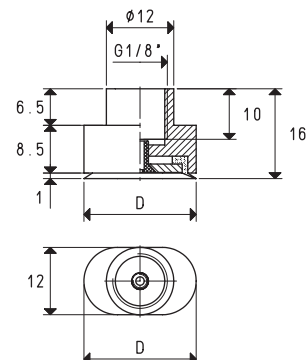
**Note:** Supplied automatically also with the fixing plate and the perforated TSP screw when ordering item 00 08 70



## VACUUM CUP WITH SUPPORT

Item	Force Kg	D	Vacuum cup item	Support item	Weight g
08 12 20 *	0.52	20	01 12 20	00 08 70	5.8

\* Complete the code indicating the compound: A= oil-resistant rubber; N= natural para rubber; S= silicone



Note: The force of the vacuum cups indicated in the table represents 1/3 of the value of the theoretical force calculated at a level of vacuum of -75 KPa and a factor of safety 3.

Transformation ratio: N (newton) = Kg x 9.81 (force of gravity)

inch =  $\frac{\text{mm}}{25.4}$ ; pounds =  $\frac{\text{g}}{453.6} = \frac{\text{Kg}}{0.4536}$

Adapters for GAS - NPT threading available on page 1.130

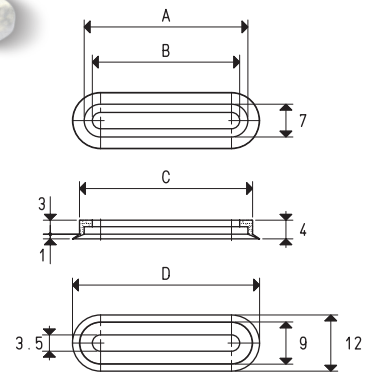
# ELLIPTICAL FLAT VACUUM CUPS WITH SUPPORTS



## VACUUM CUPS

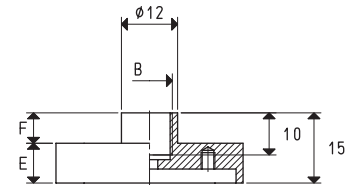
Item	Force Kg	Volume cm <sup>3</sup>	A	B	C	D
01 12 30 *	0.82	0.5	25	21.5	27	30
01 12 40 *	1.12	0.7	35	31.5	37	40
01 12 50 *	1.57	1.0	50	46.5	52	55

\* Complete the code indicating the compound: A= oil-resistant rubber; N= natural para rubber; S= silicone



## SUPPORTS

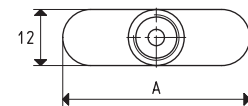
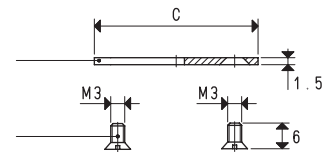
Item	A	B Ø	C	E	F	Support material	For vacuum cup item	Weight g
00 08 71	30	G1/8"	25	8.5	6.5	aluminium	01 12 30	7.8
00 08 75	40	G1/8"	35	8.5	6.5	aluminium	01 12 40	11.4
00 08 76	55	G1/8"	50	8.5	6.5	aluminium	01 12 50	15.5



fixing plate item **00 08 98** for supp. **00 08 71**  
 item **00 08 99** for supp. **00 08 75**  
 item **00 08 100** for supp. **00 08 76**

2 TSP screws M3x5 item **00 08 102**

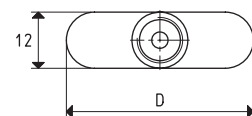
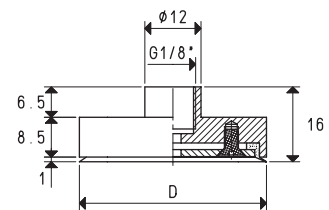
**Note:** Supplied automatically also with the fixing plate and the perforated TSP screw when ordering the item relative to the support



## VACUUM CUPS WITH SUPPORT

Item	Force Kg	D	Vacuum cup item	Support item	Weight g
08 12 30 *	0.82	30	01 12 30	00 08 71	8.3
08 12 40 *	1.12	40	01 12 40	00 08 75	12.0
08 12 50 *	1.57	55	01 12 50	00 08 76	16.2

\* Complete the code indicating the compound: A= oil-resistant rubber; N= natural para rubber; S= silicone



Note: The force of the vacuum cups indicated in the table represents 1/3 of the value of the theoretical force calculated at a level of vacuum of -75 KPa and a factor of safety 3.

Transformation ratio: N (newton) = Kg x 9.81 (force of gravity)

inch =  $\frac{\text{mm}}{25.4}$ ; pounds =  $\frac{\text{g}}{453.6} = \frac{\text{Kg}}{0.4536}$

Adapters for GAS - NPT threading available on page 1.130