



RECTANGULAR VACUUM CUPS WITH BALL VALVE, SELF-LOCKING SUPPORT AND RELEASE BUTTON

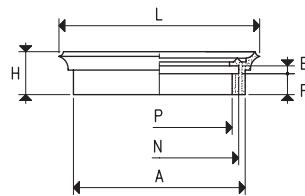
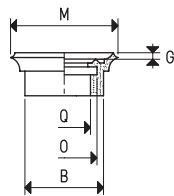
These cups represent a true mobile clamping system.

They are composed of:

- A sturdy anodised aluminium support with a wide surface at the base limited by a seal whose purpose is to fix it to the bearing surface.
- A standard rectangular flat cup which is cold fitted onto the upper part of the support for gripping the load.
- A ball valve that opens up creating vacuum, only when activated by the load to be gripped.
- A release button that allows placing the support even with the vacuum inserted.
- Two quick couplings for vacuum connection.

The detection of vacuum for gripping and releasing the support from the bearing surface and gripping and releasing the load can be made via three-way vacuum valves or solenoid valves.

All cups with self-locking support of this and other ranges with the gripping plane at the same height can be used simultaneously, even if they are of different types or have different sizes.

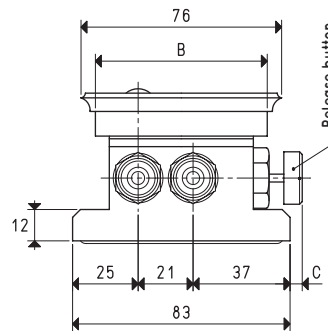
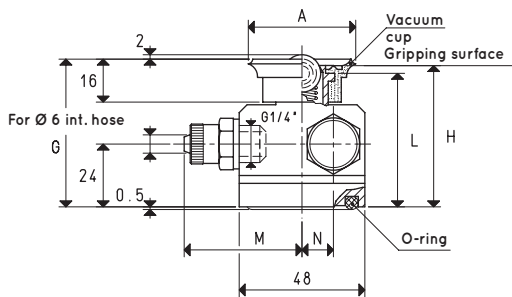


SPARE VACUUM CUPS

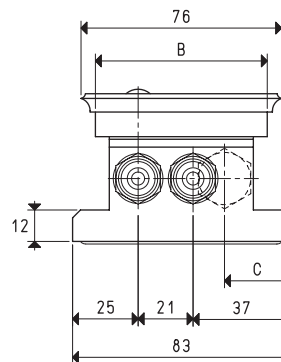
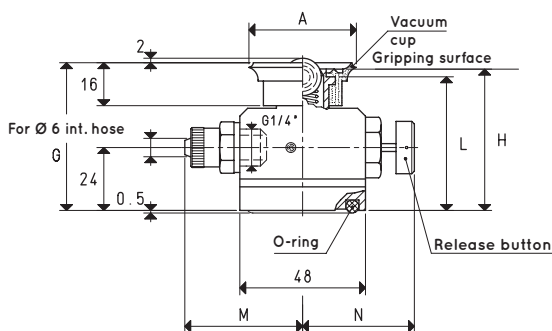
Item	Force Kg	Volume cm ³	A	B	E	F	G	H	L	M	N	O	P	Q	Weight g
01 40 75 *	6.7	9.2	64	29	3	7.5	6.5	16.0	75	40	59	24	54	19	15.6

* Complete the code indicating the compound: A= oil-resistant rubber; N= natural para rubber; S= silicone

Item 21 40 75 PL



Item 21 40 75 PP



VACUUM CUPS WITH BALL VALVE, SELF-LOCKING SUPPORT AND RELEASE BUTTON

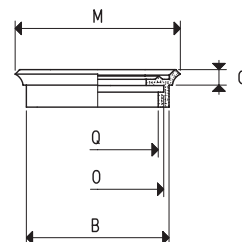
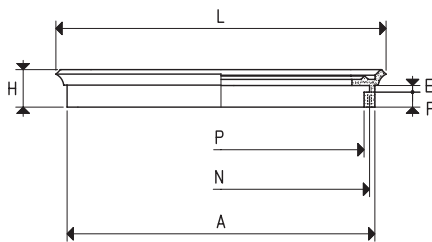
Item	Force Kg	A	B	C	G	H	L	M	N	Vacuum cup item	O-ring item	Weight Kg
21 40 75 PL *	6.7	41	55	7	56.5	54.5	51	45.5	12	01 40 75	00 05 16	0.460
21 40 75/84 PL *	6.7	41	55	7	86.5	84.0	81	45.5	12	01 40 75	00 05 16	0.702
21 40 75 PP *	6.7	41	55	25	56.5	54.5	51	45.5	45	01 40 75	00 05 16	0.460
21 40 75/ 84 PP *	6.7	41	55	25	86.5	84.0	81	45.5	45	01 40 75	00 05 16	0.702

* Complete the code indicating the compound: A= oil-resistant rubber; N= natural para rubber; S= silicone

Note: The force of the vacuum cups indicated in the table represents 1/3 of the value of the theoretical force calculated at a level of vacuum of -75 KPa and a factor of safety 3.

Transformation ratio: N (newton) = Kg x 9.81 (force of gravity) inch = $\frac{\text{mm}}{25.4}$; pounds = $\frac{\text{g}}{453.6} = \frac{\text{Kg}}{0.4536}$

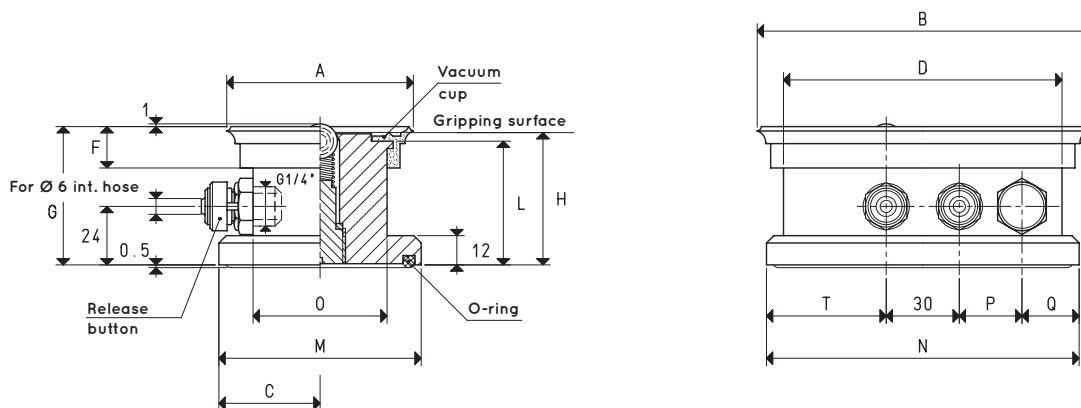
RECTANGULAR VACUUM CUPS WITH BALL VALVE, SELF-LOCKING SUPPORT AND RELEASE BUTTON



SPARE VACUUM CUPS

Item	Force Kg	Volume cm ³	A	B	E	F	G	H	L	M	N	O	P	Q	Weight g
01 120 90 *	24.0	42.9	107	78	3	7.5	7.5	17.5	117	87	102	73	97	68	38.8
01 150 75 *	25.0	43.5	137	62	3	7.5	7.5	16.5	147	72	132	57	127	52	41.2

* Complete the code indicating the compound: A= oil-resistant rubber; N= natural para rubber; S= silicone



VACUUM CUPS WITH BALL VALVE, SELF-LOCKING SUPPORT AND RELEASE BUTTON

Item	Force Kg	A	B	C	D	F	G	H	L	M	N	O	P	Q	T	Vacuum cup item	O-ring item	Weight Kg
21 120 90 *	24	90	120	56	102	17.5	57.0	54.5	50	98	128	70	24	25	49	01 120 90	00 16 10	1.320
21 150 75 *	25	75	120	48	130	16.5	57.0	54.5	50	83	144	55	25	32	57	01 150 75	00 16 10	1.236
21 150 75/84 *	25	75	150	48	130	16.5	86.5	84.0	80	83	144	55	25	32	57	01 150 75	00 16 10	1.924

* Complete the code indicating the compound: A= oil-resistant rubber; N= natural para rubber; S= silicone

Note: The force of the vacuum cups indicated in the table represents 1/3 of the value of the theoretical force calculated at a level of vacuum of -75 KPa and a factor of safety 3.

Transformation ratio: N (newton) = Kg x 9.81 (force of gravity) inch = $\frac{\text{mm}}{25.4}$; pounds = $\frac{\text{g}}{453.6} = \frac{\text{Kg}}{0.4536}$