

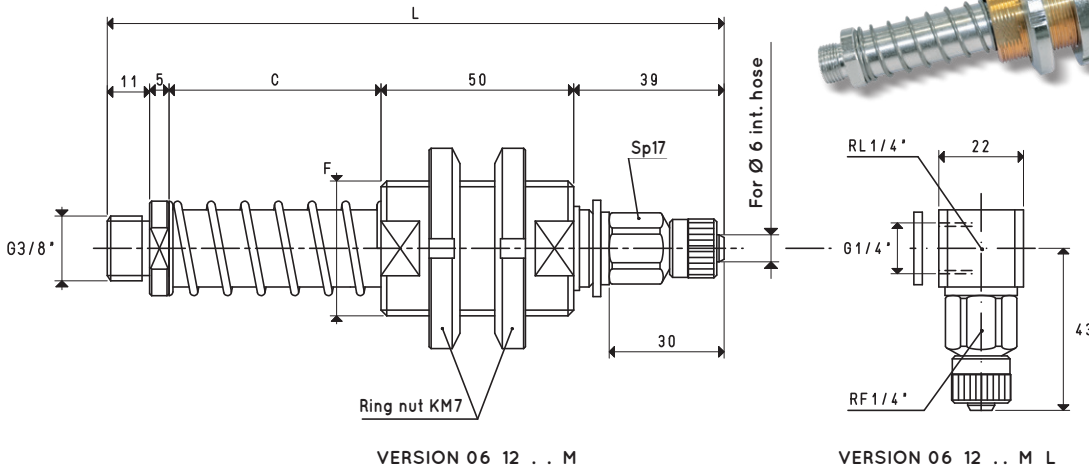
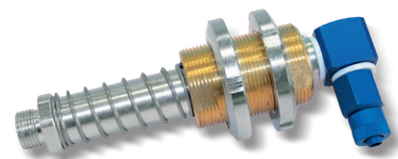
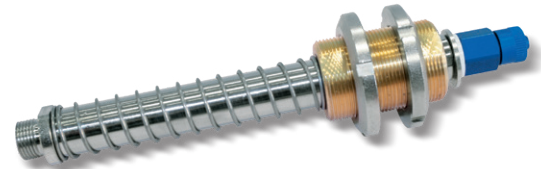
SPECIAL VACUUM CUP HOLDERS WITH MALE AND FEMALE THREADED CONNECTORS



The actual springing stroke is:

- For height C= 55 mm 37 mm
- For height C= 110 mm 84 mm

Special vacuum cup holders with male threaded connectors



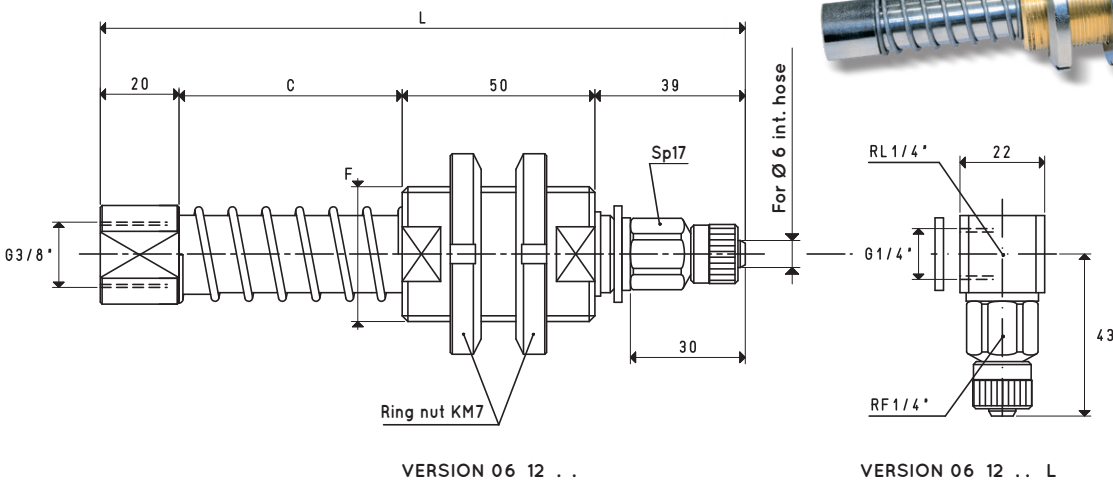
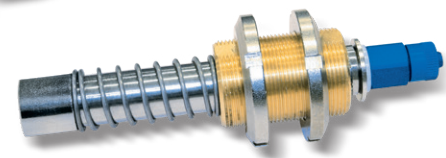
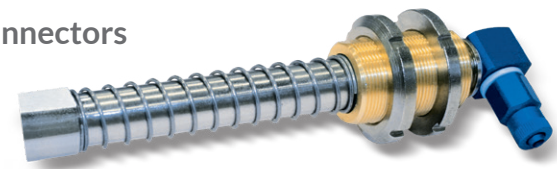
3D drawings are available on vuotecnica.net

VACUUM CUP HOLDERS WITH STRAIGHT QUICK COUPLER FOR PLASTIC HOSE Ø 6 X 8

Item	* C	F Ø	L	Weight Kg
06 12 55 M	55	M35 x 1.5	160	0.63
06 12 110 M	110	M35 x 1.5	215	0.77

Note: To order vacuum cup holders with L fittings, add the letter L to the code.

Special vacuum cup holders with female threaded connectors



VACUUM CUP HOLDERS WITH STRAIGHT QUICK COUPLER FOR PLASTIC HOSE Ø 6 X 8

Item	* C	F Ø	L	Weight Kg
06 12 55	55	M35 x 1.5	164	0.62
06 12 110	110	M35 x 1.5	219	0.75

Note: To order vacuum cup holders with L fittings, add the letter L to the code.

Transformation ratio: N (newton) = Kg x 9.81 (force of gravity) inch = $\frac{\text{mm}}{25.4}$; pounds = $\frac{\text{g}}{453.6} = \frac{\text{Kg}}{0.4536}$



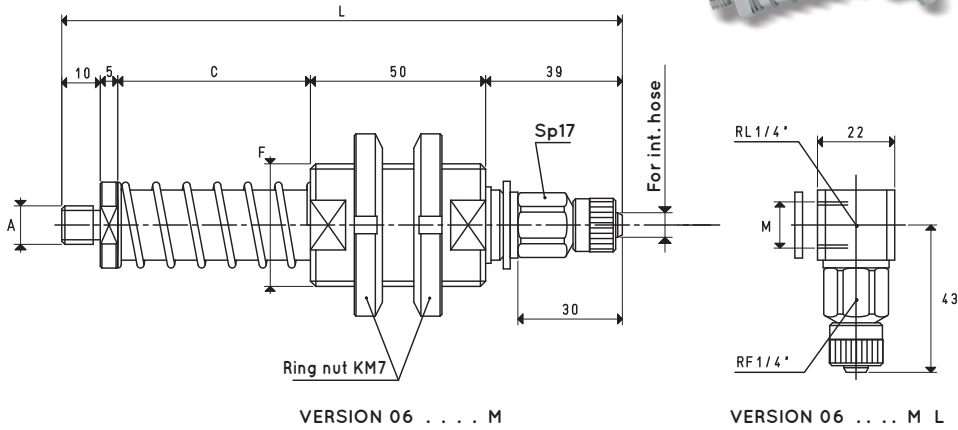
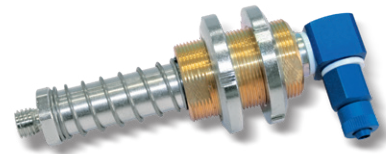
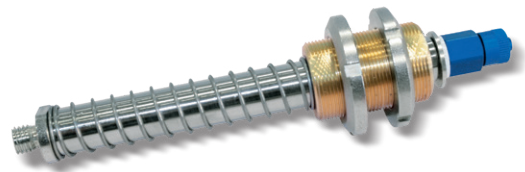
SPECIAL VACUUM CUP HOLDERS WITH MALE THREADED CONNECTORS

The actual springing stroke is:

- For height C= 55 mm 37 mm
- For height C= 110 mm 84 mm

3D drawings are available on vuotecnica.net

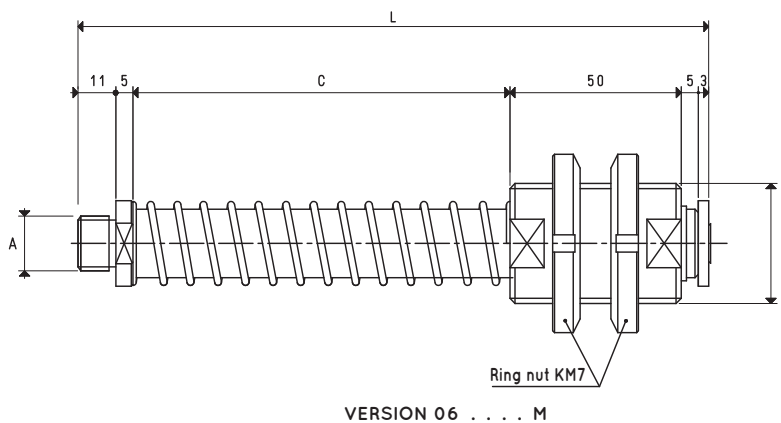
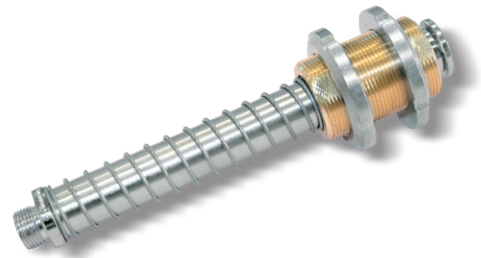
2



VACUUM CUP HOLDERS WITH STRAIGHT QUICK COUPLER FOR PLASTIC HOSE

Item	A	* C	F Ø	L	M	Int. hose Ø	Weight Kg
06 11 55 M	M12	55	M35 x 1.5	159	G1/4"	6	0.63
06 11 110 M	M12	110	M35 x 1.5	214	G1/4"	6	0.77
06 13 55 M	G1/2"	55	M35 x 1.5	159	G3/8"	9	0.63
06 13 110 M	G1/2"	110	M35 x 1.5	214	G3/8"	9	0.77

Note: To order vacuum cup holders with L fittings, add the letter L to the code.



Item	A	* C	F Ø	L	Weight Kg
06 14 55 M	M16	55	M35 x 1.5	129	0.52
06 14 110 M	M16	110	M35 x 1.5	184	0.65
06 15 55 M	M12	55	M35 x 1.5	129	0.52
06 15 110 M	M12	110	M35 x 1.5	184	0.65

Note: The vacuum cup holder is not equipped with an axial vacuum passage

Transformation ratio: N (newton) = Kg x 9.81 (force of gravity)

$$\text{inch} = \frac{\text{mm}}{25.4}; \text{pounds} = \frac{\text{g}}{453.6} = \frac{\text{Kg}}{0.4536}$$