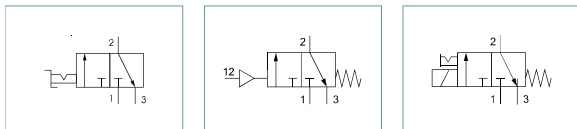




► Shut off valves (VL - VP - VE)



- 3/2 N.C. shut off valve
- Suitable for system downstream pneumatic feeding or exhaust
- Manual, pneumatic and electropneumatic operation available
- Up to 3off manual operation lockable device available (closed position)
- Atex certification (II 2GD or II 3GD)



| Technical characteristics | | Size | Size 1 | Size 2 | Size 3 | Size 4 | |
|--|-----------------|---|--------|--|--------|--|--|
| Body and connections type | | Technopolymer body, integrated technopolymer connections (T version) Technopolymer body, metal connections (N version) | | | | / | |
| | | / | | Aluminium body, integrated aluminium connections (P version) | | | |
| Operated type | | Manual Pneumatic Electropneumatic | | | | | |
| IN / OUT connections | T version | G1/4" | | G3/8" | | G1/2" | |
| | N version | G1/8" - G1/4" - 1/4" NPT | | G3/8" - G1/4" - 3/8" NPT | | G3/8" - G1/2" - 1/2" NPT | |
| | P and L version | not available | | G3/8" | | G1/2" | |
| Pilot connection | | G1/8" | | | | | |
| Exhaust connection | | G1/4" | | G3/8" | | G1/2" | |
| Assembly configuration | | Stand alone | | | | | |
| | | / | | | | Panel mounted | |
| Assembly positions | | Indifferent | | | | | |
| Max. fittings torque IN / OUT connections | | G1/8" metal: 15 Nm G1/4" metal: 20 Nm G1/4" technopolymer: 9 Nm | | G1/4" metal: 20 Nm G3/8" metal: 25 Nm G3/8" technopolymer: 16 Nm | | G3/8" metal: 25 Nm G1/2" metal: 30 Nm G1/2" technopolymer: 22 Nm | |
| | | | | | | G1/2" metal: 30 Nm G1" metal: 35 Nm | |

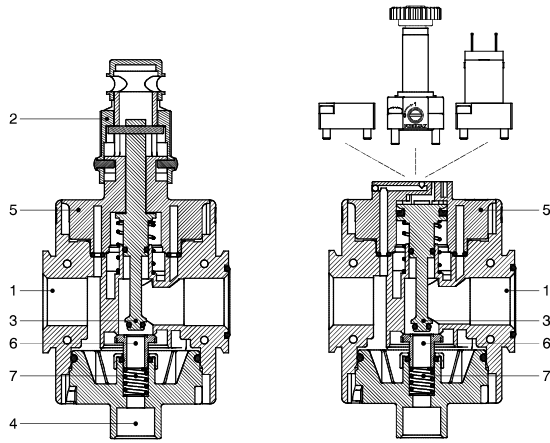
| Operational characteristics | | | | | | | | |
|---|------------------|-------------|---|--------------|----------------------|-------------|--|--------------|
| Size | Size 1 | Size 2 | Size 3 | Size 4 | Size 1 | Size 2 | Size 3 | Size 4 |
| Operator | Manual | | | | Pneumatic / Solenoid | | | |
| Maximum working pressure | 13 bar | | | 10 bar | | 10 bar | | |
| Minimum working pressure | 0,5 bar | | | | 2,5 bar | | | |
| Working temperature | -5 °C ... +50 °C | | | | -5 °C ... +50 °C | | | |
| | / | | 30°C ... +80°C (only for P version) -40 °C ... +80 °C (only for L version) | | / | | -30 °C ... +80 °C (only with metal body and pneumatic version) -40 °C ... +80 °C (only with metal body and pneumatic version) | |
| Nominal flow rate at 6 bar with Δp=1 (from 1 to 2) | 1400 NI/min | 2200 NI/min | 3600 NI/min | 15000 NI/min | 1400 NI/min | 2200 NI/min | 3600 NI/min | 15000 NI/min |
| Exhaust nominal flow rate at 6 bar with Δp=1 (from 2 to 3) | 550 NI/min | 1500 NI/min | | 3600 NI/min | 550 NI/min | 1500 NI/min | | 3600 NI/min |
| Un-conveyed exhaust nominal flow rate (from 2 to 3) | 1000 NI/min | 2500 NI/min | | 5000 NI/min | 1000 NI/min | 2500 NI/min | | 5000 NI/min |

| Weights | | | | | | | | |
|----------------------------|--------|-----------|----------------------|---------------------|--------|-----------|----------------------|---------------------|
| Size | Size 1 | | | | Size 2 | | | |
| Operator | Manual | Pneumatic | Solenoid M2 actuator | Solenoid 15 mm coil | Manual | Pneumatic | Solenoid M2 actuator | Solenoid 15 mm coil |
| Technopolymer body version | 110 g | 99 g | 140 g | 140 g | 190 g | 181 g | 210 g | 216 g |
| Aluminium body version | / | / | / | / | 270 g | 265 g | 298 g | 301 g |

| Size | Size 3 | | | | Size 4 | | | |
|----------------------------|--------|-----------|----------------------|---------------------|--------|-----------|----------------------|---------------------|
| Operator | Manual | Pneumatic | Solenoid M2 actuator | Solenoid 15 mm coil | Manual | Pneumatic | Solenoid M2 actuator | Solenoid 15 mm coil |
| Technopolymer body version | 250 g | 270 g | 310 g | 310 g | / | / | / | / |
| Aluminium body version | 400 g | 398 g | 429 g | 432 g | 1100 g | 1135 g | 1170 g | 1180 g |

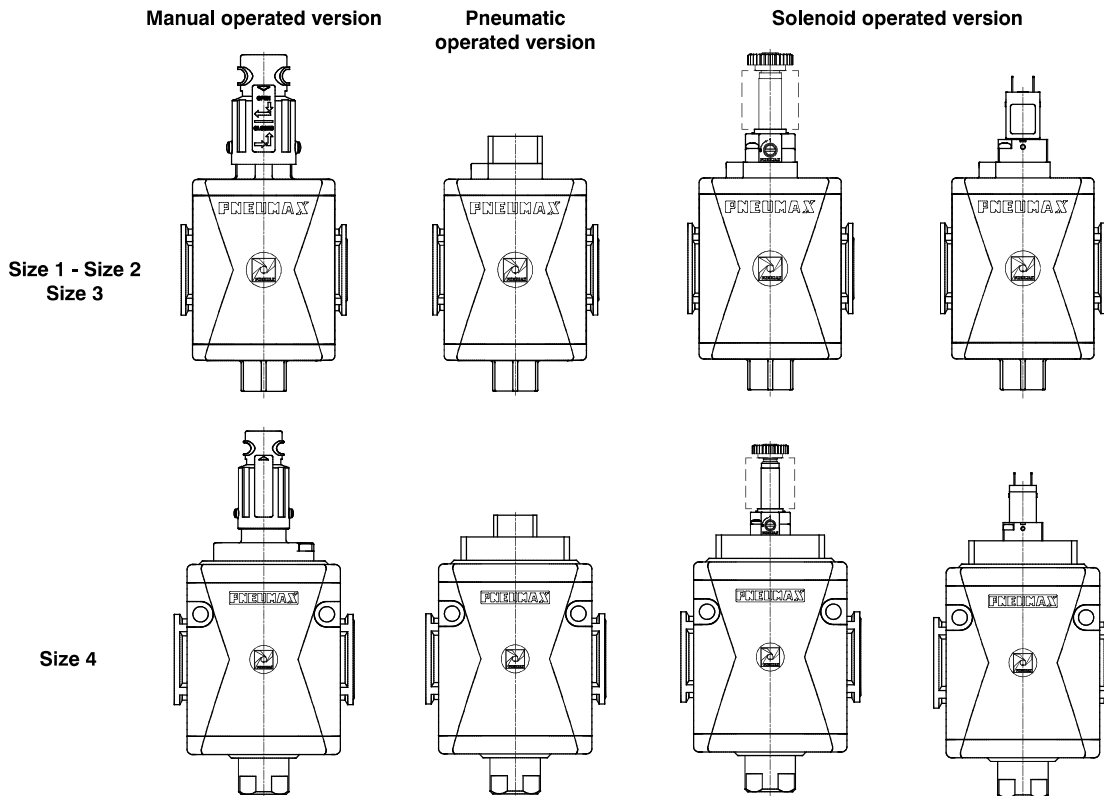
Materials

Exploded sectioned



| Shut off valve | | |
|----------------|----------------------|---------------------------------|
| 1 | Body | Polyamide Die-cast aluminium |
| 2 | Manual override | Polyamide |
| 3 | Drive pin Piston | Aluminium |
| 4 | Exhaust plug | Polyamide |
| 5 | Central support | Polyamide |
| 6 | Spool | Brass + NBR |
| 7 | Repositioning spring | Steel |

Design





Order codes

T 17 3B V E A5

| Version |
|--|
| N : Technopolymer body and metal inserts (not available for size 4) |
| T : Technopolymer body and thread (not available for size 4) |
| P : Aluminum body (not available for size 1) |
| L : Aluminium body, low temperature (not available for solenoid version) |

| Size and connections |
|---|
| 1A : Size 1 - G1/8" only for N version |
| 1B : Size 1 - G1/4" only for T - N versions |
| 1C : Size 1 - 1/4" NPT only for N version |
| 2A : Size 2 - G1/4" only for N version |
| 2B : Size 2 - G3/8" for all versions |
| 2C : Size 2 - 3/8" NPT only for N version |
| 3A : Size 3 - G3/8" only for N version |
| 3B : Size 3 - G1/2" for all versions |
| 3C : Size 3 - 1/2" NPT only for N version |
| 4B : Size 4 - G1" only for P - L versions |

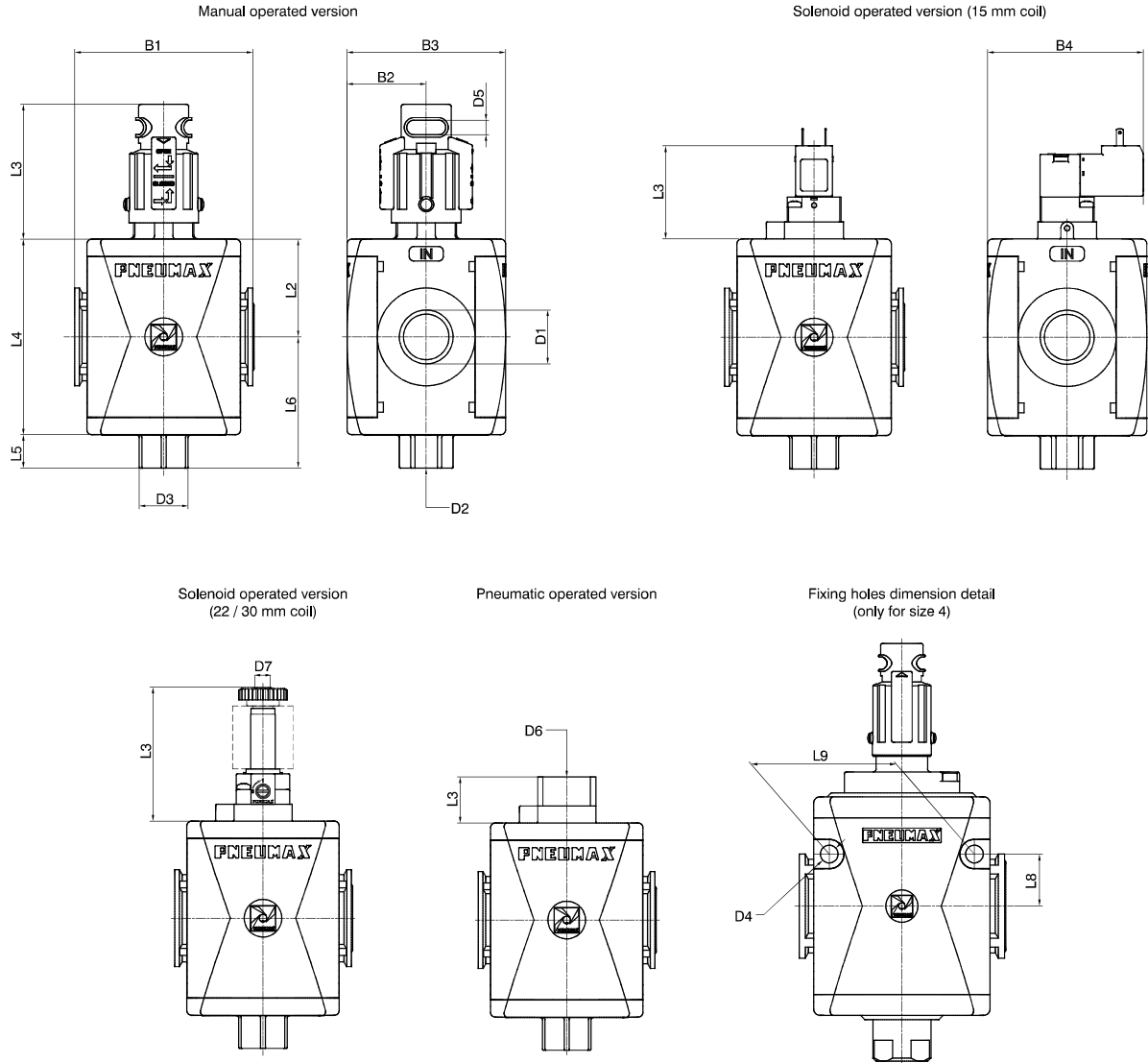
| Operator |
|---------------|
| L : Manual |
| P : Pneumatic |
| E : Solenoid |

| Coil options |
|---|
| 15 mm coil |
| A4 : 12 VDC |
| A5 : 24 VDC |
| A6 : 24 VAC (50-60 Hz) |
| A7 : 110 VAC (50-60 Hz) |
| A8 : 230 VAC (50-60 Hz) |
| A9 : 24 VDC (1 Watt) |
| 22 mm coil |
| B2 : Mechanical M2, without coil |
| B4 : 12 VDC |
| B5 : 24 VDC |
| B6 : 24 VAC (50-60 Hz) |
| B7 : 110 VAC (50-60 Hz) |
| B8 : 230 VAC (50-60 Hz) |
| B9 : 24 VDC (2 Watt) (Atex certification not available) |
| 30 mm coil |
| C5 : 24 VDC |
| C6 : 24 VAC (50-60 Hz) |
| C7 : 110 VAC (50-60 Hz) |
| C8 : 230 VAC (50-60 Hz) |
| C9 : 24 VDC (2 Watt) (Atex certification not available) |

Example : T173BVEA5 : Size 3 electric shut off valve G1/2", 15 mm coil, 24 VDC

Dimensions

AIR TREATMENT



| Model | B1 | B2 | B3 | B4 | D1 | D2 | D3 | D4 | D5 | D6 | D7 | L2 | L3 | | | | L4 | L5 | L6 | L8 | L9 |
|--------|----|------|----|------|----------------------------|-------|-------|-----|----|-------|----|------|--------|-----------|------------------------------|------------------------|-----|----|------|----|----|
| | | | | | | | | | | | | | Manual | Pneumatic | Solenoid coil 22 or 30 mm | Solenoid 15 mm coil | | | | | |
| #171.. | 48 | 21 | 42 | 52 | G1/8" G1/4" 1/4" NPT | G1/4" | Ch.17 | / | 6 | G1/8" | M5 | 27,5 | 55 | 19 | 57 | 37,5 | 55 | 11 | 38,5 | / | / |
| #172.. | 62 | 28,5 | 57 | 59,6 | G1/4" G3/8" 3/8" NPT | G3/8" | Ch.20 | / | 6 | G1/8" | M5 | 34 | 54,2 | 22 | 60 | 40,3 | 68 | 14 | 48 | / | / |
| #173.. | 73 | 32,5 | 65 | 63,6 | G3/8" G1/2" 1/2" NPT | G3/8" | Ch.20 | / | 6 | G1/8" | M5 | 40 | 55 | 19 | 57 | 37,4 | 80 | 14 | 54 | / | / |
| #174.. | 99 | 44 | 88 | 75 | G1" | G1/2" | Ch.25 | 8,5 | 6 | G1/8" | M5 | 52,5 | 71,5 | 27 | 67 | 45,5 | 105 | 22 | 74,5 | 25 | 70 |