

Inclined Lift Shock Absorbers



800.909.4988
info@rankinusa.com

RANKIN
COMPONENTS THAT AUTOMATE



SAD



Applications

Inclined lifts, cable cars

Closed system

No external tank required

Surface Protection

Housing: zinc plated / Piston rod: chrome plated

Security

Limit switch according DIN EN 50047

Temperature

-30°C - +50°C (-22°F - 122°F)

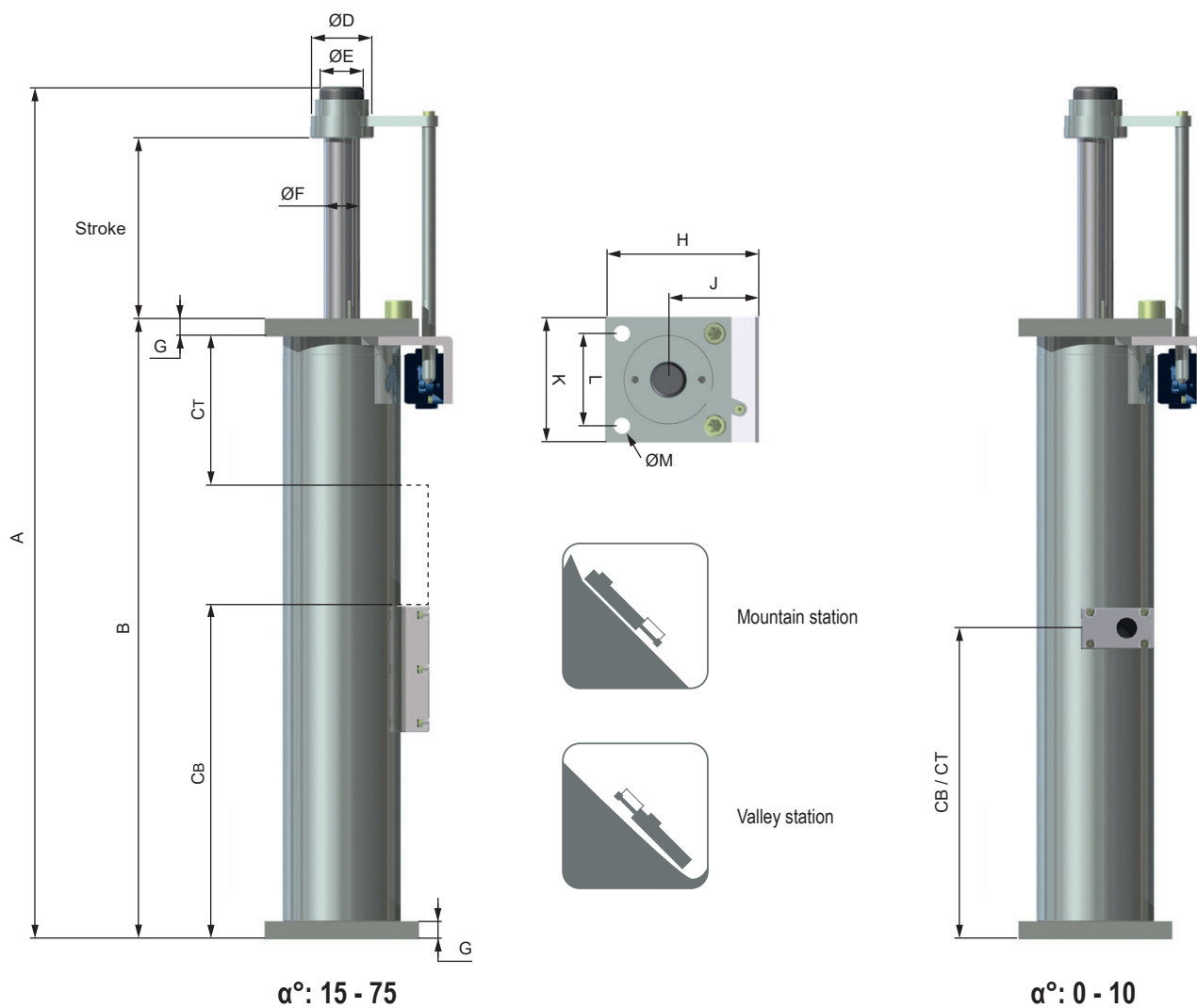
TÜV EC type-examination

DIN EN 81-22

RoHS - conform

Directive 2002/95/EC





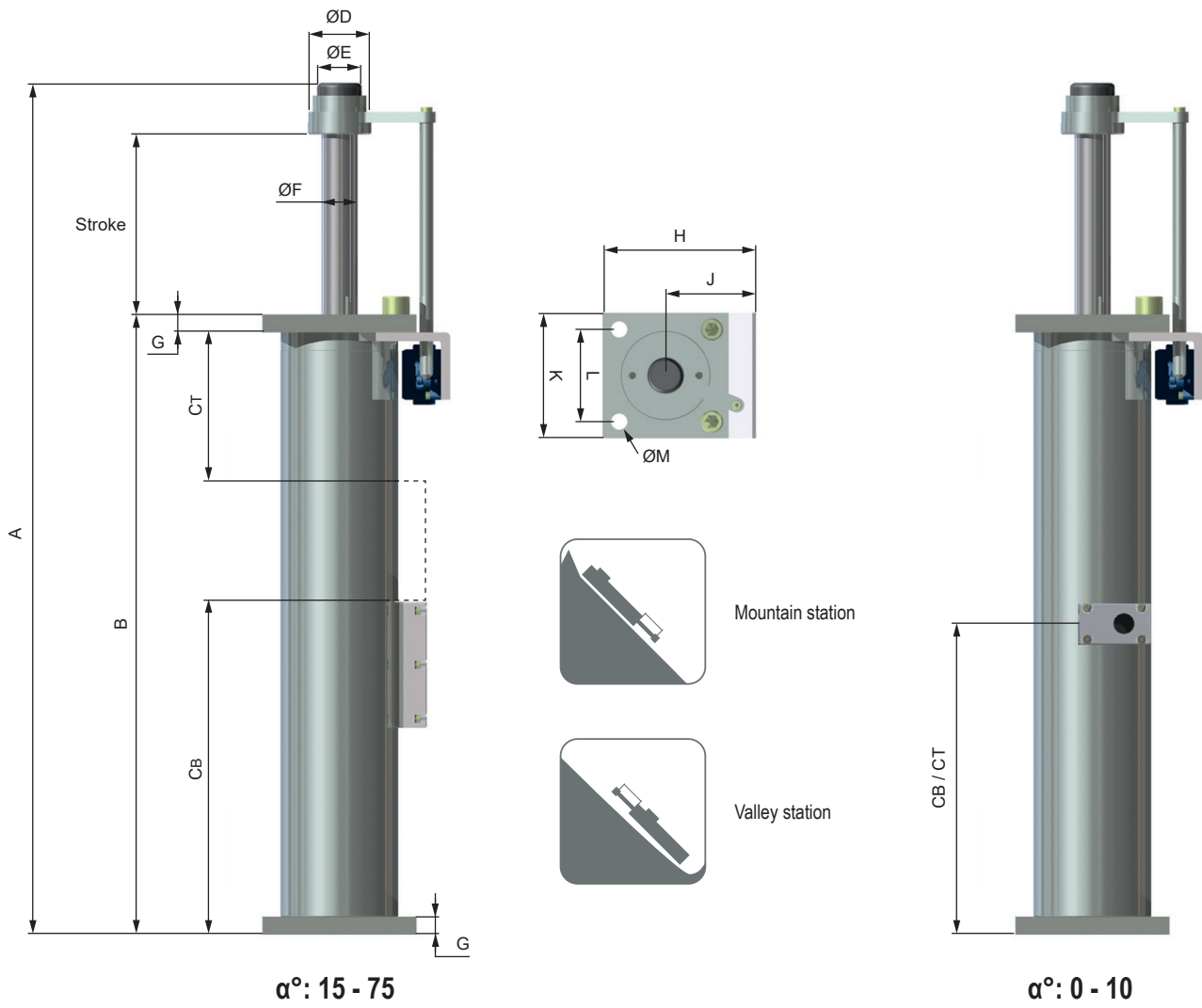
DIMENSIONS

A	B	D	E	F	G	H	J	K	L	M
mm (inch)										
1187 (46.73)	930 (36.61)	70 (2.76)	49 (1.93)	40 (1.57)	20 (0.79)	207 (8.15)	122 (4.8)	170 (6.69)	125 (4.92)	22 (0.87)

PERFORMANCE

Stroke mm (inch)	Mountain station CB		Valley station CT		max. Impact speed m/s (ft/s)	Mass (kg) at inclination angle (°)		
	mm (inch)	α°	mm (inch)	α°		α°	min. kg (min. lbs)	max. kg (max. lbs)
200 (7.87)	465 (18.31)	0	465 (18.31)	0	1,3 (4.27)	0	1574 (3471)	15740 (34707)
	465 (18.31)	5	465 (18.31)	5		5	1309 (2886)	13091 (28866)
	465 (18.31)	10	465 (18.31)	10		10	1122 (2474)	11217 (24733)
	525 (20.67)	15	385 (15.16)	15		15	983 (2168)	9831 (21677)
	525 (20.67)	20	385 (15.16)	20		20	877 (1934)	8773 (19344)
	325 (12.8)	25	185 (7.28)	25		25	794 (1751)	7944 (17517)
	325 (12.8)	30	185 (7.28)	30		30	728 (1605)	7284 (16061)
	325 (12.8)	35	185 (7.28)	35		35	675 (1488)	6750 (14884)
	325 (12.8)	40	185 (7.28)	40		40	631 (1391)	6315 (13925)
	325 (12.8)	45	185 (7.28)	45		45	596 (1314)	5958 (13137)
	325 (12.8)	50	185 (7.28)	50		50	566 (1248)	5664 (12489)
	325 (12.8)	55	185 (7.28)	55		55	542 (1195)	5424 (11960)
	325 (12.8)	60	185 (7.28)	60		60	523 (1153)	5228 (11528)
	325 (12.8)	65	185 (7.28)	65		65	507 (1118)	5070 (11179)
	325 (12.8)	70	185 (7.28)	70		70	495 (1091)	4947 (10908)
325 (12.8)	75	185 (7.28)	75	75	485 (1069)	4854 (10703)		

SAS-50-550

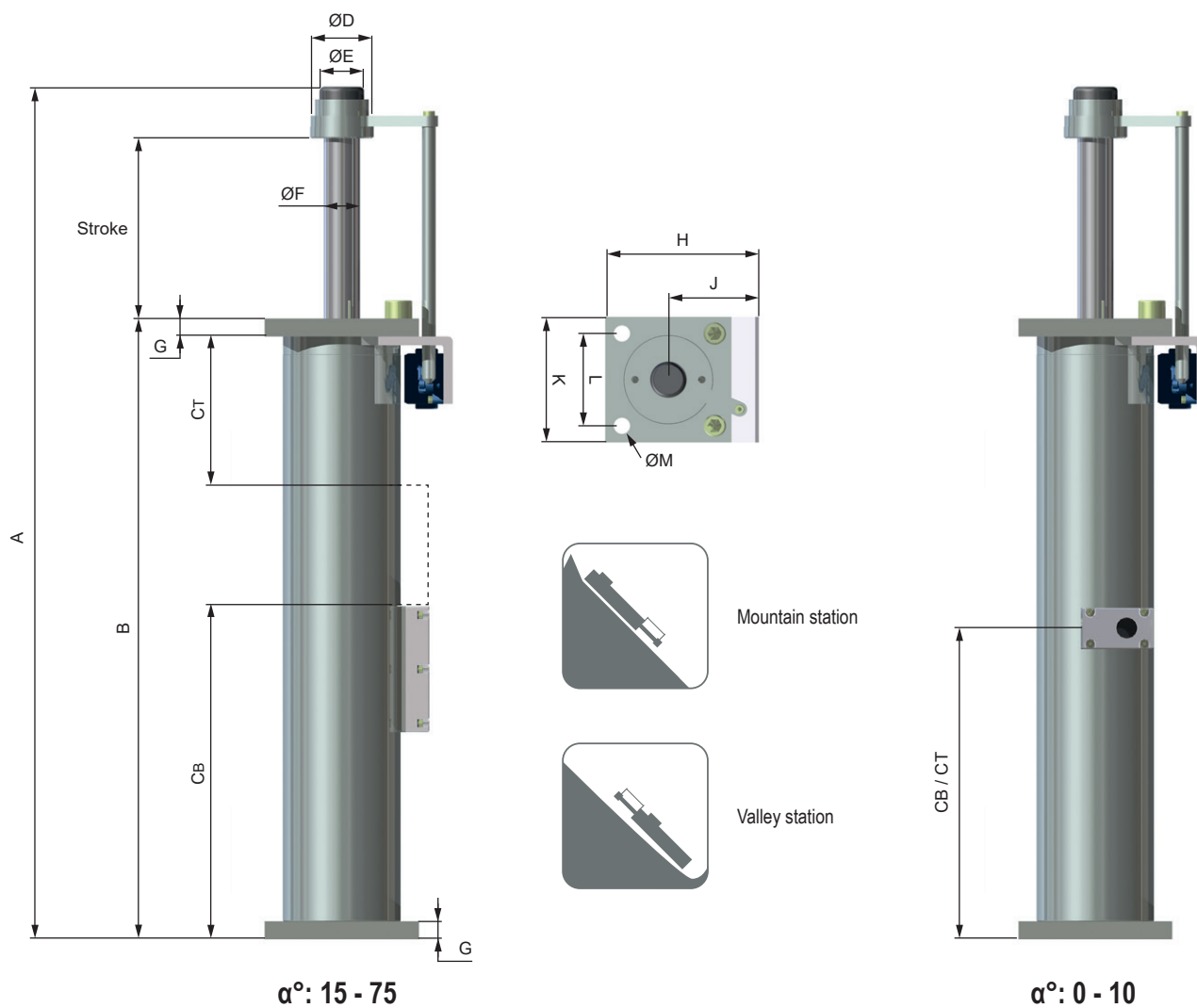


DIMENSIONS

A	B	D	E	F	G	H	J	K	L	M
mm (inch)										
1867 (73.5)	1260 (49.61)	70 (2.76)	49 (1.93)	40 (1.57)	20 (0.79)	207 (8.15)	122 (4.8)	170 (6.69)	125 (4.92)	22 (0.87)

PERFORMANCE

Stroke mm (inch)	Mountain station CB		Valley station CT		max. Impact speed m/s (ft/s)	Mass (kg) at inclination angle (°)		
	mm (inch)	α°	mm (inch)	α°		α°	min. kg (min. lbs)	max. kg (max. lbs)
550 (21.65)	630 (24.8)	0	630 (24.8)	0	2,3 (7.55)	0	1376 (3034)	13762 (30345)
	630 (24.8)	5	630 (24.8)	5		5	1168 (2576)	11684 (25763)
	630 (24.8)	10	630 (24.8)	10		10	1016 (2240)	10162 (22407)
	525 (20.67)	15	385 (15.16)	15		15	901 (1987)	9007 (19860)
	525 (20.67)	20	385 (15.16)	20		20	811 (1788)	8106 (17874)
	349 (13.74)	25	209 (8.23)	25		25	739 (1629)	7391 (16297)
	349 (13.74)	30	209 (8.23)	30		30	681 (1502)	6813 (15023)
	349 (13.74)	35	209 (8.23)	35		35	634 (1398)	6342 (13984)
	349 (13.74)	40	209 (8.23)	40		40	595 (1312)	5954 (13129)
	349 (13.74)	45	209 (8.23)	45		45	563 (1241)	5635 (12425)
	349 (13.74)	50	209 (8.23)	50		50	537 (1184)	5370 (11841)
	349 (13.74)	55	209 (8.23)	55		55	515 (1136)	5152 (11360)
	349 (13.74)	60	209 (8.23)	60		60	497 (1096)	4974 (10968)
	349 (13.74)	65	209 (8.23)	65		65	483 (1065)	4831 (10652)
	349 (13.74)	70	209 (8.23)	70		70	472 (1041)	4718 (10403)
	349 (13.74)	75	209 (8.23)	75		75	463 (1021)	4633 (10216)



DIMENSIONS

A	B	D	E	F	G	H	J	K	L	M
mm (inch)										
2867 (112.87)	1860 (73.23)	70 (2.76)	49 (1.93)	40 (1.57)	20 (0.79)	207 (8.15)	122 (4.8)	170 (6.69)	125 (4.92)	22 (0.87)

PERFORMANCE

Stroke mm (inch)	Mountain station CB		Valley station CT		max. Impact speed m/s (ft/s)	Mass (kg) at inclination angle (°)		
	mm (inch)	α°	mm (inch)	α°		α°	min. kg (min. lbs)	max. kg (max. lbs)
950 (37.40)	930 (36.61)	0	930 (36.61)	0	3.0 (9.84)	0	1120 (2470)	11200 (24696)
	930 (36.61)	5	930 (36.61)	5		5	949 (2093)	9488 (20921)
	930 (36.61)	10	930 (36.61)	10		10	824 (1817)	8238 (18165)
	635 (25)	15	495 (19.49)	15		15	729 (1607)	7292 (16079)
	635 (25)	20	495 (19.49)	20		20	656 (1446)	6556 (14456)
	459 (18.07)	25	319 (12.56)	25		25	597 (1316)	5973 (13170)
	459 (18.07)	30	319 (12.56)	30		30	550 (1213)	5502 (12132)
	459 (18.07)	35	319 (12.56)	35		35	512 (1129)	5119 (11287)
	459 (18.07)	40	319 (12.56)	40		40	480 (1058)	4804 (10593)
	459 (18.07)	45	319 (12.56)	45		45	454 (1001)	4545 (10022)
	459 (18.07)	50	319 (12.56)	50		50	433 (955)	4330 (9548)
	459 (18.07)	55	319 (12.56)	55		55	415 (915)	4154 (9160)
	459 (18.07)	60	319 (12.56)	60		60	401 (884)	4009 (8840)
	459 (18.07)	65	319 (12.56)	65		65	389 (858)	3893 (8584)
	459 (18.07)	70	319 (12.56)	70		70	380 (838)	3802 (8383)
459 (18.07)	75	319 (12.56)	75	75	373 (822)	3733 (8231)		